

Bead Ruptor™ 96

Well Plate Homogenizer

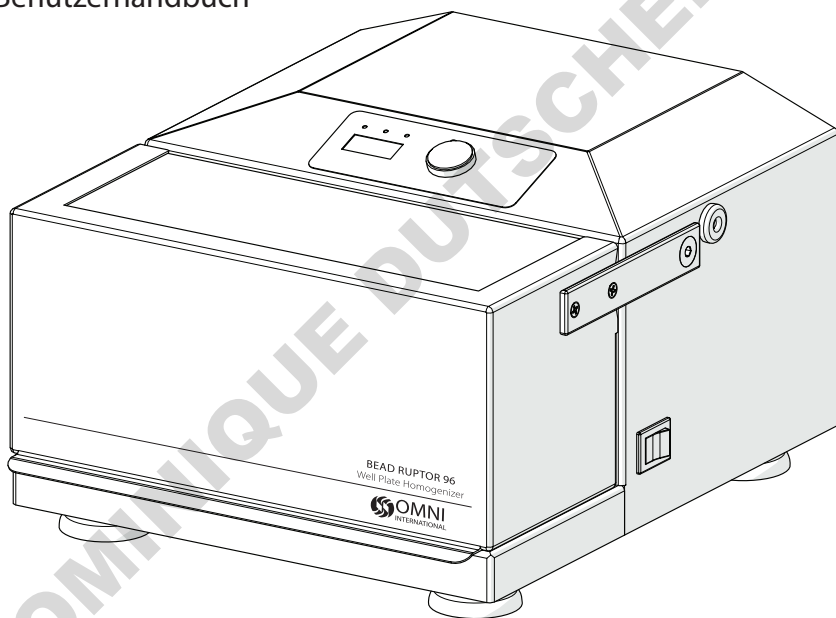
en User Manual

fr Manuel d'utilisation

it Manuale d'uso

es Manual del usuario

de Benutzerhandbuch



DOMINIQUE DUTSCHER SAS

Data herein has been verified and validated. It is believed adequate for the intended use of the instrument. If the instrument or procedures are used for purposes over and above the capabilities specified herein, confirmation of the validity and suitability should be obtained; otherwise OMNI International, a PerkinElmer company does not guarantee results and assumes no obligation or liability. This publication is not a license to operate under, or a recommendation to infringe upon, any process patents.

This product is warranted to be free from defects in material and workmanship for a period of ONE YEAR from the date of delivery. OMNI International, a PerkinElmer company will repair or replace and return free of charge any part which is returned to its factory within said period, transportation prepaid by user, and which is found upon inspection to have been defective in materials or workmanship. This warranty does not include normal wear from use; it does not apply to any instrument or parts which have been altered by anyone other than an employee of OMNI International, a PerkinElmer company nor to any instrument which has been damaged through accident, negligence, failure to follow operating instructions, the use of electric currents or circuits other than those specified on the plate affixed to the instrument, misuse, or abuse. OMNI International, a PerkinElmer company reserves the right to change, alter, modify, or improve any of its instruments without any obligation whatever to make corresponding changes to any instrument previously sold or shipped.

THE FORGOING OBLIGATION IS IN LIEU OF ALL OBLIGATIONS AND LIABILITIES INCLUDING NEGLIGENCE AND ALL WARRANTIES OF MERCHANTABILITY OR OTHERWISE, EXPRESSED OR IMPLIED IN FACT OR BY LAW, AND STATE OUR ENTIRE AND EXCLUSIVE LIABILITY AND BUYERS EXCLUSIVE REMEDY FOR ANY CLAIM OF DAMAGES IN CONNECTION WITH THE SALE OR FURNISHING OF GOODS OR PARTS, THEIR DESIGN, SUITABILITY FOR USE, INSTALLATION, OR OPERATION. OMNI International, a PerkinElmer company WILL IN NO EVENT BE LIABLE FOR ANY SPECIAL OR CONSEQUENTIAL DAMAGES WHATSOEVER, AND THEIR LIABILITY UNDER NO CIRCUMSTANCES WILL EXCEED THE CONTRACT PRICE FOR THE GOODS FOR WHICH LIABILITY IS CLAIMED.

This product has been engineered for safety; however, basic safety precautions and common sense must always be demonstrated when using any electrical product.

- DO NOT attempt to modify any part of this product.
- DO NOT allow the machine to be submerged in any liquid.
- DO NOT use in any setting other than an indoor laboratory.
- DO NOT plug power cord into an incorrect outlet or subject it to an incorrect voltage.
- Use this product only for its intended purpose.
- DO NOT use attachments not recommended by the manufacturer.
- DO NOT operate the product if it is damaged in any way.
- Keep this product away from heated surfaces.
- DO NOT modify the plug or cord that is provided. If the plug will not fit the outlet, have the proper outlet installed by a qualified electrician.
- DO NOT operate the product with the safety ground disconnected.

WARNING: The processing chamber of the Bead Ruptor™ 96 homogenizer is enclosed by a strong covering lid. Starting of the machine is possible only with the lid closed. If the lid is open, message "LID" appears on the display, when the START/STOP key is pressed. When message "LID" appears on display, the lid must be closed and the error message cleared by pressing the START/STOP key. The instrument can then be started by pressing the START/STOP key again. If the lid is opened during operation, the machine stops rapidly and message "Er3" appears on display. When message "Er3" appears on display, the machine cannot be restarted by pressing the START/STOP key. The main POWER switch must be turned to OFF and then ON again, to clear the message before instrument operation can proceed.

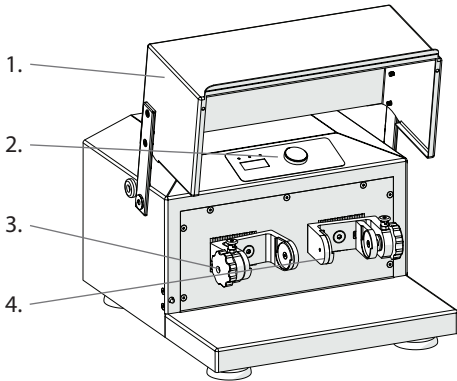
MILLING JAR FILL REQUIREMENTS

WARNING: The sample quantity must not be less than 25% of the milling jar capacity. The milling balls may otherwise damage the milling jars. The milling jars and milling balls must be the same material. Otherwise the milling jar could be damaged.

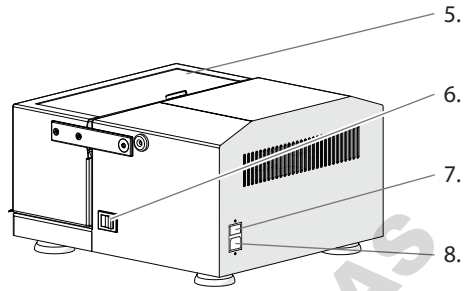
WARNING: The instrument must be balanced prior to operation. Do not operate the instrument with only one milling jar or one well plate adapter installed in a single milling jar holder. Both milling jar holders must have either a milling jar (filled with equivalent mass) or well plate adapters. If not balanced damage to the lid is possible.

For research use only. Not for use in diagnostic procedures.

Overview



1. Lid
2. Control Panel
3. Milling Jar holder (left)
4. Milling Jar holder (right)



5. Lid
6. On/Off Switch
7. Fuse Compartment
8. Power Cord Port

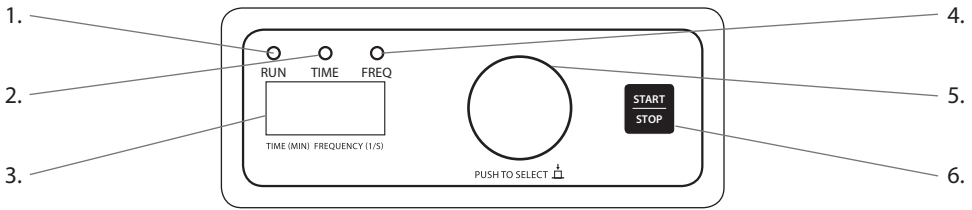
The Bead Ruptor™ 96 Homogenizer consists of the following:

Description	Quantity
Bead Ruptor™ 96 Homogenizer Assembly	1
Milling Wrench	2
Power Cord	1
Spare Fuse	1
User Manual	1

Technical Data

Power supply	230V ± 10% - 50/60Hz 115V ± 10% - 50/60Hz
Rated power	200W
Fuses	2 x 2AT 250V (230V) 2 x 5AT 250V (115V)
Vibrational frequency regulation	Digital, from 3 to 30 Hz (180 - 1800 min-1), in 0.1 Hz steps
Timer	5 sec - 99 min, timer HOLD function, in 1 sec steps (below 10 min), or 10 sec steps (above 10 min)
Max. volume of milling cups	50 ml
Max Well Plate Capacity per milling jar holder	1 X 2 ml deep well plate, 2 X 1 mL deep well plate, 3 X standard well plate, 96 1 x 1.1 or 1.4 ml 2D barcoded storage tubes.
Dimensions W x D x H	385 x 420 x 240 mm (465 mm with hood open)
Weight	42 kg
Noise emission (without milling balls)	70 dB(A)
Ambient temperature	5°C - 40°C
Atmospheric humidity	< 85% RH

Control Panel

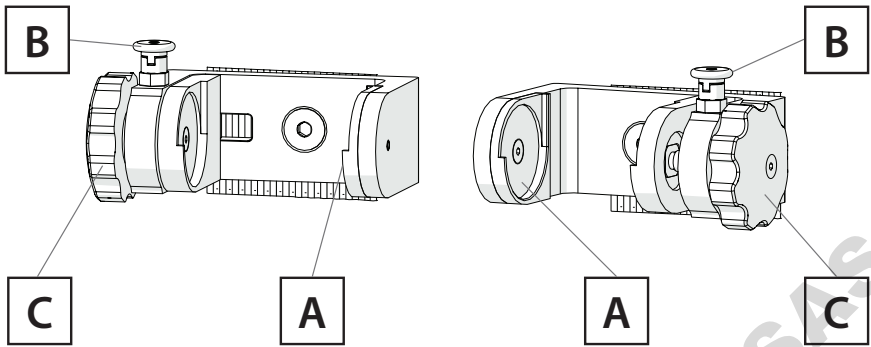


- | | |
|----------------------|---------------------------|
| 1. Run signal light | 4. Frequency signal light |
| 2. Time signal light | 5. Control Knob |
| 3. Display Screen | 6. Start/Stop button |

- **RUN** Signal light (green) - lit when the Bead Ruptor™ 96 Homogenizer is running.
- **TIME** Signal light (yellow) - lit when the Bead Ruptor™ 96 Homogenizer timer selection is active.
- **FREQUENCY** Signal light (yellow) - lit when the Bead Ruptor™ 96 Homogenizer frequency selection is active. Frequency is defined as number of wave cycles per second (1/s). Measured in Hz.
- **CONTROL KNOB** (rotate / push) - rotate right (+) Or left (-) to change the Time or Frequency setting values. Push the Control Knob to switch between Time and Frequency settings.
- **START/STOP** button - press to start or stop the cycle.

WARNING: Only start the Bead Ruptor™ 96 Homogenizer with the lid in the closed position. The display will read "LID" if the lid is open when attempting to start. Always start and stop the Bead Ruptor™ 96 with the Start/Stop button.

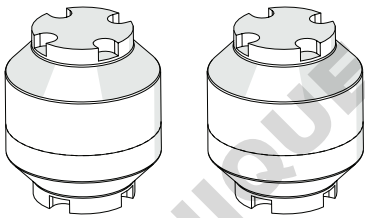
Milling Jar and Rack Holders



A. Centering Points

B. Locking Pin

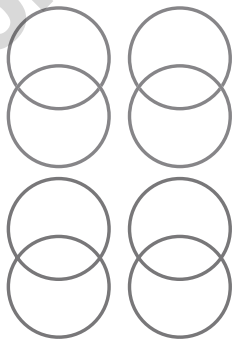
C. Knob



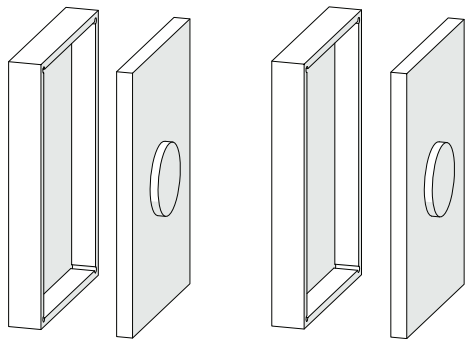
Milling Jars



Jar Wrenches



O-Rings



96 Well Plate And 2D Barcode 96 Well
Storage Tube Adapters

Inserting Milling Jars

- Fill milling jar with material to be milled. Ensure the two-white o-rings are in place prior to sealing jars.
- Lift the locking pin (B) upwards from the groove and turn it 90° in any direction to unlock.
- Turn the knob (C) counter clockwise all the way to maximize clamping range.
- Turn locking pin 90° and allow it to reengage in locked position.
- Place the milling jar into the milling jar arm and seat it into centering points (A).
- Gently turn knob (C) clockwise until the milling jar fits firmly inside the holder, free of play.
- To remove the milling jar, lift the locking pin (B) and turn it 90° to unlock and turn the knob (C) counter clockwise to loosen. If locking pin is difficult to release turn knob (C) slightly clockwise to release locking pin tension.

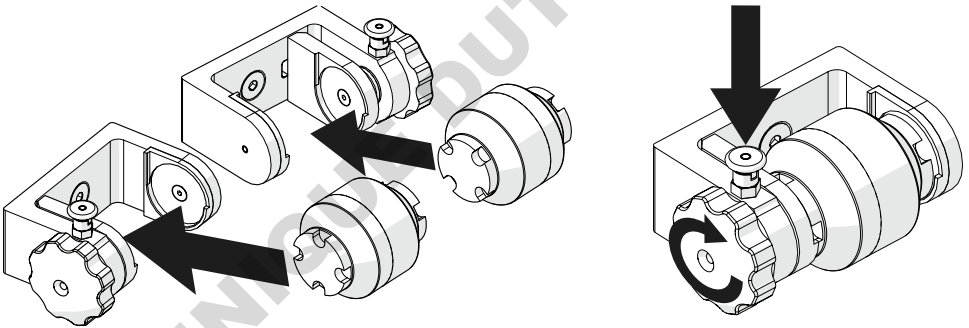
WARNING: Always include an O-Ring when a Milling Jar is assembled to run.

WARNING: Do not force locking pin (B) open. Turn knob (C) clockwise to release.

WARNING: Milling jars must be inserted and aligned with centering points (A). If this is not done jars may be ejected during processing.

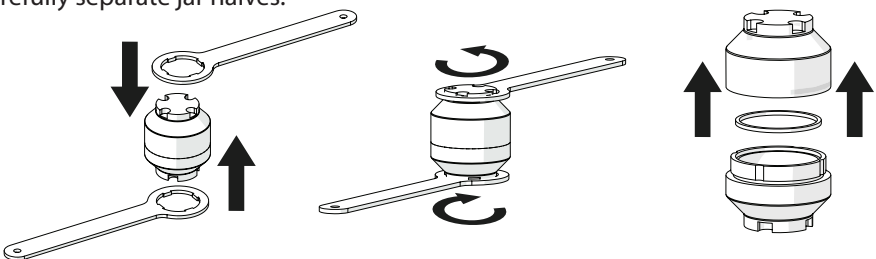
WARNING: When removing hot or cryogenically cooled milling jars always wear protective gloves.

WARNING: It is unlawful to mill flammable or explosive material.



Opening Milling Jars

- Obtain two milling jar wrenches
- Place one milling jar wrench on each end of the milling jar
- Turn one wrench counterclockwise while securing the other wrench from moving to loosen jar seal.
- Carefully separate jar halves.



Inserting Well Plate Adapters

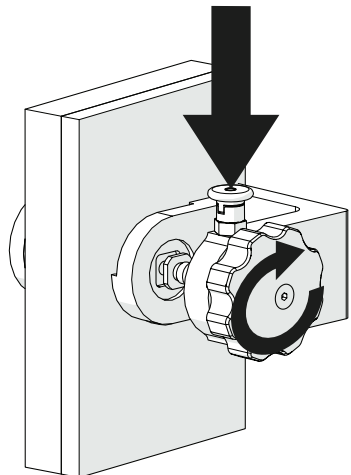
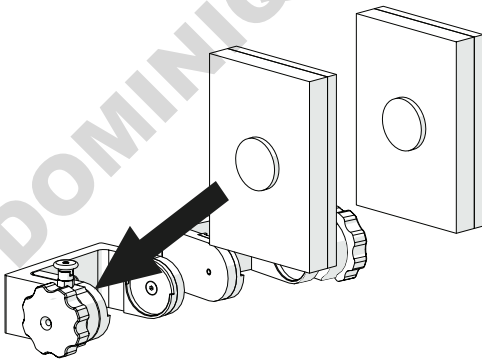
- Bead Ruptor™ 96 Homogenizer well plate adapters can hold 1 X 2 mL deep well plate, 2 X 1 mL deep well plates or 3 X standard well plates per processing arm.
- 96 well 2D barcode storage tube adapters can hold 1 x 1.1 ml or 1 x 1.4 ml plates per processing arm.
- Place samples and beads in the well plate.
- Fully seal the well plate with well plate mat. Care must be taken to ensure the well plate is properly sealed. A silicon mat is recommended.
- If processing multiple well plates, stack the well plates bottom to top.
- Place the well plate adapters on the top and bottom of the well plate stack. Ensure the adapter extensions are aligned.
- Lift the locking pin (B) upwards from the groove and turn it 90° in any direction to unlock.
- Turn the knob (C) counter clockwise all the way to maximize clamping range.
- Turn locking pin 90° and allow it to reengage in locked position.
- Place the well plate adapter into the milling jar arm and seat it into centering points (A). Gently turn knob (C) clockwise until the well plate adapter fits firmly inside the holder, free of play.
- To remove the well plates, lift the locking pin (B) and turn it 90° to unlock and turn the knob (C) counter clockwise to loosen. If locking pin is difficult to release, turn knob (C) slightly clockwise to release locking pin tension.

WARNING: Do not force locking pin (B) open. Turn knob (C) clockwise to release.

WARNING: Well plates and adapters must be inserted and aligned with centering points (A). If this is not done the well plates may be ejected during processing.

WARNING: Milling arms must be balanced prior to operation. You must always operate with two well plate adapters. One in each arm.

WARNING: The Bead Ruptor™ 96 only accepts SPS format plates less than 49.25 mm high.



Safety instructions when working with Liquid Nitrogen

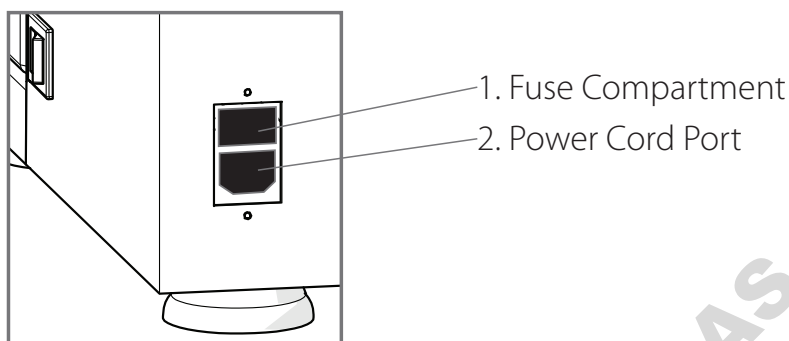
The Bead Ruptor™ 96 Homogenizer can be operated with liquid nitrogen for cryogenic milling of milling jars. Milling jars can be pre-cooled in a liquid nitrogen bath then placed on the Bead Ruptor™ 96 Homogenizer for dissociation of tough materials. Cooling times and processing times will be dependent on target material. It is highly recommended that you follow the safety instructions for handling liquid nitrogen provided by your liquid nitrogen provider.

WARNING: Always wear protective gloves and goggles when working with liquid nitrogen. Liquid nitrogen has a temperature of -196°C and will cause severe burns and frostbite with skin or eye contact.

Accessories

Milling Jars	Order Number
Stainless Steel 25 mL - set of two	27-004
Stainless Steel 50 mL - set of two	27-006
Grinding Balls	
10 mm stainless - set of ten	27-203
25 mm stainless - set of five	27-206
Well Plate and Tube Adapters	
Stainless Steel - set of two	27-101
PTFE - set of two. (Holds 48 x 0.5 - 2 mL microcentrifuge or screw cap tubes)	27-106
96 Well 2D Barcode Storage Tube Adapters	
Micronic/FluidX 1.1 and 1.4 mL with septum style caps.	27-107
Thermo Fisher Scientific Matrix 1.1 mL, Micronic 1.1 mL, 1.4 mL and FluidX 1.1 and 1.4 mL storage tubes with septum style caps.	27-108
2 mL Stainless Steel Tubes - set of two tubes with slugs	19-6001

Replacing the Fuse



The following fuses are required for the Bead Ruptor™ 96 Homogenizer:

- 2 x 2AT 250V (230V)
- 2 x 5AT 250V (115V)
- Unplug power cord from the power cord port (2).
- By pressing the locking device on the bottom side of the fuse compartment (1), fuse holder is released and you can pull it out.
- Replace fuses.
- Insert fuse holder and push it, until it locks.

Troubleshooting

Error	Possible Solution
Power Switch is not illuminated when the Bead Ruptor™ 96 Homogenizer is on.	1. Check the power supply 2. Check fuses and replace if necessary 3. Call for service
Display screen is not working	Call for service
"LID" appears on display	Indicates that the lid is open when the start button was pressed. Close lid and clear message by pressing the Start/Stop button. Press Start/Stop to begin cycle.
Message "Er1" appears on display screen	Motor has over heated. Turn power off and allow motor to cool down.
Message "Er2" appears on display screen	The Bead Ruptor™ 96 Homogenizer is unable to reach the set vibrational frequency. Check Milling Jars for obstructions. Switch Power OFF and ON to clear error message.
Message "Er3" appears on display screen	Lid was opened during operation. The power must be turned OFF and then ON to clear error message before operation can continue.

DO NOT: attempt to service the Bead Ruptor™ 96 Homogenizer in a manner other than those discussed in this manual. For any issue that is unsuccessfully corrected using this guide, please contact your authorized dealer or call OMNI International, a PerkinElmer company at 1-800-776-4431.

fr

Les données dans la présente ont été vérifiées et validées. Nous estimons qu'elles sont adéquates pour l'utilisation prévue de l'instrument. Si l'instrument ou les procédures sont utilisées à des fins au-delà et au-dessus des capacités spécifiées dans la présente, la confirmation de la validité et de la pertinence doit être obtenue ; sinon OMNI International, a PerkinElmer company ne garantira pas les résultats et n'assumera aucune obligation ni responsabilité. Cette publication ne constitue pas une licence d'utilisation, ni une recommandation de violer des brevets de procédés. Ce produit est garanti exempt de défauts de matériaux et de fabrication pendant une période d'UN AN à compter de la date de livraison. OMNI International, a PerkinElmer company réparera ou remplacera et retournera gratuitement toute pièce qui est retournée à son usine pendant ladite période, le transport ayant été payé par l'utilisateur, et dont les défauts de matériaux et de fabrication ont été constaté par une inspection. Cette garantie ne couvre pas l'usure normale résultant de l'utilisation du produit ; elle ne s'applique pas aux instruments ni aux pièces qui ont été modifiés par quiconque autre qu'un employé d'OMNI International, a PerkinElmer company, ni à tout instrument qui a été endommagé par accident, négligence, non-respect des consignes d'utilisation, l'utilisation de courants électriques ou de circuits autres que ceux indiqués sur la plaque apposée sur l'instrument, par une mauvaise utilisation ou un abus. OMNI International, a PerkinElmer company se réserve le droit de changer, d'altérer, de modifier ou d'améliorer n'importe lequel de ses instruments sans aucune obligation que ce soit à apporter des modifications correspondantes à tout instrument vendu ou expédié.

LA PRÉSENTE OBLIGATION REMPLACE TOUTE AUTRE OBLIGATION ET RESPONSABILITÉ, Y COMPRIS LA NÉGLIGENCE ET TOUTE AUTRE GARANTIE DE QUALITÉ MARCHANDE OU AUTREMENT, EXPRESSE OU IMPLICITE EN FAIT OU EN DROIT, ET AFFIRME NOTRE ENTIÈRE ET EXCLUSIVE RESPONSABILITÉ ET LE RECOURS EXCLUSIF DES ACHETEURS POUR TOUTE DEMANDE DE DOMMAGES DANS LE CADRE DE LA VENTE OU FOURNITURE DE BIENS OU DE PIÈCES, LEUR CONCEPTION, PERTINENCE POUR UTILISATION, INSTALLATION OU FONCTIONNEMENT. OMNI INTERNATIONAL NE SERA EN AUCUN CAS RESPONSABLE DE DOMMAGES PARTICULIERS OU INDIRECTS QUELS QU'ILS SOIENT, ET SA RESPONSABILITÉ EN AUCUN CAS NE DÉPASSERA LE PRIX PRÉVU DANS LE CONTRAT POUR LES PRODUITS POUR LESQUELS LA RESPONSABILITÉ EST REVENDIQUÉE.

Ce produit a été mis au point en tenant compte de la sécurité de l'opérateur ; toutefois, toujours suivre des précautions de sécurité de base et faire preuve de bon sens lors de l'utilisation de produits électriques.

- NE PAS essayer de modifier des pièces de ce produit.
- NE PAS submerger la machine dans un liquide.
- NE PAS utiliser d'autres milieux qu'un laboratoire intérieur.
- NE PAS brancher le cordon d'alimentation dans une prise inadéquate ni le soumettre à une tension incorrecte.
- Utiliser ce produit uniquement pour l'usage auquel il est destiné.
- NE PAS utiliser des accessoires non recommandés par le fabricant.
- NE PAS faire fonctionner le produit s'il a subi un dommage d'une manière ou d'une autre.
- Tenir le produit à l'écart de surfaces chauffées.
- NE PAS modifier la fiche ou le cordon fournis. Si la fiche ne correspond pas à la prise, demander à un électricien qualifié d'installer une prise adéquate.
- NE PAS faire fonctionner le produit avec le dispositif de mise à la terre débranché.

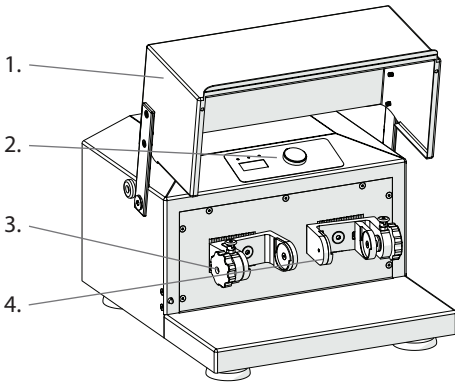
AVERTISSEMENT : La chambre de traitement du Bead Ruptor™ 96 est fermée au moyen d'un solide couvercle la recouvrant. Le démarrage de la machine est possible seulement si le couvercle est fermé. Si le couvercle est ouvert, le message « LID » (couvercle) apparaîtra à l'écran, lorsque la touche START/STOP (Commencer / Arrêter) est pressée. Lorsque le message « LID » apparaît à l'écran, le couvercle doit être fermé et le message d'erreur effacé en appuyant sur la touche START/STOP. On peut alors démarrer l'instrument en appuyant à nouveau sur la touche START/STOP. Si le couvercle est ouvert au cours du fonctionnement de la machine, la machine s'arrêtera rapidement et le message « Er3 » apparaîtra à l'écran. Lorsque le message « Er3 » apparaît à l'écran, la machine ne peut pas être redémarrée en appuyant sur la touche START/STOP. L'interrupteur principal d'ALIMENTATION doit être mis sur la position OFF et ensuite à nouveau sur ON pour effacer le message avant que l'instrument puisse se remettre à fonctionner.

EXIGENCES CONCERNANT LE REMPLISSAGE DU BOL DE BROYAGE

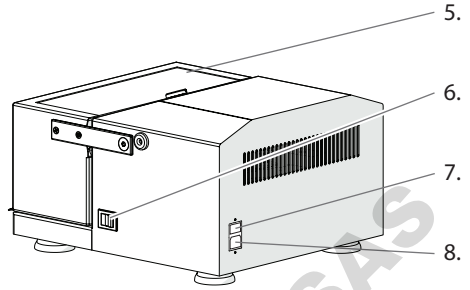
AVERTISSEMENT : La quantité de l'échantillon ne doit pas être inférieure à 25 % de la capacité du bol de broyage. Sinon, les billes de broyage risquent d'endommager les bols de broyage. Les bols de broyage et les billes de broyage doivent être faits du même matériau. Sinon, les bols de broyage pourraient être endommagés.

AVERTISSEMENT : L'instrument doit être équilibré avant de le faire fonctionner. Ne pas faire fonctionner l'instrument avec seulement un bol de broyage ou un adaptateur de plaque multipuits installé dans un seul support de bol de broyage. Les deux supports de bol de broyage doivent avoir chacun un bol de broyage (chacun rempli de masse équivalente) ou des adaptateurs de plaque multipuits. Si l'instrument n'est pas équilibré, le couvercle risque d'être endommagé.

Overview



1. Couvercle
2. Panneau de commande
3. Support de bol de broyage (gauche)
4. Support de bol de broyage (droit)



5. Couvercle
6. Interrupteur ON/OFF
7. Compartiment à fusibles
8. Port du cordon d'alimentation

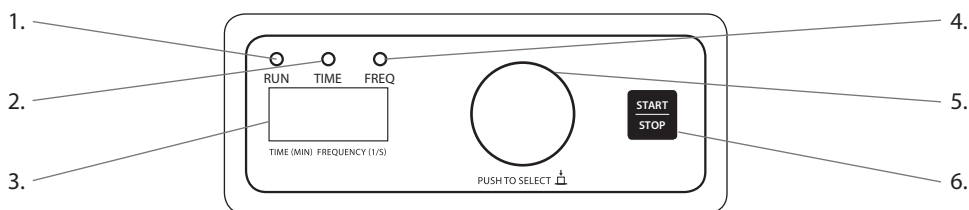
Le Bead Ruptor™ 96 est composé des éléments suivants :

Description	Quantité
Ensemble Bead Ruptor™ 96	1
Cordon d'alimentation	1
Fusible de rechange	1
Manuel d'utilisation	1

Données techniques

Alimentation électrique	230 V ± 10 % - 50/60 Hz 115 V ± 10 % - 50/60 Hz
Puissance nominale	200 W
Fusibles	2 x 2 AT 250 V (230 V) 2 x 5 AT 250 V (115 V)
Réglage de la fréquence de vibration	Numérique, de 3 à 30 Hz (180 - 1800 min ⁻¹), en intervalles s de 0,1 Hz
Minuterie	5 s – 99 min, fonction EN ATTENTE de la minuterie, en intervalles d'1 seconde (moins de 10 min) ou en intervalles de 10 s (plus de 10 min)
Volume max. des bols de broyage	50 ml
Capacité max de plaques multipuits par support de bol de broyage	1 x plaque multipuits de 2 ml de profondeur, 2 x plaques multipuits de 1 ml de profondeur, 3 x plaques multipuits standard
Dimensions La x P x H	385 x 420 x 240 mm (465 mm avec couvercle ouvert)
Poids	42 kg
Émission de bruit (sans billes de broyage)	70 dB(A)
Température ambiante	5°C - 40°C
Humidité atmosphérique	< 85% RH

Panneau de commande

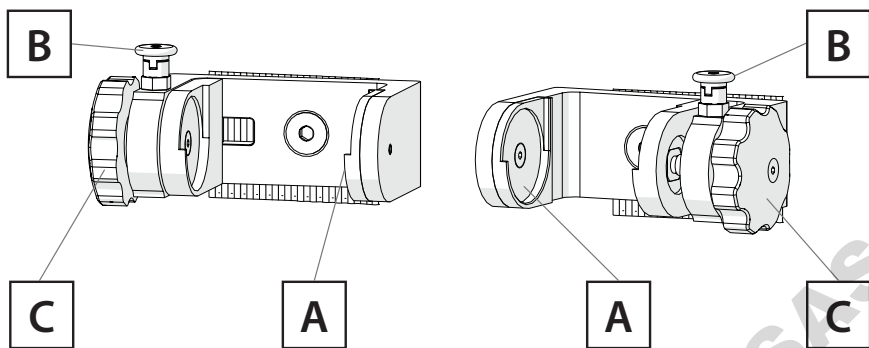


- | | |
|----------------------|------------------------|
| 1. Voyant de marche | 4. Voyant de fréquence |
| 2. Voyant de durée | 5. Bouton de commande |
| 3. Écran d'affichage | 6. Touche Start/Stop |

- **Voyant MARCHÉ** (vert) – allumé lorsque le Bead Ruptor™ 96 est en marche.
- **Voyant DURÉE** (jaune) – allumé lorsque la sélection de la minuterie du Bead Ruptor™ 96 est active.
- **Voyant FRÉQUENCE** (jaune) – allumé lorsque la sélection de la fréquence du Bead Ruptor™ 96 est active. La fréquence est définie comme le nombre d'oscillations par seconde (1/s). Mesuré en Hz.
- **BOUTON DE COMMANDE** (tourner / pousser) – tourner vers la droite (+) Ou vers la gauche (-) pour modifier les valeurs de réglage de la durée ou de la fréquence. Pousser sur le bouton de commande pour passer des réglages de la durée aux réglages de la fréquence.
- Touche **START/STOP** – appuyer sur cette touche pour commencer ou arrêter le cycle.

AVERTISSEMENT : Démarrer le Bead Ruptor™ 96 seulement lorsque le couvercle est dans la position fermée. L'écran affichera « LID » si le couvercle est ouvert au cours d'une tentative de démarrage. Toujours démarrer et arrêter le Bead Ruptor™ 96 à l'aide de la touche Start/Stop.

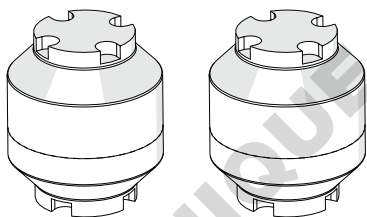
Supports de bols de broyage et portoirs



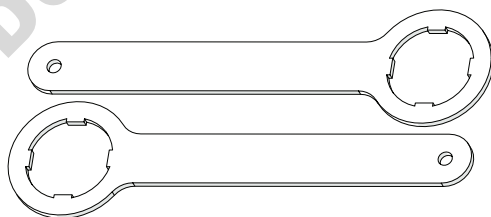
A. Points de centrage

B. Goupille de verrouillage

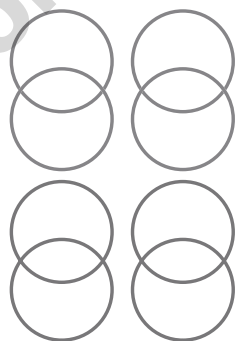
C. Molette



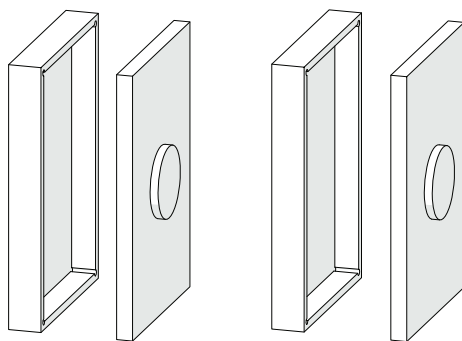
Bols de broyage



Clés de bol



Joints toriques



Adaptateurs de plaque multipuits

Comment insérer les bols de broyage

- Remplir le bol de broyage de matières à broyer. S'assurer que les deux joints toriques sont en place avant de sceller les bols.
- Soulever la goupille de verrouillage (B) vers le haut à partir de la rainure, et la faire pivoter de 90° ans n'importe quel sens pour déverrouiller.
- Tourner la molette (C) à fond dans le sens contraire des aiguilles d'une montre pour maximiser la plage de serrage.
- Faire pivoter la goupille de verrouillage de 90° et lui permettre de se réengager en position verrouillée.
- Mettre le bol de broyage dans le bras de bol de broyage et le placer dans les points de centrage (A).
- Tourner doucement la molette (C) dans le sens des aiguilles d'une montre jusqu'à ce que le bol de broyage soit fermement ajusté à l'intérieur du support, sans jeu.
- Pour enlever le bol de broyage, soulever la goupille de verrouillage (B) vers le haut et la faire pivoter de 90° pour déverrouiller et tourner la molette (C) dans le sens contraire des aiguilles d'une montre pour desserrer. Si la goupille de verrouillage est difficile à dégager, tourner la molette (C) légèrement dans le sens des aiguilles d'une montre pour relâcher la tension de la goupille de verrouillage.

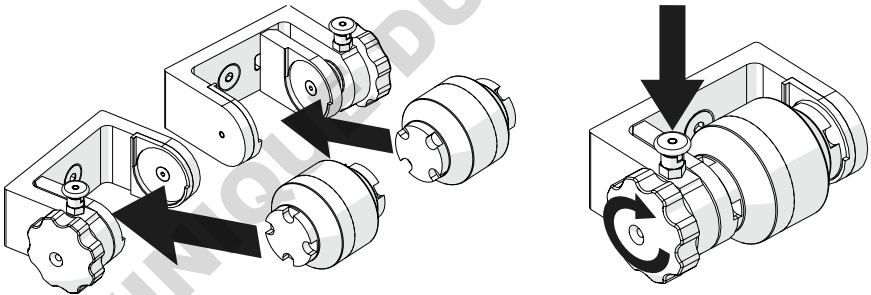
AVERTISSEMENT: toujours inclure un joint torique lorsqu'un pot de fraise est assemblé pour fonctionner.

AVERTISSEMENT : Ne pas forcer la goupille de verrouillage pour la dégager (B). Tourner la molette (C) dans le sens des aiguilles d'une montre pour dégager la goupille.

AVERTISSEMENT : Les bols de broyage doivent être insérés et alignés sur les points de centrage (A). Si cela n'est pas fait, les bols risquent d'être éjectés au cours du traitement.

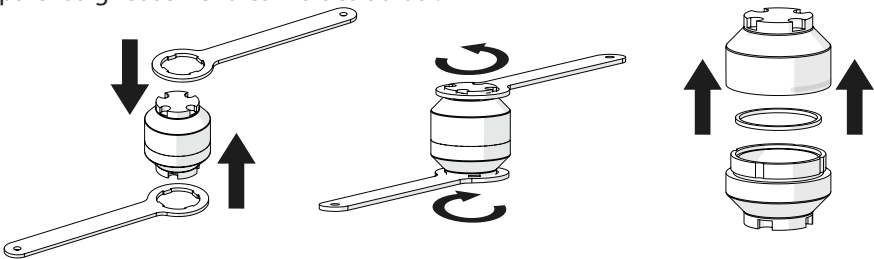
AVERTISSEMENT : Toujours porter des gants de protection lors du retrait de bols de broyage chauds ou refroidis cryogéniquement.

AVERTISSEMENT : Il est interdit de broyer des matières inflammables ou explosives.



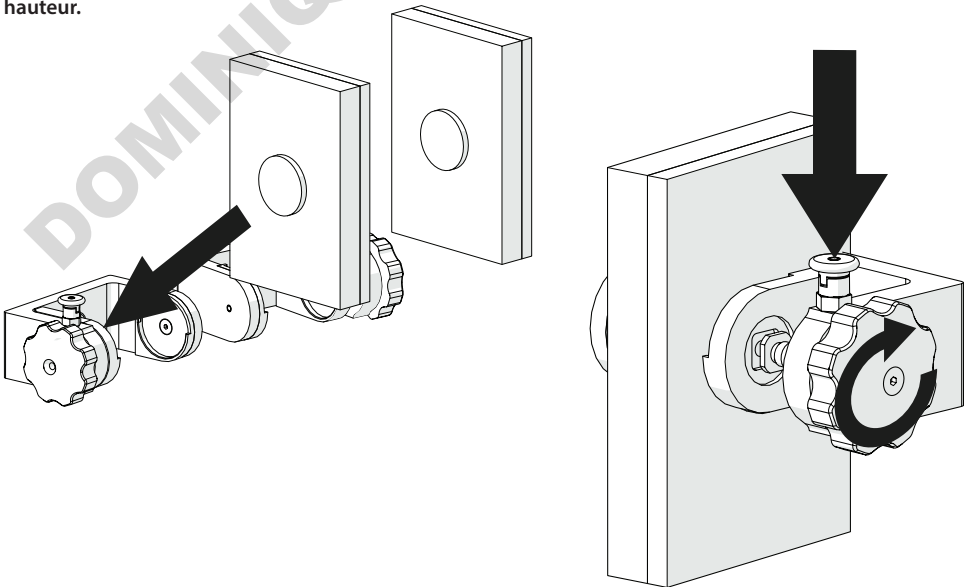
Comment ouvrir les bols de broyage

- Se procurer deux clés de bols de broyage
- Placer une clé de bol de broyage sur chaque extrémité du bol de broyage
- Tourner une clé dans le sens contraire des aiguilles d'une montre tout en empêchant l'autre clé de bouger afin de desserrer le joint du bol.
- Séparer soigneusement les moitiés du bol.



Comment insérer les adaptateurs de plaque multipuits

- Les adaptateurs de plaque multipuits du Bead Ruptor™ 96 peuvent tenir 1 x plaque multipuits de 2 ml de profondeur, 2 x plaques multipuits de 1 ml ou 3 x plaques multipuits standard par bras de traitement.
 - Placer les échantillons et les billes dans la plaque multipuits.
 - Sceller entièrement la plaque multipuits à l'aide de mat de plaque. Veiller à ce que la plaque multipuits soit correctement scellée. Un mat en silicone est recommandé.
 - En cas de traitement de plusieurs plaques multipuits, empiler les plaques multipuits de bas en haut.
 - Placer les adaptateurs de plaques multipuits au sommet et au bas de la pile de plaques multipuits. Veiller à ce que les extensions des adaptateurs soient alignées.
 - Soulever la goupille de verrouillage (B) vers le haut à partir de la rainure, et la faire pivoter de 90° dans n'importe quel sens pour déverrouiller.
 - Tourner la molette (C) à fond dans le sens contraire des aiguilles d'une montre pour maximiser la plage de serrage.
 - Faire pivoter la goupille de verrouillage de 90° et lui permettre de se réengager en position verrouillée.
 - Mettre l'adaptateur de plaque multipuits dans le bras de bol de broyage et le placer dans les points de centrage (A). Tourner doucement la molette (C) dans le sens des aiguilles d'une montre jusqu'à ce que l'adaptateur de plaque multipuits soit fermement ajusté à l'intérieur du support, sans jeu.
 - Pour enlever les plaques multipuits, soulever la goupille de verrouillage (B) vers le haut et la faire pivoter de 90° pour déverrouiller et tourner la molette (C) dans le sens contraire des aiguilles d'une montre pour desserrer. Si la goupille de verrouillage est difficile à dégager, tourner la molette (C) légèrement dans le sens des aiguilles d'une montre pour relâcher la tension de la goupille de verrouillage.
- AVERTISSEMENT : Ne pas forcer la goupille de verrouillage pour la dégager (B). Tourner la molette (C) dans le sens des aiguilles d'une montre pour dégager la goupille.**
- AVERTISSEMENT : Les plaques multipuits et les adaptateurs doivent être insérés et alignés sur les points de centrage (A). Si cela n'est pas fait, les plaques multipuits risquent d'être éjectées au cours du traitement.**
- AVERTISSEMENT : Les bras de broyage doivent être équilibrés avant tout fonctionnement de la machine. Toujours faire fonctionner la machine avec deux adaptateurs de plaque multipuits. Un adaptateur dans chaque bras.**
- AVERTISSEMENT: Le Bead Ruptor™ 96 n'accepte que les plaques au format SPS de moins de 49,25 mm de hauteur.**



Consignes de sécurité lorsqu'on travaille avec de l'azote liquide

Le Bead Rupto™ 96 peut être utilisé avec de l'azote liquide pour le broyage cryogénique des bols de broyage. Les bols de broyage peuvent être prérefroidis dans un bain d'azoteliquide et placés ensuite dans le Bead Ruptor™ 96 pour la dissociation de matières tenaces.

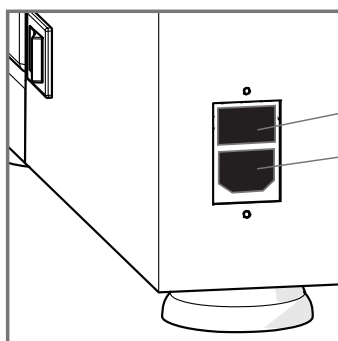
Les durées de refroidissement et de traitement dépendront de la matière cible. Lors de toute manipulation d'azote liquide, il est vivement recommandé de suivre les consignes de sécurité fournies par le fournisseur d'azote liquide.

AVERTISSEMENT : Toujours porter des gants de protection et des lunettes de sécurité au cours de travaux avec de l'azote liquide. L'azote liquide a une température de -196°C et provoquera des brûlures et des gelures graves en cas de contact avec la peau ou les yeux.

Accessoires

Bols de broyage	Order Number
Acier inoxydable 25 ml – ensemble de deux bols	27-004
Acier inoxydable 50 ml – ensemble de deux bols	27-006
Billes de broyage	
Acier inoxydable 10 mm – ensemble de dix billes	27-203
Acier inoxydable 25 mm – ensemble de cinq billes	27-206
Adaptateurs de plaques multipuits et de tubes	
Acier inoxydable – Ensemble de deux adaptateurs	27-101
PTFE – ensemble de deux adaptateurs (contient 48 x tubes [0,5 - 2 ml]de microcentrifugation ou à bouchon vissé).	27-106
Adaptateurs pour tubes de stockage de codes à barres 2D à 96 puits	
Micronic/FluidX 1.1 and 1.4 mL with septum style caps.	27-107
Thermo Fisher Scientific Matrix 1.1 mL, Micronic 1.1 mL, 1.4 mL and FluidX 1.1 and 1.4 mL storage tubes with septum style caps.	27-108
Tubes en acier inoxydable de 2 ml - ensemble de deux tubes avec tampons	19-6001

Comment remplacer les fusibles



1. Compartiment à fusibles
2. Port du cordon d'alimentation

Les fusibles suivants sont requis pour le Bead Ruptor™ 96 :

- 2 x 2 AT 250 V (230 V)
- 2 x 5 AT 250 V (115 V)
- Débrancher le cordon d'alimentation du port du cordon d'alimentation (2).
- En appuyant sur le dispositif de verrouillage au bas du compartiment des fusibles (1), la porte-fusibles est dégagée et peut être retirée.
- Remplacer les fusibles.
- Insérer le porte-fusibles et le pousser jusqu'à ce qu'il se verrouille en place.

Dépannage

Erreur	Solution possible
L'interrupteur d'alimentation n'est pas éclairé lorsque le Bead Ruptor™ 96 est sous tension.	<ol style="list-style-type: none">1. Vérifier l'alimentation électrique2. Vérifier les fusibles et les remplacer si nécessaire3. Contacter le service technique
L'écran d'affichage ne fonctionne pas	Contacter le service technique
« LID » apparaît à l'écran	Indique que le couvercle était ouvert lorsque la touche de démarrage a été pressée. Fermer le couvercle et effacer le message en appuyant sur la touche Start/Stop. Appuyer sur Start/Stop pour commencer le cycle.
Message « Er1 » apparaît à l'écran	Le moteur a surchauffé. Mettre hors tension et laisser refroidir le moteur.
Message « Er2 » apparaît à l'écran	Le Bead Ruptor™ 96 est incapable d'atteindre la fréquence de vibration. Vérifier la présence d'obstructions au niveau de bols de broyage. Mettre hors tension et ensuite sous tension pour effacer le message d'erreur.
Message « Er3 » apparaît à l'écran	Le couvercle a été ouvert au cours du fonctionnement. La machine doit être mise hors tension et ensuite sous tension pour effacer le message d'erreur avant de pouvoir continuer à fonctionner.

NE PAS : essayer d'entretenir le Bead Ruptor™ 96 d'une autre façon que celle décrite dans ce manuel. Pour résoudre tout problème n'ayant pas pu être corrigé à l'aide de ce guide, veuillez contacter votre revendeur agréé ou appeler Omni International au 1-800-776-4431.

it

I dati nel presente documento sono stati verificati e validati. Si ritengono adeguati per l'uso previsto dello strumento. Se lo strumento o le procedure vengono utilizzati per scopi che vanno al di là delle funzionalità specificate nel presente documento, deve essere ottenuta la conferma della validità e dell'idoneità; altrimenti OMNI International, a PerkinElmer company non garantisce i risultati e non si assume alcun obbligo o responsabilità. Questa pubblicazione non è una licenza per operare ai sensi di, né una raccomandazione di violare, qualsiasi brevetto di processo. Questo prodotto è garantito esente da vizi di origine e fabbricazione per un periodo di UN ANNO dalla data di consegna. OMNI International, a PerkinElmer company riparerà o sostituirà e restituirà gratuitamente qualsiasi componente che viene rimandato in fabbrica entro detto periodo, con trasporto prepagato dall'utente, e che a seguito di ispezione è stato rilevato viziato dall'origine o nella fabbricazione. Questa garanzia non include la normale usura d'uso; non si applica a qualsiasi strumento o componente che sia stato modificato da un soggetto diverso da un dipendente di OMNI International, a PerkinElmer company né a qualsiasi strumento che sia stato danneggiato a causa di incidenti, negligenza, inosservanza delle istruzioni d'uso, dell'uso di correnti elettriche o circuiti diversi da quelli indicati sulla targhetta applicata allo strumento, uso improprio o abuso. OMNI International, a PerkinElmer company si riserva il diritto di cambiare, alterare, modificare o migliorare qualsiasi suo strumento senza alcun obbligo di apportare le modifiche corrispondenti a qualsiasi strumento precedentemente venduto o spedito.

L'OBBLIGO CHE PRECEDE È A TITOLO SOSTITUTIVO IN VIA DEGLI OBBLIGHI E DELLE RESPONSABILITÀ, INCLUSA LA NEGLIGENZA E TUTTE LE GARANZIE DI COMMERCIALITÀ O ALTRE, ESPRESSE O IMPLICITE, DI FATTO O DI DIRITTO E INDICA LA NOSTRA INTERA ED ESCLUSIVA RESPONSABILITÀ E IL MEZZO DI TUTELA PER GLI ACQUIRENTI PER QUALSIASI RIVENDICAZIONE DI DANNI AD ES IN RELAZIONE ALLA VENDITA O ALLA FORNITURA DI BENI O PARTI, LA LORO PROGETTAZIONE, L'IDONEITÀ ALL'USO, L'INSTALLAZIONE O IL FUNZIONAMENTO. OMNI International, a PerkinElmer company NON SARÀ IN ALCUN CASO RITENUTA RESPONSABILE PER QUALSIVOGLIA DANNO SPECIFICO O CONSEGUENZIALE, E LA SUA RESPONSABILITÀ IN NESSUN CASO SUPERERÀ IL PREZZO CONTRATTUALE PER LE MERCI PER CUI LA RESPONSABILITÀ VIENE RIVENDICATA. Questo prodotto è stato progettato per la sicurezza; tuttavia, le precauzioni di sicurezza di base e il buon senso devono sempre essere adottati quando si utilizzano prodotti elettrici.

- NON cercare di modificare qualsiasi parte di questo prodotto.
- NON immergere la macchina in alcun liquido.
- NON utilizzare in ubicazioni diverse da un laboratorio interno.
- NON inserire il cavo di alimentazione in una presa non corretta né sottoporlo a una tensione non corretta.
- Utilizzare questo prodotto solo per lo scopo previsto.
- NON usare accessori non consigliati dal produttore.
- NON utilizzare il prodotto se è danneggiato in qualsiasi modo.
- Tenere il prodotto lontano da superfici calde.
- NON modificare la spina o il cavo fornito. Se non si adatta alla presa a disposizione, fare installare la presa appropriata da un elettricista qualificato.
- NON utilizzare il prodotto con la messa a terra di sicurezza disconnessa.

AVVERTENZA: La camera di lavorazione del Bead Ruptor™ 96 è chiusa da un coperchio resistente.

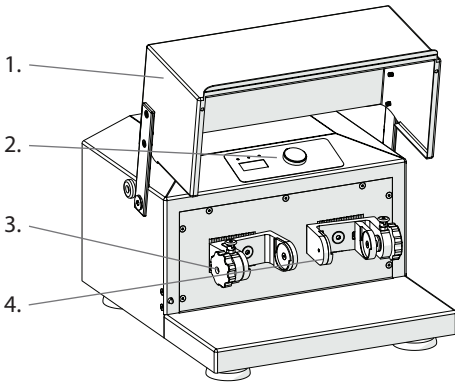
L'avvio della macchina è possibile solo con il coperchio chiuso. Se il coperchio è aperto, il messaggio "LID" appare sul display, quando viene premuto il tasto START/STOP. Quando sul display viene visualizzato il messaggio "LID", il coperchio deve essere chiuso e il messaggio di errore cancellato premendo il tasto START/STOP. Lo strumento può quindi essere avviato premendo nuovamente il tasto START/STOP. Se il coperchio viene aperto durante il funzionamento, la macchina si ferma rapidamente e sul display appare il messaggio "Er3". Quando sul display viene visualizzato il messaggio "Er3", la macchina non può essere riavviata premendo il tasto START/STOP. L'interruttore di alimentazione principale deve essere spostato su OFF e poi ancora una volta su ON, per cancellare il messaggio prima che lo strumento possa riavviarsi.

REQUISITI DI RIEMPIMENTO DEL CONTENITORE DI MACINAZIONE

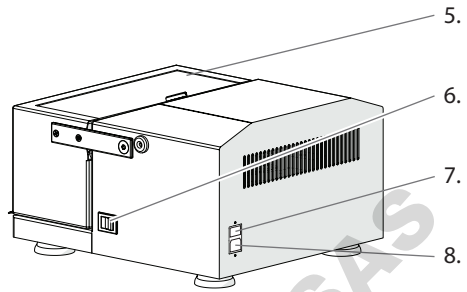
AVVERTENZA: La quantità del campione non deve essere inferiore al 25% della capacità del contenitore di macinazione. Le sfere di macinazione altrimenti potrebbero danneggiare i contenitori per la macinazione. I contenitori e le sfere per la macinazione devono essere dello stesso materiale. In caso contrario il contenitore per la macinazione potrebbe danneggiarsi.

AVVERTENZA: Lo strumento deve essere bilanciato prima del funzionamento. Non azionare lo strumento con un solo contenitore per la macinazione o un adattatore per la piastra a pozzetti installato in un solo supporto del contenitore per la macinazione. Entrambi i supporti del contenitore per la macinazione devono avere un contenitore per la macinazione (riempito con una massa equivalente) o degli adattatori per la piastra a pozzetti. Se non è bilanciato possono verificarsi danni al coperchio.

Panoramica



1. Coperchio
2. Pannello di controllo
3. Portacontenitore per la macinazione (a sinistra)
4. Portacontenitore per la macinazione (a destra)



5. Coperchio
6. Interruttore ON/OFF
7. Scomparto fusibili
8. Portello per il cavo di alimentazione

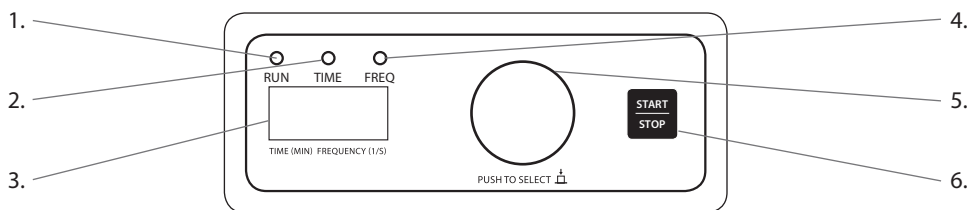
Il Bead Ruptor™ 96 comprende:

Descrizione	Quantità
Assemblaggio Bead Ruptor™ 96	1
Cavo di alimentazione	1
Fusibile di ricambio	1
Manuale utente	1

Dati tecnici

Alimentazione	230V ± 10% - 50/60Hz 115V ± 10% - 50/60Hz
Potenza nominale	200W
Fusibili	2 x 2AT 250V (230V) 2 x 5AT 250V (115V)
Frequenza vibrazionale disposizione	Digitale, da 3 a 30 Hz (180 - 1800 min-1), con incrementi di 0,1 Hz
Timer	5 sec - 99 min., timer con funzione HOLD, con incrementi di 1 secondo (sotto i 10 min.), o con incrementi di 10 sec (sopra i 10 min.)
Max. volume of milling cups	50 ml
Max. volume dei contenitori per la macinazione	1 x 2 ml piastra a pozzetti profondi, 2 X 1 mL piastra a pozzetti profondi, 3 X piastra a pozzetti standard
Dimensioni [L x P x A]	385 x 420 x 240 mm (465 mm con coperchio aperto)
Peso	42 kg
Emissione sonora (senza sfere di macinazione)	70 dB(A)
Temperatura ambientale	5°C - 40°C
Umidità atmosferica	< 85% RH

Pannello di controllo



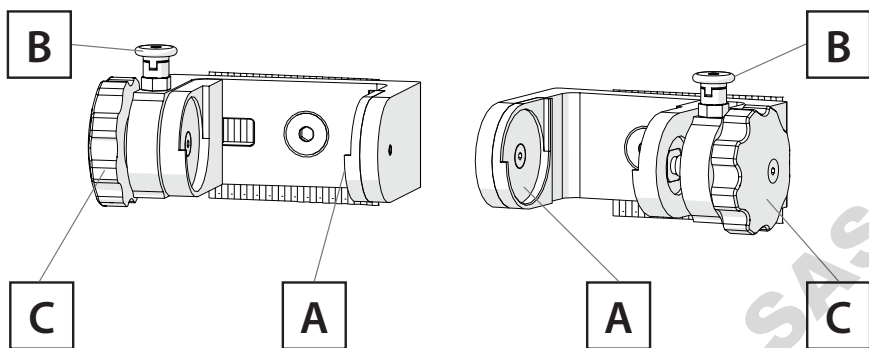
- | | |
|--|---------------------------------|
| 1. Luce di segnalazione di funzionamento | 4. Luce di segnale di frequenza |
| 2. Luce di segnalazione del tempo | 5. Manopola di comando |
| 3. Schermo del display | 6. Tasto START/STOP |

- **FUNZIONAMENTO** - acceso quando il Bead Ruptor™ 96 è in funzione.
- Segnale luminoso (giallo) del **TEMPO** - acceso quando la selezione del tempo per Bead Ruptor™ 96 è attiva.
- Segnale luminoso (giallo) di **FREQUENCY** acceso quando la selezione della frequenza per Bead Ruptor™ 96 è attiva. La frequenza è definita come numero di cicli al secondo (1/s). Misurata in Hz.
- **MANOPOLA DI COMANDO** (ruotare/spingere) - ruotare a destra (+) o a sinistra (-) per modificare i valori di impostazione del tempo o della frequenza. Premere la manopola di comando per cambiare dalle impostazioni di tempo a quelle di frequenza.
- Tasto **START/STOP** - premere per avviare o arrestare il ciclo.

AVVERTENZA: Avviare il Bead Ruptor™ 96 solo con il coperchio in posizione chiusa. Se il coperchio è aperto quando si tenta di avviare, il display visualizzerà "LID".

Avviare e interrompere il Bead Ruptor™ 96 con il tasto Start/Stop.

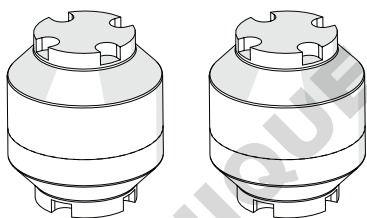
Contenitore per la macinazione e supporti per i cestelli



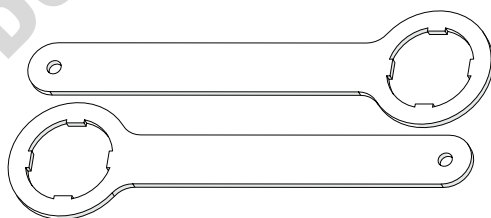
A. Punti di centraggio

B. Perno di serraggio

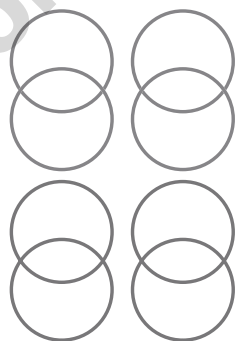
C. Manopola



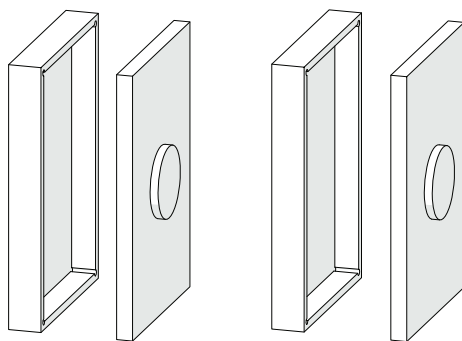
Contenitori per la macinazione



Chiavi del contenitore



O-Rings



Adattori della piastra a pozzetti

Inserimento dei contenitori per la macinazione

- Riempire il contenitore per la macinazione con il materiale da macinare. Assicurarsi che i due o-ring bianchi siano al loro posto prima di sigillare i contenitori.
- Sollevare il perno di bloccaggio (B) verso l'alto dalla scanalatura e ruotarla di 90° in qualsiasi asi direzione per sbloccare.
- Ruotare la manopola (C) in senso orario fino a massimizzare la capacità di serraggio.
- Girare il perno di bloccaggio a 90° e consentire di avviare in posizione bloccata.
- Posizionare il contenitore per la macinazione nel braccio per il contenitore per la macinazione e bloccarlo nei punti (A) di centraggio.
- Ruotare delicatamente la manopola (C) in senso orario fino a quando il contenitore per la macinazione si adatta saldamente all'interno del supporto, senza gioco.
- Per rimuovere il contenitore per la macinazione sollevare il perno di bloccaggio (B) e ruotarlo di 90° per sbloccare e ruotare la manopola (C) in senso orario per allentare. Se il perno di bloccaggio è difficile da rilasciare ruotare leggermente la manopola (C) in senso orario per rilasciare la tensione del perno di bloccaggio.

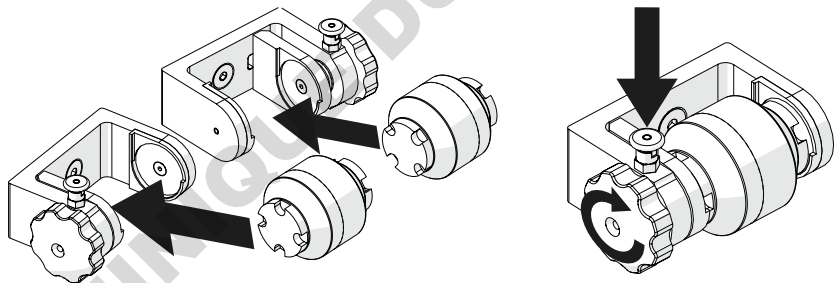
AVVERTENZA: includere sempre un O-Ring quando un vaso di fresatura viene assemblato per eseguire.

AVVERTENZA: Non forzare il perno di bloccaggio (B) sulla posizione aperta. Ruotare la manopola (C) in senso antiorario per rilasciare.

AVVERTENZA: I contenitori per la macinazione devono essere inseriti e allineati con i punti di centraggio (A). Se questo non viene fatto i contenitori possono essere espulsi durante il funzionamento.

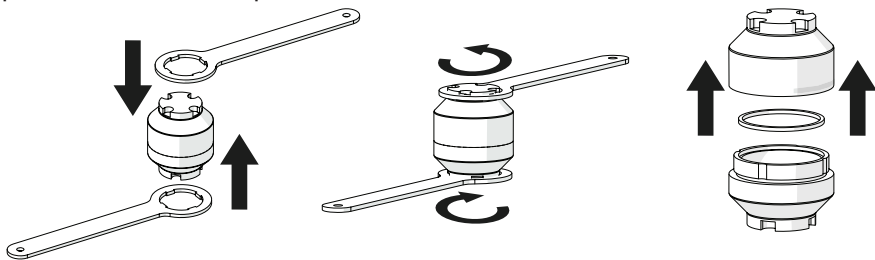
AVVERTENZA: Quando si rimuovono i contenitori per la macinazione caldi o raffreddati criogenicamente indossare sempre i guanti protettivi.

AVVERTENZA: È illegale macinare materiale infiammabile o esplosivo.



Apertura dei contenitori per la macinazione

- Ottenere due chiavi del contenitore di macinazione
- Inserire una chiave del contenitore per la macinazione su ciascuna estremità del contenitore per la macinazione
- Ruotare in senso antiorario una chiave assicurandosi che l'altra chiave non si muova per allentare il sigillo del contenitore.
- Separare con cura le due parti del contenitore.



Inserimento degli adattatori della piastra a pozzetti

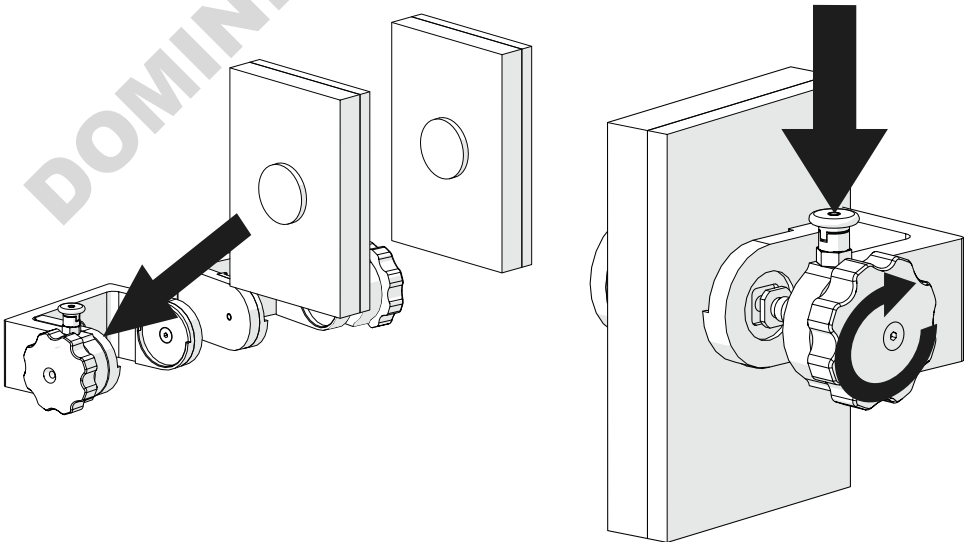
- Gli adattatori della piastra a pozzetti del Bead Ruptor™ 96 possono contenere una piastra a pozzetti 1 X 2 mL, delle piastre a pozzetti 2 X 1 mL o 3 X piastra a pozzetti standard per il braccio di lavorazione.
- Posizionare i campioni e le sfere nella piastra a pozzetti.
- Sigillare completamente la piastra a pozzetti con il tappetino per piastre. Occorre prestare attenzione affinché la piastra a pozzetti sia opportunamente sigillata. È consigliato un tappetino in silicone.
- Se vengono lavorate piastre a pozzetti multipli, impilare le piastre a pozzetti dal basso verso l'alto.
- Posizionare gli adattatori della piastra a pozzetti sulla parte inferiore e superiore della pila della piastra a pozzetti. Assicurarsi che le estensioni dell'adattatore siano allineate.
- Sollevare il perno di bloccaggio (B) verso l'alto dalla scanalatura e ruotarla di 90° in qualsiasi direzione per sbloccare.
- Ruotare la manopola (C) in senso orario fino a massimizzare la capacità di serraggio.
- Girare il perno di bloccaggio a 90° e consentire di avviare in posizione bloccata.
- Posizionare l'adattatore della piastra a pozzetti nel braccio per il contenitore per la macinazione e bloccarlo nei punti di centraggio (A). Ruotare delicatamente la manopola (C) in senso orario fino a quando gli adattatori della piastra a pozzetti si adattano saldamente all'interno del supporto, senza gioco.
- Per rimuovere le piastre a pozzetti sollevare il perno di bloccaggio (B) e ruotarlo di 90° per sbloccare e ruotare la manopola (C) in senso orario per allentare. Se il perno di bloccaggio è difficile da rilasciare, ruotare leggermente la manopola (C) in senso orario per rilasciare la tensione del perno di bloccaggio.

AVVERTENZA: Non forzare il perno di bloccaggio (B) sulla posizione aperta. Ruotare la manopola (C) in senso antiorario per rilasciare.

AVVERTENZA: Gli adattatori e le piastre a pozzetti devono essere inseriti e allineati con i punti di centraggio (A). Se questo non viene fatto le piastre a pozzetti possono essere espulse durante il funzionamento.

AVVERTENZA: I bracci per la macinazione devono essere bilanciati prima del funzionamento. È sempre necessario mettere in funzione due adattatori della piastra a pozzetti. Uno in ogni braccio.

AVVERTENZA: il Bead Ruptor™ 96 accetta solo lastre in formato SPS di altezza inferiore a 49,25 mm.



Istruzioni di sicurezza quando si lavora con azoto liquido

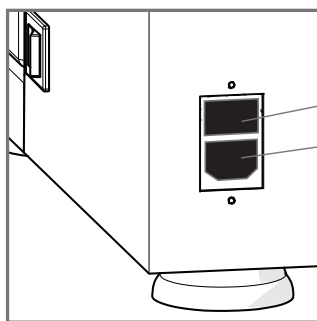
Il Bead Ruptor™ 96 può essere azionato da azoto liquido per la macinazione criogenica di contenitori per la macinazione. I contenitori per la macinazione possono essere preraffreddati in un bagno di azoto liquido poi inseriti sul Bead Ruptor™ 96 per la separazione delle materie dure. I tempi di raffreddamento e i tempi di lavorazione dipenderanno dal materiale. Si consiglia vivamente di seguire le istruzioni di sicurezza per la gestione dell'azoto liquido fornito dal suo fornitore di azoto liquido.

AVVERTENZA: Indossare sempre occhiali e guanti protettivi quando si lavora con l'azoto liquido. L'azoto liquido ha una temperatura di 196°C e causerà gravi ustioni e congelamento in caso di contatto con pelle o con gli occhi.

Accessori

Contenitori per la macinazione	Numero di ordine
In acciaio inox 25 mL - set di due In acciaio inox 50 mL - set di due	27-004 27-006
Sfere di macinazione	
10 mm inox - set di dieci 25 mm inox - set di cinque	27-203 27-206
Piastra a pozzetti e adattatori a tubo	
In acciaio inox- set di due PTFE - set di due. (Contiene 48 x 0,5-2 mL tubi per microcentrifuga o con tappo a vite)	27-101 27-106
Adattatori per provette per stoccaggio di codici a barre a 96 pozzetti	
Micronic/FluidX 1.1 and 1.4 mL with septum style caps.	27-107
Thermo Fisher Scientific Matrix 1.1 mL, Micronic 1.1 mL, 1.4 mL and FluidX 1.1 and 1.4 mL storage tubes with septum style caps.	27-108
Tubi in acciaio inossidabile da 2 ml - set di due tubi con proiettili	19-6001

Sostituzione del fusibile



1. Scomparto fusibili

2. Portello per il cavo di alimentazione

I fusibili seguenti sono necessari per il Bead Ruptor™ 96:

- 2 x 2AT 250V (230V)

- 2 x 5AT 250V (115V)

- Scollegare il cavo di alimentazione dalla porta del cavo di alimentazione (2).
- Premendo il dispositivo di bloccaggio sul lato inferiore del vano fusibile (1), portafusibile viene rilasciato e si può tirare.
- Sostituire i fusibili.
- Inserire il portafusibile e spingere, finché non si blocca.

Risoluzione dei problemi

Errore	Possible Solution
L'interruttore di accensione non si illumina quando il Bead Ruptor™ 96 è acceso.	1. Verificare l'alimentazione elettrica. 2. Controllare i fusibili e sostituirli se necessario. 3. Chiamare l'assistenza
Il display non funziona	Chiamare l'assistenza
Sul display appare "LID".	Indica che il coperchio è aperto quando è stato premuto il tasto Start. Chiudere il coperchio e cancellare il messaggio premendo il tasto Start/Stop. Premere Start/Stop per iniziare il ciclo.
Il messaggio "Er1" compare sul display	Il motore si è surriscaldato. Spegnerne l'alimentazione e attendere che il motore si raffreddi.
Il messaggio "Er2" compare sul display	Il Bead Ruptor™ 96 non è in grado di raggiungere la frequenza vibrazionale impostata. Verificare il contenitore per la macinazione alla ricerca di ostruzioni. Posizionare l'interruttore su OFF e ON per cancellare il messaggio di errore.
Il messaggio "Er3" compare sul display	Il coperchio è stato aperto durante il funzionamento. L'alimentazione deve essere su OFF e poi su ON per cancellare il messaggio di errore prima di procedere con l'operazione.

COSE DA NON FARE: tentare di riparare il Bead Ruptor™ 96 in modo diverso da quello descritto in questo manuale. per qualsiasi problema che non si riesce a risolvere utilizzando questa guida, si prega di contattare il proprio rivenditore o chiamare OMNI International, a PerkinElmer company allo 1-800-776-4431.

ES

Los datos del presente documento se han verificado y validado. Se consideran adecuados para la utilización prevista del instrumento. Si el instrumento o los procedimientos se utilizan para propósitos más allá y por encima de las capacidades especificadas aquí, deberá obtenerse confirmación de la validez e idoneidad; de lo contrario, OMNI International, a PerkinElmer company no garantiza los resultados y no asume ninguna obligación o responsabilidad. Esta publicación no es una licencia para operar bajo cualquier patente de proceso, ni una recomendación para infringirlas.

Se garantiza que este producto está libre de defectos en materiales y mano de obra durante un período de UN AÑO desde la fecha de su entrega. OMNI International, a PerkinElmer company reparará o reemplazará y devolverá sin cargo cualquier pieza que se devuelva a su fábrica dentro de dicho período, transporte prepago por el usuario, y que al inspeccionarse se determine que haya tenido un defecto en materiales o en mano de obra. Esta garantía no incluye el desgaste normal debido al uso; no se aplica a ningún instrumento o pieza que hayan sido alteradas por alguna persona que no sea empleada de OMNI International, a PerkinElmer company, ni a ningún instrumento que haya sido dañado por accidente, negligencia, incumplimiento de las instrucciones de operación, el uso de corrientes eléctricas o circuitos distintos de los especificados en la placa que está fijada en el instrumento, mal uso o maltrato. OMNI International, a PerkinElmer company se reserva el derecho de cambiar, alterar, modificar o mejorar cualquiera de sus instrumentos sin compromiso alguno para hacer los cambios correspondientes a cualquier instrumento vendido o enviado previamente.

LA ANTERIOR OBLIGACIÓN REEMPLAZA TODAS LAS OBLIGACIONES Y RESPONSABILIDADES LEGALES, INCLUYENDO LA NEGLIGENCIA Y CUALQUIER GARANTÍA DE COMERCIABILIDAD O DE OTRO TIPO, EXPRESA O IMPLÍCITA DE HECHO O POR DERECHO, Y ESTIPULA NUESTRA RESPONSABILIDAD ENTERA Y EXCLUSIVA, Y LA REPARACIÓN EXCLUSIVA DEL COMPRADOR EN CASO DE CUALQUIER RECLAMACIÓN POR DAÑOS Y PERJUICIOS EN RELACIÓN CON LA VENTA O SUMINISTRO DE BIENES O PIEZAS, SU DISEÑO, LA IDONEIDAD PARA EL USO, LA INSTALACIÓN O LA OPERACIÓN. OMNI International, a PerkinElmer company NO SERÁ EN NINGÚN CASO RESPONSABLE POR NINGÚN DAÑO ESPECIAL O CONSECUENTE, Y SU RESPONSABILIDAD NO SUPERARÁ, BAJO NINGUNA CIRCUNSTANCIA, EL PRECIO DEL CONTRATO POR LOS BIENES POR CUYA RESPONSABILIDAD SE RECLAMA.

Este producto ha sido diseñado para ser seguro; sin embargo, siempre deben exhibirse las precauciones básicas de seguridad y sentido común cuando se utilice cualquier aparato eléctrico.

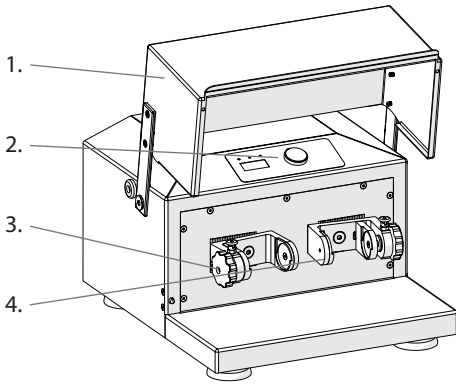
- NO intente modificar ninguna parte de este producto.
- NO permita que la máquina se sumerja en ningún líquido.
- NO lo utilice en ningún entorno que no sea un laboratorio bajo techo.
- NO conecte el cable de alimentación en un enchufe incorrecto ni lo someta a un voltaje incorrecto.
- Utilice este producto solamente para el propósito para el que está destinado.
- NO use accesorios que no estén recomendados por el fabricante.
- NO haga funcionar el producto si está dañado de cualquier manera.
- Mantenga este producto alejado de superficies calientes.
- NO modifique el enchufe o el cable que se suministra. Si la clavija no se ajusta al enchufe, pida a un electricista cualificado que instale un enchufe adecuado.
- NO haga funcionar el producto con la tierra de seguridad desconectada.

ADVERTENCIA: La cámara de procesamiento de la **Bead Ruptor™ 96** está rodeada por una fuerte tapa de cubierta. Sólo es posible arrancar la máquina con la tapa cerrada. Si la tapa está abierta, aparece el mensaje "LID" en la pantalla cuando se presiona la tecla **START/STOP**. Cuando aparezca el mensaje "LID" en la pantalla, la tapa debe cerrarse y se debe borrar el mensaje de error pulsando la tecla **START/STOP**. El instrumento puede iniciarse entonces pulsando de nuevo la tecla **START/STOP**. Si se abre la tapa durante el funcionamiento, la máquina se detiene rápidamente y el mensaje "Er3" aparece en la pantalla. Cuando aparezca el mensaje "Er3" en la pantalla, la máquina no puede reiniciarse pulsando la tecla **START/STOP**. El interruptor principal de alimentación debe girarse a la posición **OFF** y luego de nuevo a **ON** para borrar el mensaje antes de que pueda proceder la operación del instrumento. **REQUISITOS DE LLENADO DE LOS RECIPIENTES DE MOLIENDA**

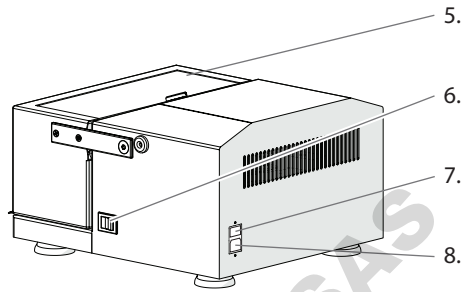
ADVERTENCIA: La cantidad de muestra no debe ser menos del 25% de la capacidad del recipiente de molienda. De otro modo, las bolas de molienda pueden dañar los recipientes de molienda. Los recipientes de molienda y bolas de molienda deben ser del mismo material. En caso contrario, el recipiente de molienda podría sufrir daños.

ADVERTENCIA: El instrumento debe equilibrarse antes de la operación. No haga funcionar el instrumento con solamente un recipiente de molienda o un adaptador de placa de pozos instalados en un solo soporte de recipiente de molienda. Ambos soportes de recipientes de molienda deben tener ya sea un recipiente de molienda (llenado con una masa equivalente) o bien adaptadores de placas de pozos. Si no está equilibrado, es posible que la tapa se dañe.

Descripción general



1. Tapa
2. Panel de control
3. Soporte de recipiente de molienda (izquierdo)
4. Soporte de recipiente de molienda (derecho)



5. Tapa
6. Interruptor de encendido y apagado
7. Portafusibles
8. Puerto del cable de alimentación

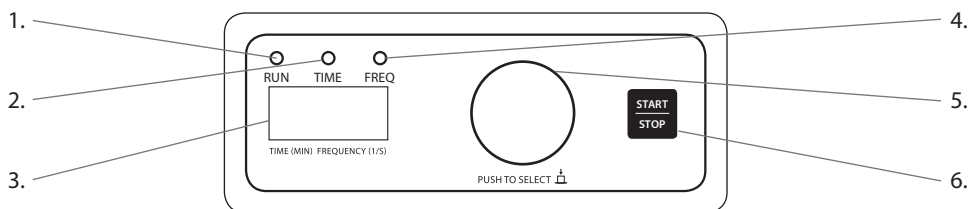
El Bead Ruptor™ 96 consta de lo siguiente:

Descripción	Cantidad
Ensamblado del Bead Ruptor™ 96	1
Cable de alimentación	1
Fusible de repuesto	1
Manual del usuario	1

Datos técnicos

Fuente de alimentación	230V ± 10% - 50/60Hz 115V ± 10% - 50/60Hz
Potencia nominal	200W
Fusibles	2 x 2AT 250V (230V) 2 x 5AT 250V (115V)
Regulación de frecuencia vibratoria	Digital, from 3 to 30 Hz (180 - 1800 min-1), in 0.1 Hz steps
Temporizador	5 seg - 99 min, función de ESPERA del temporizador, en pasos de 1 seg (por debajo de los 10 min), o pasos de 10 seg (por encima de los 10 min),
Volumen máx. de los recipientes de molienda	50 ml
Capacidad máxima de placas de pozos por cada soporte de recipientes de molienda	11 placa de pozos de 2 mL de profundidad, 2 placas de pozos de 1 mL de profundidad, 3 placas de pozos estándar
Dimensiones An x Prf x Al	385 x 420 x 240 mm (465 mm con la cubierta abierta)
Peso	42 kg
Emisión de ruido (sin bolas de molienda)	70 dB(A)
Temperatura ambiente	5°C - 40°C
Humedad atmosférica	< 85% RH

Panel de control

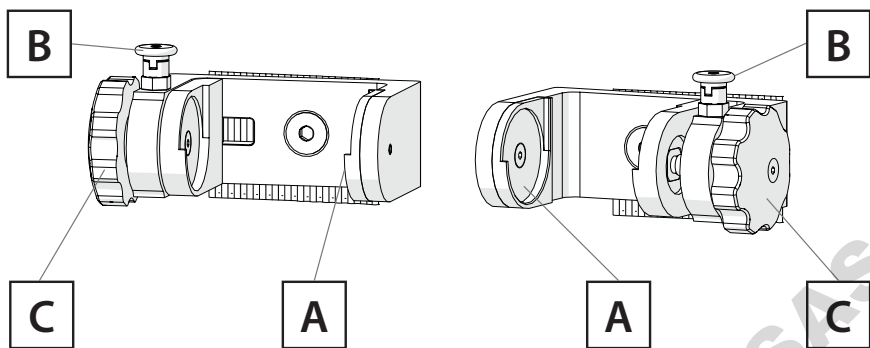


- | | |
|---------------------------------------|-----------------------------------|
| 1. Lámpara de señal de funcionamiento | 4. Lámpara de señal de frecuencia |
| 2. Lámpara de señal de tiempo | 5. Perilla de control |
| 3. Pantalla | 6. Botón Start/Stop |

- **FUNCIONAMIENTO** Luz de señal (verde) - se enciende cuando está funcionando el Bead Ruptor™ 96.
- **TIEMPO** Luz de señal (amarilla) - se enciende cuando la selección del temporizador del Bead Ruptor™ 96 está activa.
- **FRECUENCIA** Luz de señal (amarilla) - se enciende cuando la selección de frecuencia del Bead Ruptor™ 96 está activa. La frecuencia se define como número de ciclos de onda por segundo (1/s). Medido en Hz.
- **PERILLA DE CONTROL** (girar/empujar) - gire a la derecha (+) o a la izquierda (-) para cambiar los valores de ajuste de Tiempo o de Frecuencia. Presione la perilla de control para alternar entre los ajustes de tiempo y frecuencia.
- **Botón START/STOP** pulse para iniciar o parar el ciclo.

ADVERTENCIA: Sólo arranque el Bead Ruptor™ 96 con la tapa en posición cerrada. La pantalla mostrará "LID" si la tapa está abierta al intentar arrancar. Siempre inicie y detenga el Bead Ruptor™ 96 con el botón Start/Stop.

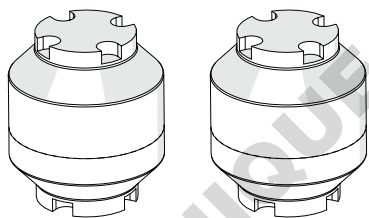
Soportes de recipientes de molienda y anaquel



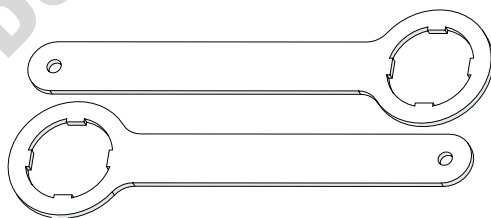
A. Puntos de centrado

B. Perno de bloqueo

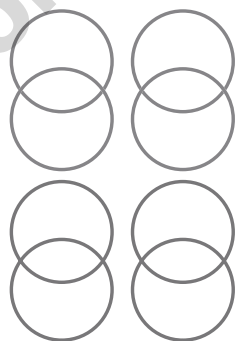
C. Perilla



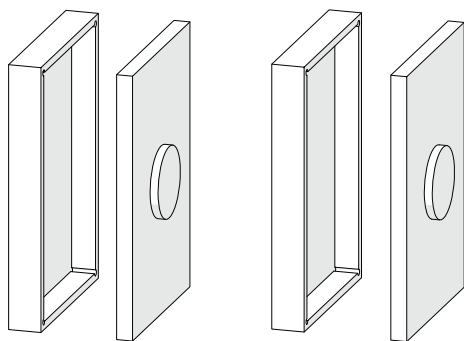
Recipientes de molienda



Llaves de recipientes



Juntas tóricas



Adaptadores de placas de pozos

Insertar recipientes de molinenda

- Llene el recipiente de molinenda con el material a ser molido. Asegúrese de que las dos juntas tóricas blancas estén en su sitio antes de sellar los recipientes.
- Levante el perno de bloqueo (B) hacia arriba desde la ranura y gírelo 90° en cualquier dirección para desbloquearlo.
- Gire la perilla (C) hacia la izquierda completamente para aumentar al máximo el intervalo de sujeción.
- Gire el perno de bloqueo 90° y deje que vuelva a ajustarse en la posición de bloqueo.
- Coloque el recipiente de molinenda en el brazo de recipientes de molinenda y asíntelo en los puntos de centrado (A).
- Suavemente, gire la perilla (C) hacia la derecha hasta que el recipiente de molinenda se ajuste firmemente en el soporte, sin que haya juego.
- Para retirar el recipiente de molinenda, levante el perno de bloqueo (B), gírelo 90° para desbloquearlo y gire la perilla (C) hacia la izquierda para aflojarla. Si es difícil liberar el perno de bloqueo, gire la perilla (C) un poco hacia la derecha para liberar la tensión del perno de bloqueo.

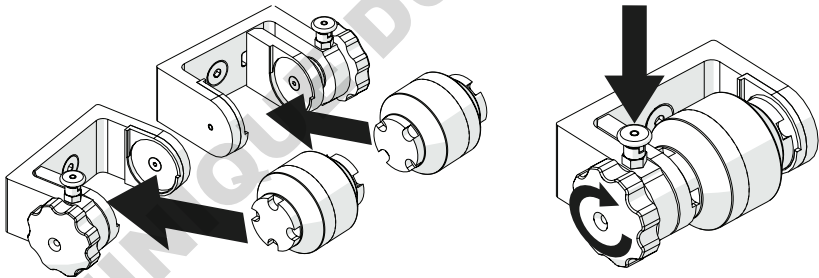
ADVERTENCIA: Siempre incluya un O-Ring cuando un frasco de fresado se ensambla para funcionar.

ADVERTENCIA: No fuerce el perno de bloqueo (B) para abrirlo. Gire la perilla (C) hacia la derecha para liberarla.

ADVERTENCIA: Los recipientes de molinenda deben insertarse y alinearse con los puntos de centrado (A). Si esto no se hace, los recipientes de molinenda pueden ser expulsados durante el procesamiento.

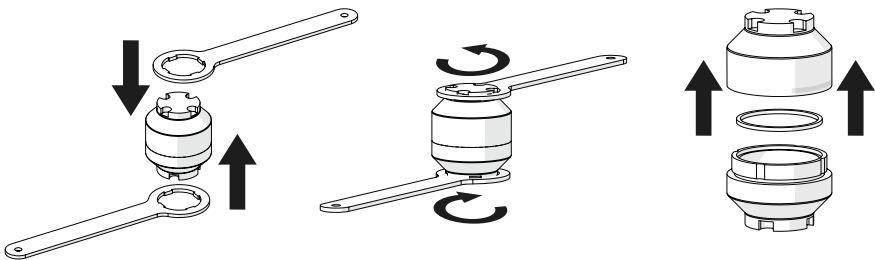
ADVERTENCIA: Al retirar los recipientes de molinenda calientes o enfriados criogénicamente, siempre use guantes de protección.

ADVERTENCIA: Es ilegal moler material inflamable o explosivo.



Abrir los recipientes de molinenda

- Obtenga dos llaves para recipientes de molinenda
- Coloque una llave de recipientes de molinenda en cada extremo del recipiente
- Gire una llave hacia la izquierda al tiempo que fija la otra llave para moverla aflojando el sello del recipiente.
- Separe cuidadosamente las mitades del recipiente.



Insertar los adaptadores de placas de pozos

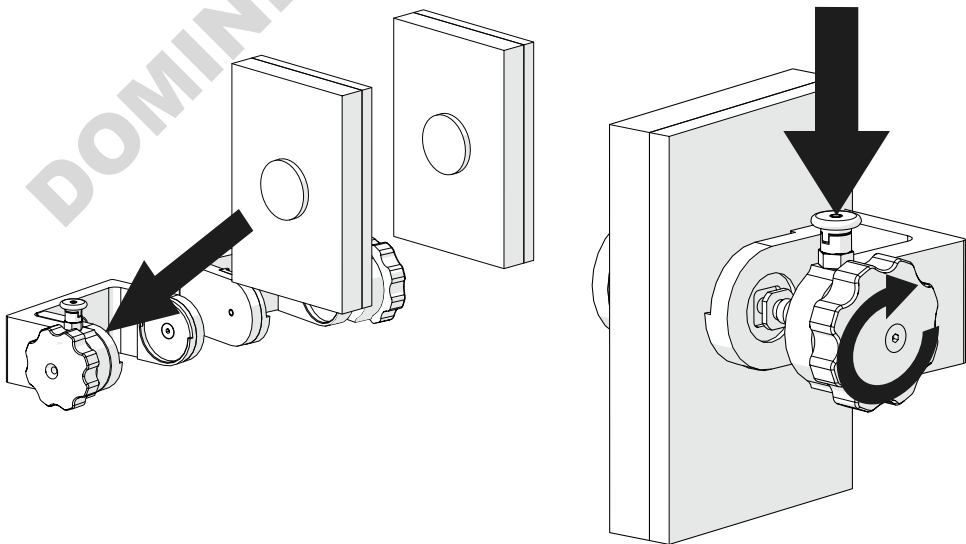
- Los adaptadores de las placas de pozos del Bead Ruptor™ 96 pueden contener 1 placa de pozos de 2 mL de profundidad, 2 placas de pozos de 1 mL de profundidad o 3 placas de pozos estándar en cada brazo de procesamiento.
- Coloque las muestras y las cuentas en la placa de pozos.
- Selle completamente la placa de pozos con la estera de placa de pozos. Debe tenerse cuidado para asegurarse de que la placa de pozos esté correctamente sellada. Se recomienda una estera de silicona.
- Si se están procesando múltiples placas de pozos, apíelas desde la parte de abajo hacia arriba.
- Coloque los adaptadores de las placas de pozos en la parte superior e inferior de la pila de placas de pozos. Asegúrese de que las extensiones de los adaptadores estén alineadas.
- Levante el perno de bloqueo (B) hacia arriba desde la ranura y gírelo 90° en cualquier dirección para desbloquearlo.
- Gire la perilla (C) hacia la izquierda completamente para aumentar al máximo el intervalo de sujeción.
- Gire el perno de bloqueo 90° y deje que vuelva a ajustarse en la posición de bloqueo.
- Coloque el adaptador de las placas de pozos en el brazo del recipiente de molienda y asíéntelo en los puntos de centrado (A). Gire suavemente la perilla (C) hacia la derecha hasta que el adaptador de las placas de pozos se ajuste firmemente en el soporte, sin que haya juego.
- Para retirar las placas de pozos, levante el pasador de bloqueo (B), gírelo 90° para desbloquearlo y gire la perilla (C) hacia la izquierda para aflojarla. Si es difícil liberar el perno de bloqueo, gire la perilla (C) ligeramente hacia la derecha para liberar la tensión del perno de bloqueo.

ADVERTENCIA: No fuerce el perno de bloqueo (B) para abrirlo. Gire la perilla (C) hacia la derecha para liberarla.

ADVERTENCIA: Las placas de pozos y los adaptadores deben insertarse y alinearse con los puntos de centrado (A). Si esto no se hace, las placas de pozos pueden ser expulsadas durante el procesamiento.

ADVERTENCIA: Los brazos de molienda deben equilibrarse antes de la operación. Siempre debe operar con dos adaptadores de placa de pozos. Uno en cada brazo.

ADVERTENCIA: El Bead Ruptor™ 96 solo acepta planchas de formato SPS de menos de 49,25 mm de altura.



Instrucciones de seguridad al trabajar con nitrógeno líquido

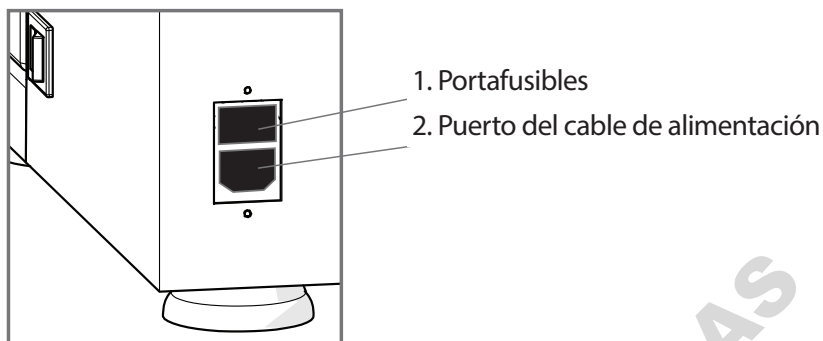
El Bead Ruptor™ 96 puede utilizarse con nitrógeno líquido para la molienda criogénica de recipientes de molienda. Los recipientes de molienda pueden preenfriarse en un baño de nitrógeno líquido y luego colocarse en el Bead Ruptor™ 96 para disociar materiales resistentes. Los tiempos de enfriado y los de procesamiento dependerán del material objetivo. Se recomienda vivamente que siga las instrucciones de seguridad para el manejo de nitrógeno líquido que ha suministrado su proveedor de nitrógeno líquido.

ADVERTENCIA: Siempre use guantes y gafas protectores cuando trabaje con nitrógeno líquido. El nitrógeno líquido tiene una temperatura de -196 °C y provoca graves quemaduras y congelación al entrar en contacto con la piel o los ojos.

Accesorios

Recipientes de molienda	Número de pedido
Acero inoxidable 25 mL - juego de dos	27-004
Acero inoxidable 50 mL - juego de dos	27-006
Bolas de molienda	
10 mm de acero inoxidable - juego de diez	27-203
25 mm de acero inoxidable - juego de cinco	27-206
Placa de pozos y adaptadores de tubo	
Acero inoxidable - juego de dos	
PTFE - juego de dos. (Contiene 48 tubos microcentrífugos o de tapón de rosca de 0.5 - 2 mL)	27-101 27-106
Adaptadores de tubo de almacenamiento de código de barras 2D de 96 pocillos	
Micronic/FluidX 1.1 and 1.4 mL with septum style caps.	27-107
Thermo Fisher Scientific Matrix 1.1 mL, Micronic 1.1 mL, 1.4 mL and FluidX 1.1 and 1.4 mL storage tubes with septum style caps.	27-108
Tubos de acero inoxidable de 2 mL: juego de dos tubos con tacos	19-6001

Reemplazo del fusible



Se requieren los fusibles siguientes para el Bead Ruptor™ 96:

- 2 x 2AT 250V (230V)
- 2 x 5AT 250V (115V)
- Desconecte el cable de alimentación del puerto del cable de alimentación (2)
- Al presionar el dispositivo de cierre en la parte inferior del compartimiento de los fusibles(1), el portafusibles se libera y se puede sacar.
- Reemplace los fusibles.
- Inserte el portafusibles y empújelo hasta que encaje.

Resolución de problemas

Error	Possible Solution
El interruptor de alimentación no está iluminado cuando el Bead Ruptor™ 96 está encendido.	1. Compruebe la fuente de alimentación 2. Compruebe los fusibles y reemplácelos si es necesario 3. Pida servicio
La pantalla no funciona	Pida servicio
"LID" aparece en pantalla	Indica que la tapa está abierta cuando se presiona el botón de inicio. Cierre la tapa y elimine el mensaje oprimiendo el botón de Inicio/Parada. Oprima Inicio/Parada para comenzar el ciclo.
El mensaje "Er1" aparece en la pantalla	El motor se ha sobrecalentado. Apague la alimentación y permita que el motor se enfríe.
El mensaje "Er2" aparece en la pantalla	El Bead Ruptor™ 96 no puede llegar a la frecuencia vibracional ajustada. Compruebe que los recipientes de molienda no tengan obstrucciones. Apague y encienda la alimentación para borrar el mensaje de error.
El mensaje "Er3" aparece en la pantalla	La tapa estaba abierta durante el funcionamiento. Debe apagarse la alimentación y después encenderse para eliminar el mensaje de error antes de que pueda continuar la operación.

NO: intente reparar el Bead Ruptor™ 96 de modo distinto de los expuestos en este manual. Para cualquier problema que no se corrija con éxito usando esta guía, comuníquese con su distribuidor autorizado o llame a OMNI International, a PerkinElmer company al 1-800-776-4431.

de

Die hierin enthaltenen Daten wurden verifiziert und validiert. Sie werden als für die vorgesehene Verwendung des Instruments als geeignet erachtet. Sollten das Instrument oder die Verfahren für Zwecke verwendet werden, die außerhalb der hier angegebenen Funktionen liegen, sollte eine Bestätigung der Validität eingeholt werden; andernfalls gewährleistet OMNI International, a PerkinElmer company keine Ergebnisse und übernimmt keine Verpflichtung oder Haftung. Dieses Schriftstück stellt keine Gewährung einer Lizenz und keine Empfehlung zur Verletzung von Verfahrenspatenten dar. Für dieses Produkt gilt eine Gewährleistung gegen Material- und Verarbeitungsfehler für einen Zeitraum von EINEM JAHR ab Lieferdatum. OMNI International, a PerkinElmer company repariert oder ersetzt kostenfrei sämtliche Teile, die innerhalb des angegebenen Zeitraums mit vorausbezahlen Transportkosten an sein Werk zurückgeschickt werden, wenn bei der Überprüfung festgestellt wird, dass Material- oder Verarbeitungsfehler vorliegen. Diese Gewährleistung umfasst keine verwendungsbedingte normale Abnutzung; sie gilt nicht für Instrumente oder Teile, die von anderen Personen als einem Mitarbeiter von OMNI International, a PerkinElmer company verändert wurden, und für keine Instrumente, die versehentlich, durch Nachlässigkeit, durch Nichtbefolgen der Bedienungsanweisungen, durch Nutzung von Stromspannungen außer jenen, die auf dem am Instrument befestigten Schild angegeben sind, durch Fehlgebrauch oder durch missbräuchliche Verwendung beschädigt wurden. OMNI International, a PerkinElmer company behält sich das Recht vor, seine Instrumente zu ändern, zu modifizieren oder zu verbessern, ohne eine Verpflichtung, entsprechende Änderungen an zuvor verkauften oder versendeten Instrumenten vorzunehmen.

DIE VORANGEHENDE VERPFLICHTUNG GILT ANSTELLE SÄMTLICHER VERPFLICHTUNGEN UND HAFTUNGEN EINSCHLIESSLICH NACHLÄSSIGKEIT UND ALLER GEWÄHRLEISTUNGEN DER MARKTFÄHIGKEIT ODER ANDERWEITIGER GEWÄHRLEISTUNGEN, EXPLIZIT ODER IMPLIZIT IN TATSÄCHLICHER ODER RECHTLICHER HINSICHT, UND STELLEN UNSERE GESAMTE UND EXKLUSIVE HAFTUNG UND DAS AUSSCHLIESSLICHE RECHTSMITTEL DES KÄUFERS FÜR SCHADENSANSPRÜCHE IN VERBINDUNG MIT DEM VERKAUF ODER DER BEREITSTELLUNG VON GÜTERN ODER TEILEN, DEREN DESIGN, EIGNUNG FÜR EINEN BESTIMMTEN ZWECK, INSTALLATION ODER BETRIEB DAR. OMNI International, a PerkinElmer company IST NICHT HAFTBAR FÜR JEDLICHE BESONDEREN

SCHÄDEN ODER FOLGESCHÄDEN, UND DIE HAFTUNG ÜBERSCHREITET KEINESFALLS DEN VERTRAGSPREIS FÜR DIE GÜTER, FÜR WELCHE DIE HAFTUNG BEANSPRUCHT WIRD.

Dieses Produkt wurde für sichere Anwendung entwickelt; jedoch müssen stets grundlegende Sicherheitsvorkehrungen und gesunder Menschenverstand beachtet werden, wenn ein elektronisches Produkt verwendet wird.

- Versuchen Sie NICHT, Teile dieses Produkts zu modifizieren.
- Tauchen Sie die Maschine NICHT in eine Flüssigkeit ein.
- Verwenden Sie die Maschine NICHT in anderen Umgebungen als in einem Innenraumlabor.
- Stecken Sie das Stromkabel NICHT an einer falschen Steckdose an und setzen Sie es keiner falschen Spannung aus.
- Verwenden Sie dieses Produkt ausschließlich für seinen vorgesehenen Zweck.
- Verwenden Sie KEIN Zubehör, das nicht vom Hersteller empfohlen ist.
- Bedienen Sie das Produkt NICHT, wenn es in irgendeiner Form beschädigt ist.
- Halten Sie dieses Produkt von heißen Oberflächen fern.
- Modifizieren Sie NICHT den mitgelieferten Stecker oder das mitgelieferte Kabel. Wenn der Stecker nicht in die Steckdose passt, lassen Sie von einem qualifizierten Elektriker eine korrekte Steckdose installieren.
- Bedienen Sie das Produkt NICHT, wenn die Schutzerdung unterbrochen ist.

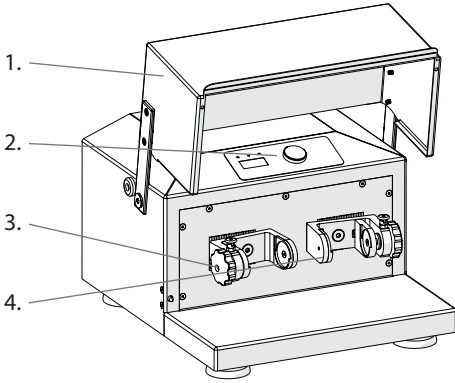
WARNUNG: Die Verarbeitungskammer des Bead Ruptor™ 96 ist durch eine starke Abdeckklappe verschlossen. Die Maschine kann nur gestartet werden, wenn die Klappe geschlossen ist. Wenn die Klappe geöffnet ist, wird auf dem Display beim Drücken der START/STOP-Taste die Meldung "LID" (Klappe) angezeigt. Wenn die Meldung "LID" auf dem Display angezeigt wird, muss die Klappe geschlossen und die Fehlermeldung durch Drücken der START/STOP-Taste gelöscht werden. Anschließend kann das Instrument gestartet werden, indem die START/STOP-Taste erneut gedrückt wird. Wenn die Klappe während des Betriebs geöffnet wird, stoppt die Maschine sofort und die Nachricht "Er3" wird auf dem Display angezeigt. Wenn die Nachricht "Er3" auf dem Display angezeigt wird, kann die Maschine nicht durch Drücken der START-/STOP-Taste neu gestartet werden. Der HAUPTSTROMSCHALTER muss AUS- und wieder EINGESCHALTET werden, damit die Nachricht gelöscht wird, bevor der Betrieb des Instruments fortgesetzt werden kann.

ANFORDERUNGEN ZUM FÜLLEN DES MAHLGEFÄSSES

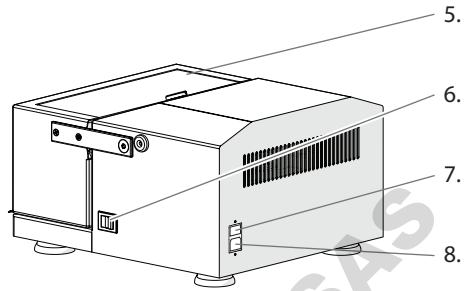
WARNUNG: Die Probenmenge darf nicht weniger als 25% der Kapazität des Mahlgefäßes sein. Andernfalls können die Mahlkugeln die Mahlgefäße beschädigen. Die Mahlgefäße und Mahlkugeln müssen aus demselben Material bestehen. Andernfalls könnte das Mahlgefäß beschädigt werden.

WARNUNG: Das Instrument muss vor dem Betrieb ausbalanciert werden. Nehmen Sie das Instrument nicht in Betrieb, wenn nur ein Mahlgefäß oder ein Well-Platten-Adapter in einer einzelnen Mahlgefäßhalterung installiert ist. Beide Mahlgefäßhalterungen müssen entweder über ein Mahlgefäß (gefüllt mit entsprechender Masse) oder über Well-Platten-Adapter verfügen. Ohne Ausbalancierung sind Schäden an der Klappe möglich.

Übersicht



- 1. Klappe
- 2. Bedienfeld
- 3. Mahlgefäßhalterung (links)
- 4. Mahlgefäßhalterung (rechts)



- 5. Klappe
- 6. Ein-/Aus-Schalter
- 7. Sicherungsfach
- 8. Stromkabelanschluss

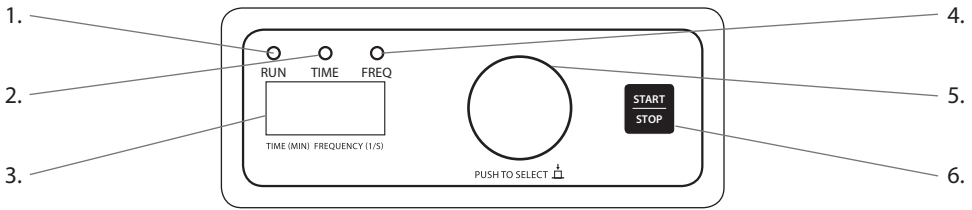
Der Bead Ruptor™ 96 besteht aus den nachstehenden Elementen:

Beschreibung	Anzahl
Bead Ruptor™ 96	1
Stromkabel	1
Ersatzsicherung	1
Benutzerhandbuch	1

Technische Daten

Netzteil	230V ± 10% - 50/60Hz 115V ± 10% - 50/60Hz
Nennleistung	200W
Sicherungen	2 x 2AT 250V (230V) 2 x 5AT 250V (115V)
Schwingungsfrequenz Regelung	Digital, von 3 bis 30 Hz (180 - 1800 min-1), in Schritten von 0,1 Hz
Timer	5 Sek. - 99 Min., Timer-HOLD-Funktion, in Schritten von 1 Sek. (unter 10 Min.), oder Schritten von 10 Sek. (über 10 Min.)
Max. Volumen der Mahlgefäße	50 ml
Max. Well-Platten-Kapazität pro Mahlgefäßhalterung	1 X 2 ml Deep-Well-Platte, 2 X 1 ml Deep-Well-Platte, 3 X Standard-Well-Platte
Abmessungen B x T x H	385 x 420 x 240 mm (465 mm bei geöffneter Klappe)
Gewicht	42 kg
Lärmemission (ohne Mahlkugeln)	70 dB(A)
Umgebungstemperatur	5°C - 40°C
Luftfeuchtigkeit	< 85% RH

Bedienfeld

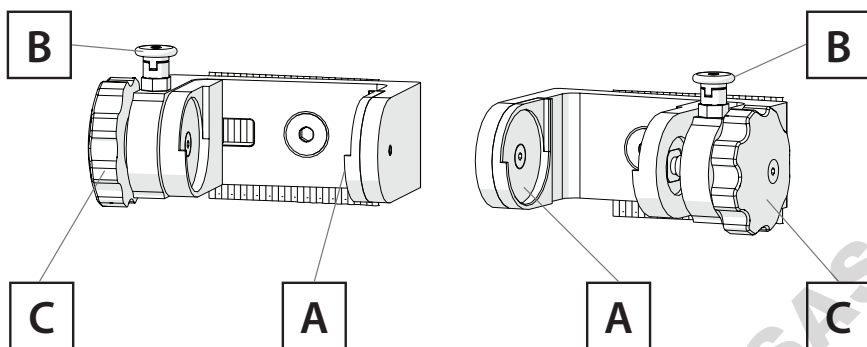


- | | |
|------------------------|-------------------------|
| 1. Betrieb-Signallicht | 4. Frequenz-Signallicht |
| 2. Zeit-Signallicht | 5. Drehknopf |
| 3. Display-Bildschirm | 6. Start-/Stop-Taste |

- **BETRIEB** Signallicht (grün) - leuchtet auf, wenn der Bead Ruptor™ 96 läuft.
- **ZEIT** Signallicht (gelb) - leuchtet auf, wenn die Timer-Auswahl des Bead Ruptor™ 96 aktiv ist.
- **FREQUENZ** Signallicht (gelb) - leuchtet auf, wenn die Frequenz-Auswahl des Bead Ruptor 96 aktiv ist. Frequenz ist definiert als die Anzahl an Wellenzyklen pro Sekunde (1/s). Gemessen in Hz.
- **DREHKNOPF** (drehen/drücken) - nach rechts (+) oder nach links (-) drehen, um die Werte der Zeit- oder Frequenzeinstellungen zu ändern. Drücken Sie den Drehknopf, um zwischen Zeit- und Frequenzeinstellungen zu wechseln.
- **START/STOP** Taste - drücken, um den Zyklus zu starten oder zu stoppen.

WARNING: Only start the Bead Ruptor™ 96 with the lid in the closed position. The display will read "LID" if the lid is open when attempting to start. Always start and stop the Bead Ruptor™ 96 with the Start/Stop button.

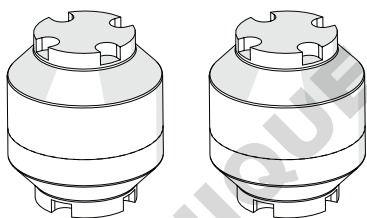
Mahlgefäß und Halterungen



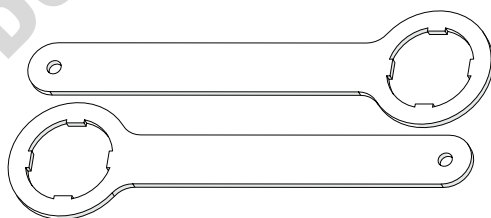
A. Zentrierspitzen

B. Arretierstift

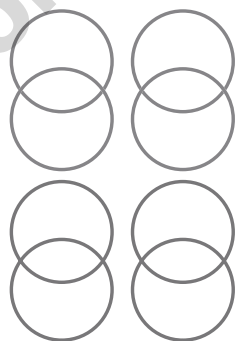
C. Knopf



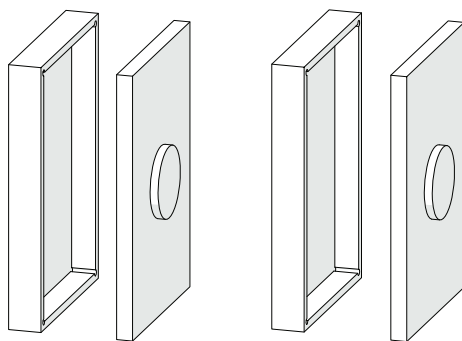
Mahlgefäße



Gefäßöffner



O-Ringe



Well-Platten-Adapter

Mahlgefäße einsetzen

- Füllen Sie das Mahlgefäß mit dem Material, das gemahlen werden soll. Vergewissern Sie sich, dass zwei weiße O-Ringe vorhanden sind, bevor Sie die Gefäße verschließen.
- Heben Sie den Arretierstift (B) nach oben aus der Kerbe und drehen Sie ihn um 90° in eine beliebige Richtung, um ihn zu entsperren.
- Drehen Sie den Knopf (C) vollständig gegen den Uhrzeigersinn, um den Spannbereich zu maximieren.
- Drehen Sie den Arretierstift um 90° und lassen Sie ihn in der gesperrten Position wieder einrasten.
- Platzieren Sie das Mahlgefäß im Mahlgefäßarm und setzen Sie es in die Zentrierspitzen (A) ein.
- Drehen Sie den Knopf (C) vorsichtig im Uhrzeigersinn, bis das Mahlgefäß fest und spielfrei in der Haltung sitzt.
- Zum Entfernen des Mahlgefäßes, heben Sie den Arretierstift (B) an und drehen Sie ihn um 90°, damit dieser entsperrt wird, und drehen Sie den Knopf (C) gegen den Uhrzeigersinn, um ihn zu lockern. Sollte der Arretierstift schwer zu entsperren sein, drehen Sie den Knopf (C) leicht im Uhrzeigersinn, um die Spannung des Arretierstiftes zu lösen.

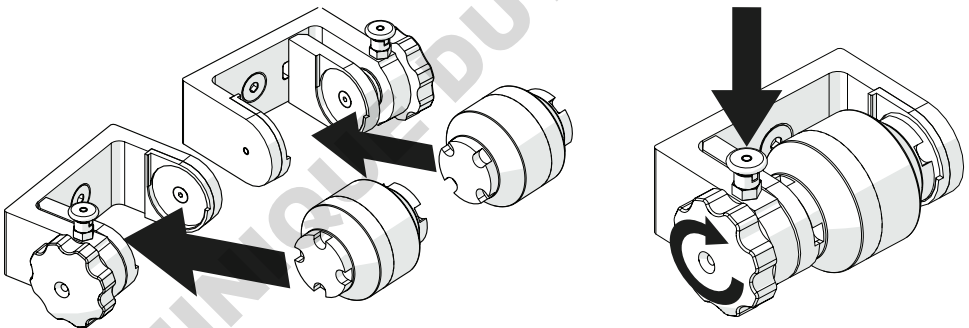
WARNUNG: Immer einen O-Ring einfügen, wenn ein Fräsbehälter montiert wird.

WARNUNG: Öffnen Sie den Arretierstift (B) nicht gewaltsam. Drehen Sie den Knopf (C) im Uhrzeigersinn, um ihn freizugeben.

WARNUNG: Mahlgefäße müssen eingesetzt und mit den Zentrierspitzen (A) ausgerichtet werden. Wird dies nicht getan, können die Gefäße während der Verarbeitung ausgeworfen werden.

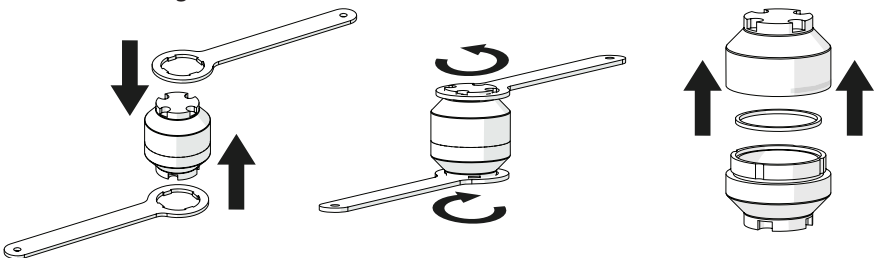
WARNUNG: Tragen Sie beim Entfernen heißer oder tiefkalter Mahlgefäße stets Schutzhandschuhe.

WARNUNG: Entflammare oder explosive Materialien dürfen nicht gemahlen werden.



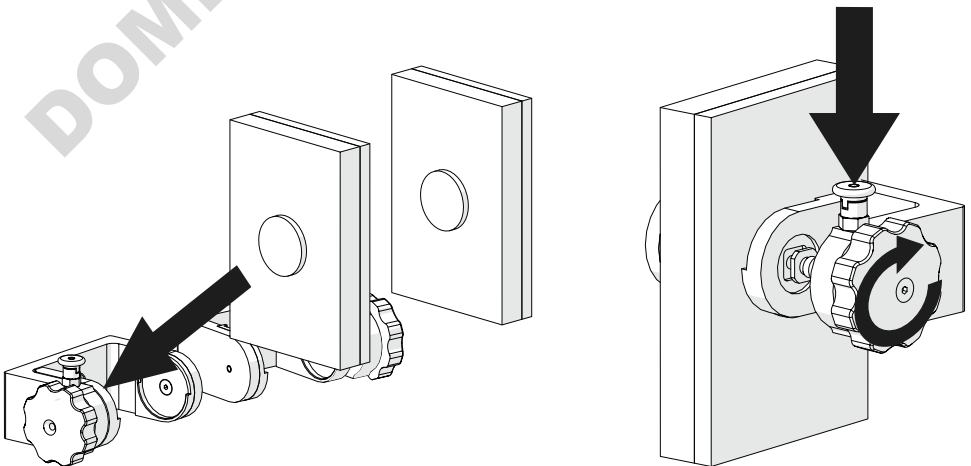
Mahlgefäße öffnen

- Nehmen Sie zwei Mahlgefäßöffner zur Hand
- Platzieren Sie jeweils einen Mahlgefäßöffner an den Enden des Mahlgefäßes
- Drehen Sie einen Öffner gegen den Uhrzeigersinn, während Sie den anderen Öffner festhalten, um den Verschluss des Behälters zu lösen.
- Teilen Sie vorsichtig die Behälterhälften.



Well-Platten-Adapter einsetzen

- Die Bead Ruptor™ 96 Well-Platten-Adapter können 1 X 2 ml Deep-Well-Platten, 2 X 1 ml Deep-Well-Platten, oder 3 X Standard-Well-Platten pro Verarbeitungsarm halten.
 - Platzieren Sie Proben und Beads in der Well-Platte.
 - Verschließen Sie die Well-Platte vollständig mit einer Well-Platten-Matte.
Vergewissern Sie sich, dass die Well-Platte korrekt verschlossen ist. Eine Silikonmatte wird empfohlen.
 - Wenn mehrere Well-Platten verarbeitet werden, stapeln Sie die Well-Platten von unten nach oben.
 - Platzieren Sie die Well-Platten-Adapter auf der Ober- und Unterseite des Well-Platten-Stapels. Vergewissern Sie sich, dass die Adaptererweiterungen miteinander ausgerichtet sind.
 - Heben Sie den Arretierstift (B) nach oben aus der Kerbe und drehen Sie ihn um 90° in eine beliebige Richtung, um ihn zu entsperren.
 - Drehen Sie den Knopf (C) vollständig gegen den Uhrzeigersinn, um den Spannungsbereich zu maximieren.
 - Drehen Sie den Arretierstift um 90° und lassen Sie ihn in der gesperrten Position wieder einrasten.
 - Platzieren Sie den Well-Platten-Adapter im Mahlgefäßarm und setzen Sie ihn in die Zentrierspitzen (A) ein. Drehen Sie den Knopf (C) vorsichtig im Uhrzeigersinn, bis das Mahlgefäß fest und spielfrei in der Haltung sitzt.
 - Zum Entfernen der Well-Platten, heben Sie den Arretierstift (B) an und drehen Sie ihn um 90°, damit dieser entsperrt wird, und drehen Sie den Knopf (C) gegen den Uhrzeigersinn, um ihn zu lockern. Sollte der Arretierstift schwer zu entsperren sein, drehen Sie den Knopf (C) leicht im Uhrzeigersinn, um die Spannung des Arretierstiftes zu lösen.
- WARNUNG:** Öffnen Sie den Arretierstift (B) nicht gewaltsam. Drehen Sie den Knopf (C) im Uhrzeigersinn, um ihn freizugeben.
- WARNUNG:** Well-Platten und Adapter müssen eingesetzt und mit den Zentrierspitzen (A) ausgerichtet werden. Wird dies nicht getan, können die Well-Platten während der Verarbeitung ausgeworfen werden.
- WARNUNG:** Die Mahlarne müssen vor dem Betrieb ausbalanciert werden. Sie müssen die Maschine stets mit zwei Well-Platten-Adapter in Betrieb nehmen. Einer in jedem Arm.
- WARNING:** The Bead Ruptor™ 96 only accepts SPS format plates less than 49.25 mm high.



Sicherheitsanweisungen für die Arbeit mit Flüssigstickstoff

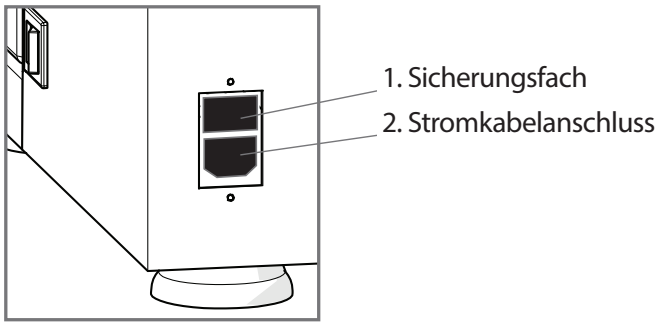
Der Bead Ruptor™ 96 kann mit Flüssigstickstoff zum kryogenen Mahlen von Mahlgefäßen betrieben werden. Mahlgefäße können zur Dissoziation widerstandsfähiger Materialien in einem Flüssigstickstoffbad vorgekühlt und anschließend auf dem Bead Ruptor™ 96 platziert werden. Die Kühl- und Verarbeitungszeiten sind vom Zielmaterial abhängig. Es wird dringend empfohlen, dass Sie die Sicherheitsanweisungen zur Handhabung von Flüssigstickstoff befolgen, die von Ihrem Händler für Flüssigstickstoff bereitgestellt werden.

WARNUNG: Tragen Sie stets Schutzhandschuhe und Schutzbrillen, wenn Sie mit Flüssigstickstoff arbeiten. Flüssigstickstoff hat eine Temperatur von -196° C und verursacht schwere Verbrennungen und Erfrierungen bei Kontakt mit der Haut oder mit den Augen.

Zubehör

Mahlgefäße	Bestellnummer
Edelstahl 25 ml - Zweierset	27-004
Edelstahl 50 ml - Zweierset	27-006
Mahlkugeln	
10 mm Edelstahl - Zehner-set	27-203
25 mm Edelstahl - Zehner-set	27-206
Well-Platten- und Röhrchen-Adapter	
Edelstahl - Zweier-set	27-101
PTFE - Zweier-set (Hält 48 x 0,5 - 2 ml Mikro-zentrifugen- oder Schraubverschlussröhrchen)	27-106
Adapter für 96-Well-2D-Barcodespeicher	
Micronic/FluidX 1.1 and 1.4 mL with septum style caps.	27-107
Thermo Fisher Scientific Matrix 1.1 mL, Micronic 1.1 mL, 1.4 mL and FluidX 1.1 and 1.4 mL storage tubes with septum style caps.	27-108
2 ml Edelstahlrohre - Satz von zwei Röhrchen mit Butzen	19-6001

Ersetzen der Sicherung



Die nachstehenden Sicherungen sind für den Bead Ruptor™ 96 erforderlich:

- 2 x 2AT 250 V (230 V)
- 2 x 5AT 250 V (115 V)
- Trennen Sie das Stromkabel vom Stromkabelanschluss (2).
- Durch Drücken der Verriegelung auf der Unterseite des Sicherungsfachs (1) wird die Sicherungshalterung freigegeben und die Sicherung kann entfernt werden.
- Ersetzen Sie die Sicherungen.
- Setzen Sie die Sicherungshalterung ein und drücken Sie diese, bis sie einrastet.

Fehlerbehebung

Fehler/Fehler	Mögliche Lösung
Ein-/Aus-Schalter leuchtet nicht auf, wenn der Bead Ruptor 96 eingeschaltet ist.	<ol style="list-style-type: none"> 1. Überprüfen Sie die Stromversorgung 2. Überprüfen Sie die Sicherungen und ersetzen Sie diese gegebenenfalls 3. Rufen Sie den Kundendienst an
Display-Bildschirm funktioniert nicht	Rufen Sie den Kundendienst an
“LID” wird auf dem Display angezeigt	Dies weist darauf hin, dass die Klappe geöffnet ist, wenn die Start-Taste gedrückt wird. Schließen Sie die Klappe und löschen Sie die Nachricht durch Drücken der Start-/Stop-Taste. Drücken Sie Start/ Stop, um den Zyklus zu starten.
Die Nachricht “Er1” wird auf dem Display-Bildschirm angezeigt	Der Motor hat überhitzt. Schalten Sie die Stromversorgung aus und lassen Sie den Motor abkühlen.
Die Nachricht “Er2” wird auf dem Display-Bildschirm angezeigt	Der Bead Ruptor™ 96 kann die festgelegte Schwingungsfrequenz nicht erreichen. Überprüfen Sie die Mahlgefäße auf Blockierungen. Schalten Sie die Stromversorgung AUS und wieder EIN, um die Fehlernachricht zu löschen.
Die Nachricht “Er3” wird auf dem Display-Bildschirm angezeigt	Die Klappe wurde während des Betriebes geöffnet. Die Stromversorgung muss AUSGESCHALTET und anschließend wieder EINGESCHALTET werden, um die Fehlernachricht zu löschen, bevor der Betrieb fortgesetzt werden kann.

ACHTUNG: Versuchen Sie NICHT, den Bead Ruptor™ 96 auf eine Weise zu warten, die nicht in diesem Handbuch beschrieben ist. Bei Problemen, die mit dieser Anleitung nicht behoben werden können, kontaktieren Sie bitte Ihren autorisierten Händler oder rufen Sie OMNI International, a PerkinElmer company an unter 1-800-776-4431.

DOMINIQUE DUTSCHER SAS

DOMINIQUE DUTSCHER SAS



OMNI
International
a PerkinElmer company

935 Cobb Place Blvd.
Kennesaw, GA 30144
800.776.4431 • 770.421.0058
www.omni-inc.com

PN: 03-296 Rev.G