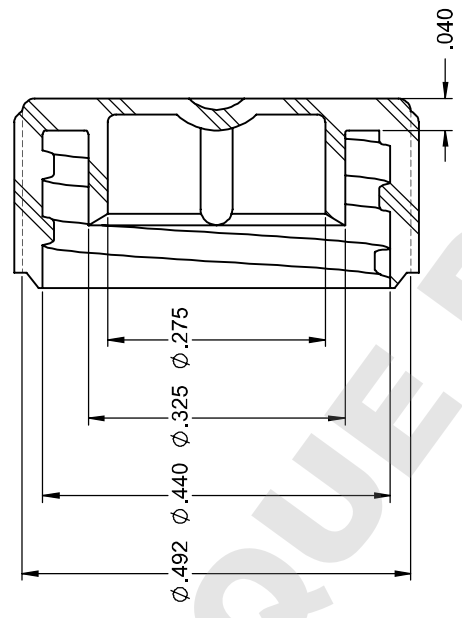
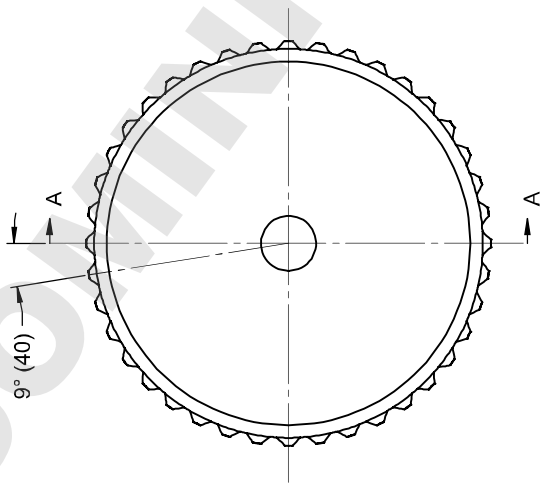
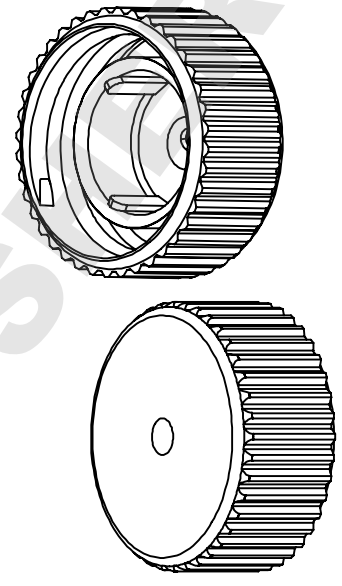
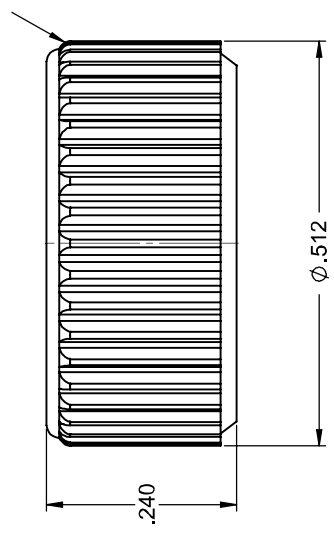
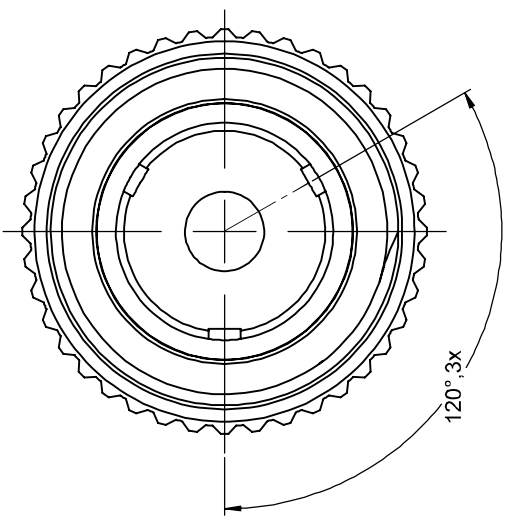


REV.	DESCRIPTION	DATE
A	Initial Release. Per EFR#558	09/26/12



SECTION A-A  
SCALE 6 : 1



PROPRIETARY AND CONFIDENTIAL  
 THIS DRAWING IS THE SOLE PROPERTY OF  
 THERMO FISHER SCIENTIFIC. ANY  
 REPRODUCTION OR TRANSMISSION OF  
 THIS DRAWING WITHOUT THE WRITTEN PERMISSION OF  
 THERMO FISHER SCIENTIFIC IS  
 PROHIBITED.

**ThermoFisher**  
**SCIENTIFIC**  
 2200 South McDowell Blvd., PETALUMA, CA 94954  
 PH.: 707-762-6689 / FAX: 707-762-7198

Part Name: THREADED TUBE CAP  
 Part Number: 524  
 Material: Polypropylene

Size: B DRAWING NO.: PD-524-CAP