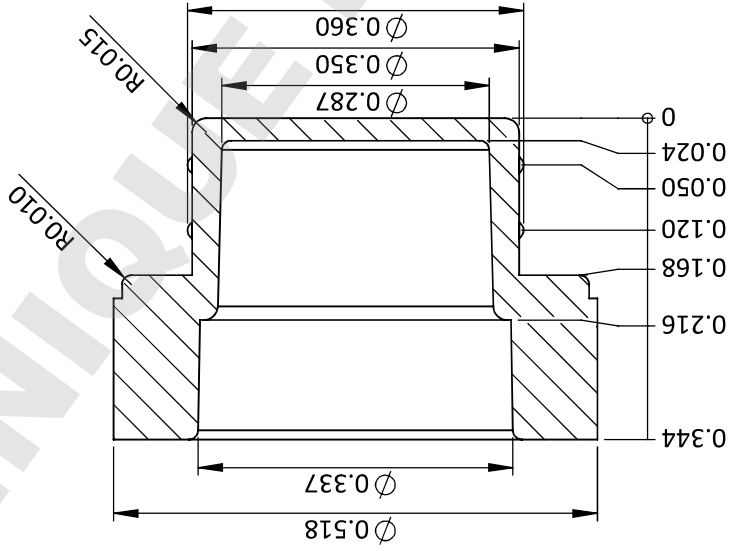
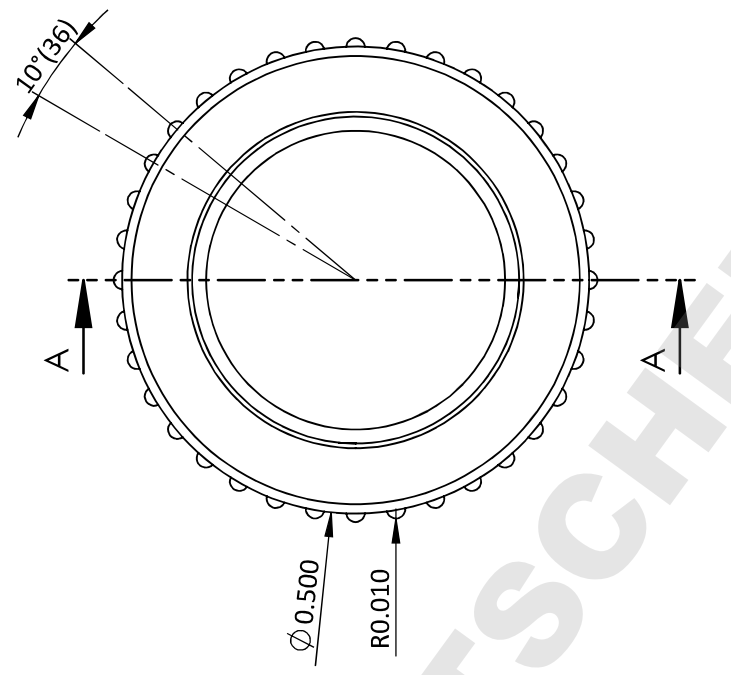


REVISIONS		DATE
REV.	DESCRIPTION	
A	Initial Release	05/23/13



<b>ThermoFisher</b> <b>SCIENTIFIC</b>	LHC, West Coast Operations	
	Part Name:	PLUG FOR 1.5ML MCT WHT
	Part Number:	506
	Material:	Polyethylene
	Color:	White
Drawing No. MRKT-506		SCALE: 1X Size A SHEET 1 OF 1

**PROPRIETARY AND CONFIDENTIAL**  
 THE INFORMATION CONTAINED IN THIS DRAWING IS THE SOLE PROPERTY OF THERMO FISHER SCIENTIFIC. MOLECULAR BIOPRODUCTS. ANY REPRODUCTION IN PART OR AS A WHOLE WITHOUT THE WRITTEN PERMISSION OF THERMO FISHER SCIENTIFIC, MOLECULAR BIOPRODUCTS IS PROHIBITED.

Unless otherwise specified dimensions are in inches and tolerances are as follows:  
 X.XX = ±0.010"  
 X.XXX = ±0.005"  
 X.XXXX = ±0.001"  
 Angles = ±1°