

Drummond New Product Innovations

New and
Improved!

Pipet-Aid® Hood Mate® Model 300

Put Unlimited Power and Control Under the Hood

- Longer coiled hose
- Improved hose support
- Extremely lightweight (4.3 oz.) handle—provides nine fill and empty speed settings and proportional fingertip control
- Never needs recharging—handle holder incorporates “auto off” energy-saving features
- Compact, convenient, and won't walk away—dedicated pump housing attaches to hood wall which saves space and prevents spills
- Coiled vacuum/pressure line entering handle from the top prevents accidental knocking over of bench items

The Drummond Pipet-Aid Hood Mate is specifically designed for convenient, comfortable pipetting under a hood. The Pipet-Aid Hood Mate can deliver precise volumes with exact control. This new unit is lightweight, never requires recharging and won't walk away from your workstation.

DRUMMOND PIPET-AID HOOD MATE

Cat. No.	Description
4-000-300	Pipet-Aid Hood Mate 110V
4-000-302	Pipet-Aid Hood Mate 220V, CE, European Version
4-000-303	Pipet-Aid Hood Mate 220V, CE, UK Version

Replacement Parts

Cat. No.	Description
4-000-002	Rubber Insert (2/pk)
4-000-051	Replacement Filters (5/pk)
4-000-057	TC Gaskets (pair)
4-000-079	Nosepiece (Black)
4-000-082	Backing Plate w/Tape
4-000-083	Replacement Tape
4-000-084	Valve Body Assembly
4-000-085	Coiled Hose
4-000-086	Hose Support



UV Resistant



MADE IN USA

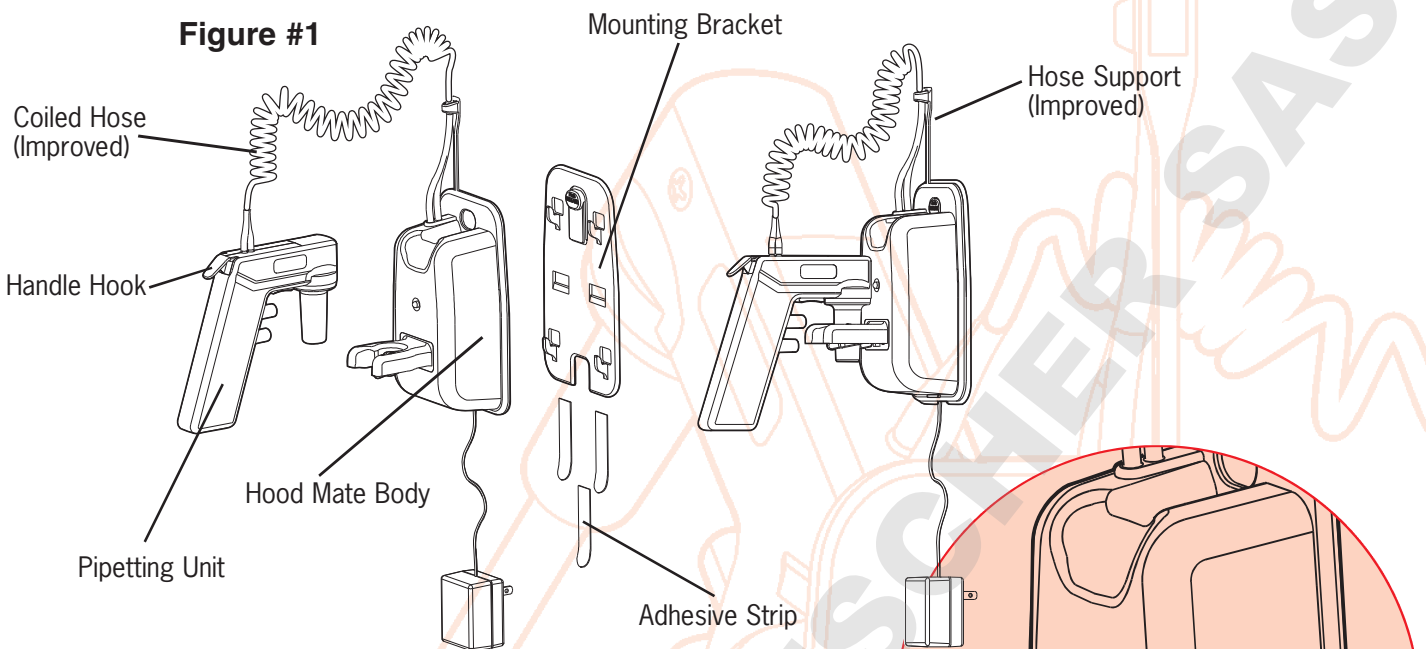


DRUMMOND
SCIENTIFIC COMPANY

500 Parkway, Box 700
Broomall, PA 19008
Call Toll Free: 1-800/523-7480
1-610/353-0200
FAX: 1-610/353-6204
Web site: www.drummondsci.com

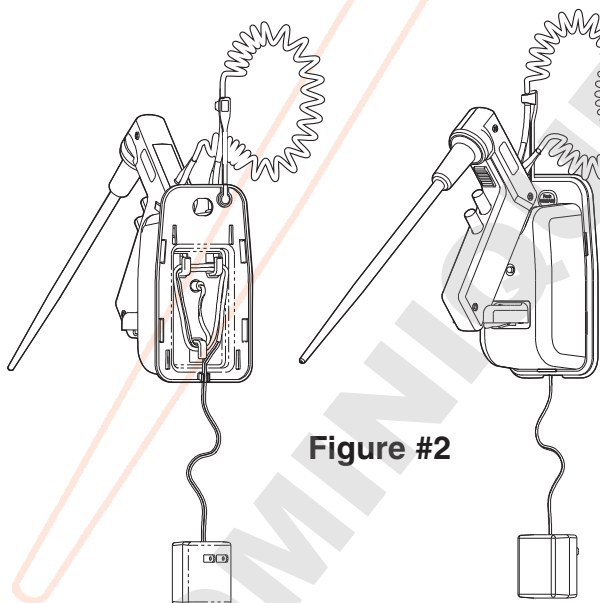
Drummond Pipet-Aid® Hood Mate® Model 300

Supplied Complete for Easy Installation and Operation including:



Power Indicator

While the Pipet-Aid® is in use the red light turns on. If the Pipet-Aid is not in use and/or not placed in either of the holding devices after 3 minutes the pump will automatically go into "sleep mode", shutting the pump off.



Cradle Options

The unit can either be held in the front by inserting the TC nosepiece into the front holster (Figure 1). Or, while holding a pipet, can be placed on top by the handle hook while resting the handle in the holster (Figure 2).

Speed Controls

Both buttons featured on the Pipet-Aid have a multi-speed range, "F" fast, "M" medium, "S" slow. The speed is selected by rotating the button on its axis until a detent is felt, the speed chosen is visible when the handle is held in the right hand. The flow rate is proportional to the amount the button is depressed, allowing for the buttons to be pushed at a desirable pressure.

Filter

The pipetting unit incorporates a Tissue Culture (TC) Nosepiece, which features a unique filter element. This filter is a dual layered apparatus with both a hydrophilic and hydrophobic layer. The TC filter will cease to pass air in either direction when it becomes wet, alerting the user to possible contamination of the rubber insert. The filter must be replaced following contact with an aqueous solution.



500 Parkway, Box 700
Broomall, PA 19008
Call Toll Free: 1-800/523-7480
1-610/353-0200
FAX: 1-610/353-6204
Web site: www.drummondsci.com