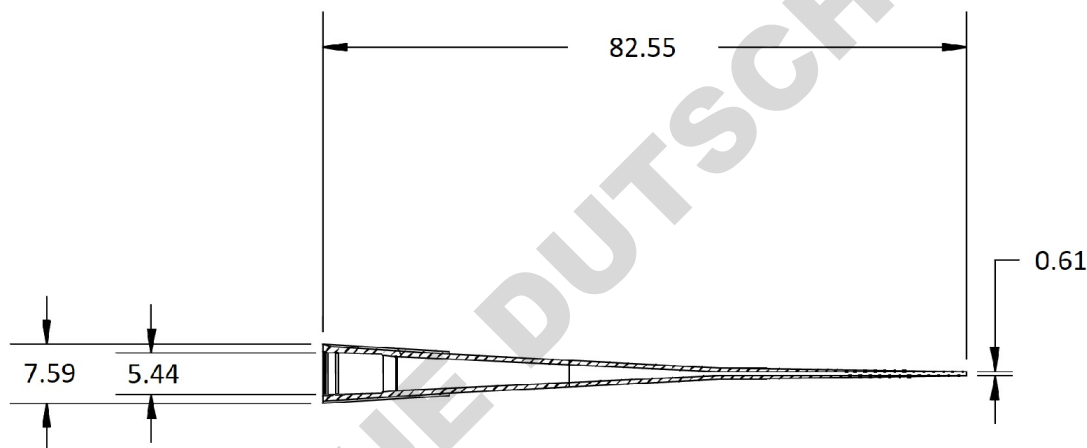


Valid for Item-No.: 775390



DOMINIQUE DUTSCHER SAS

"All dimensions in mm"
Customer drawing subject to change without notice!

Uncontrolled Copy

Prior Issue	Drawn	Approved	Released	CONFIDENTIAL: Information contained in this document or drawing is confidential and proprietary to Greiner Bio-One GmbH. This document may not be reproduced for any reason without written permission from Greiner Bio-One GmbH. All rights of design, invention, and copyright are reserved.
Revision	Date 2022/03/17	Date 2022/03/25	Date 2022/03/25	
Date	Name forb	Name forb	Name kronm	