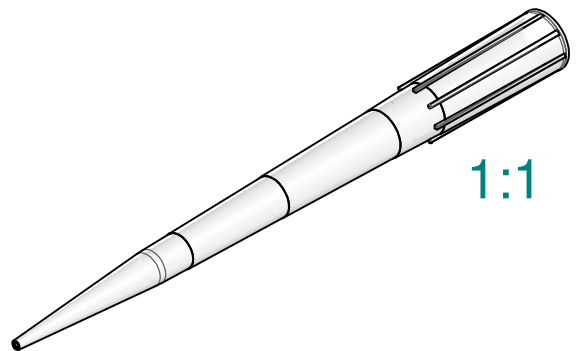
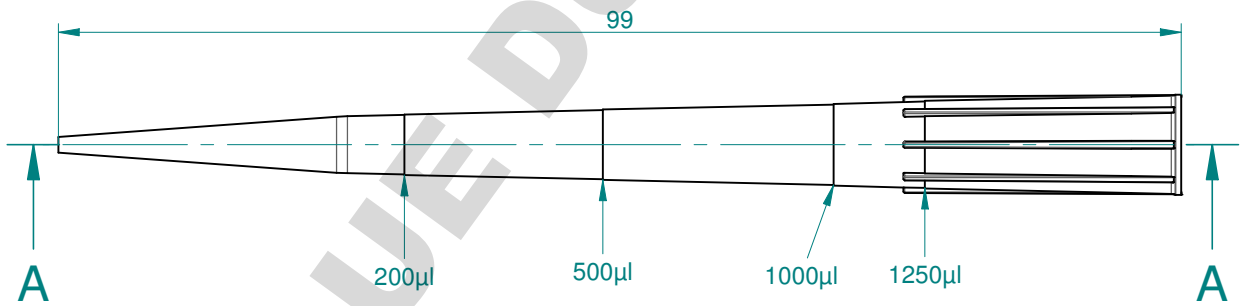


Valid for Item-No.: 778350, 778351, 778352 778354, 778355

Related box: 770340 (blue insert)

# CONFIDENTIAL

## SECTION A-A



1:1

"All dimensions in mm"

Customer drawing subject to change without notice!

**Uncontrolled Copy**

|             |               |            |           |                                                                                                                                                                                                                                                                                                                  |
|-------------|---------------|------------|-----------|------------------------------------------------------------------------------------------------------------------------------------------------------------------------------------------------------------------------------------------------------------------------------------------------------------------|
| Prior Issue | Drawn         | Approved   | Released  | <small>CONFIDENTIAL:</small><br>Information contained in this document or drawing is confidential and proprietary to Greiner Bio-One GmbH. This document may not be reproduced for any reason without written permission from Greiner Bio-One GmbH. All rights of design, invention, and copyright are reserved. |
| Revision    | Date          | Date       | Date      |                                                                                                                                                                                                                                                                                                                  |
| -           | 24.07.2019    | Jul. 2019  | Jul. 2019 |                                                                                                                                                                                                                                                                                                                  |
| Date        | Name          | Name       | Name      |                                                                                                                                                                                                                                                                                                                  |
| -           | N. Schöfecker | M. Mizelli | R. Heller |                                                                                                                                                                                                                                                                                                                  |