

Authorized by: Product Management, Amsterdam, The Netherlands

**Article code:** CLTA00001CLR0001

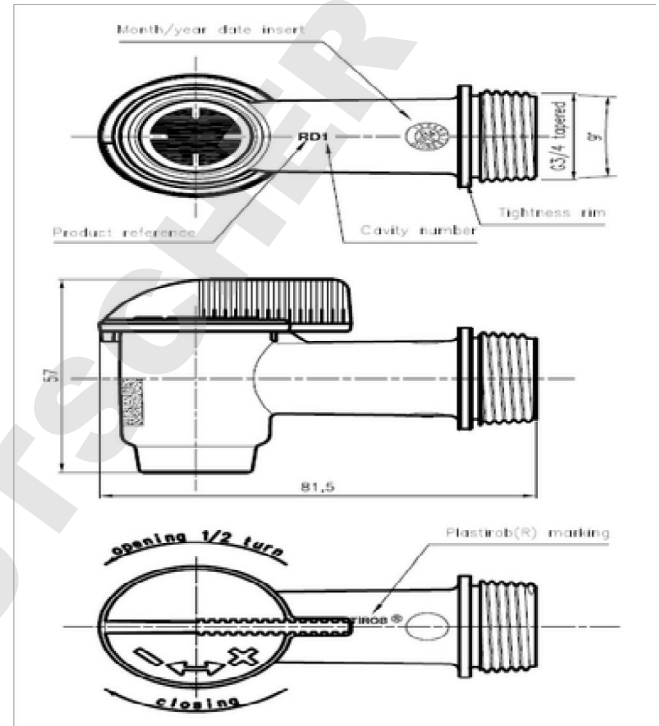
**Article information:** G3/4 PLASTIROB® PE FAUCET WITH FLOW REGULATOR

### GENERAL INFORMATION

- Product group: PLASTIROB® dispensing taps
- Type model: PLASTIROB 17 mm
- Material: Polyethylene
- Size: G3/4 (20mm) / this thread is ISO-228 compatible
- Surface print / Finish:
- Washer: No washer/gasket

### PACKAGING INFORMATION

- Component weight (grams): 23
- Box quantity (pieces): 500
- Box weight (kg): 11
- Pallet quantity: 9000
- Pallet weight (kg): 244



**Material:** PE

**Finish:**

**Item Number:** CLTA00001CLR0001

**Item Drawing:** TSF-402598

### COMMENTS

- More information about application can be found on our website under "Library of brochures". Please contact your local Tri-Sure® Sales representative for packaging advice and testing for specific products.
- For the correct application of our products general information is available on our website [www.Tri-Sure.com](http://www.Tri-Sure.com).
- Minimum order quantity: 1 box
- Food Packaging Regulations: The raw materials used are in compliance with §177.1520 of the FDA: Olefin polymers.
- For customisation options (printing, embossing, other colours) please contact your local Tri-Sure® representative. Minimum order quantity may apply.

**Disclaimer:** All information on our behalf in relation to our products, whether in nature of date, recommendations or otherwise, is supported by research and believed reliable, but we assume no liability whatsoever in respect of application, processing or use made of the aforementioned information or products or any consequence thereof. The user undertakes all liability in respect of the application. Processing or use of the aforementioned information or products, whose quality and other properties he shall verify, or any consequence thereof. No liability whatsoever shall attach to us for any infringement of the rights owned or controlled by a third party on intellectual, industrial or other property by reason of the application, processing or use of the aforementioned information or products by the user.