



JIZERSKÁ PORCELÁNKA, s.r.o.

Producer of laboratory and technical porcelain since 1947



17.4.2018

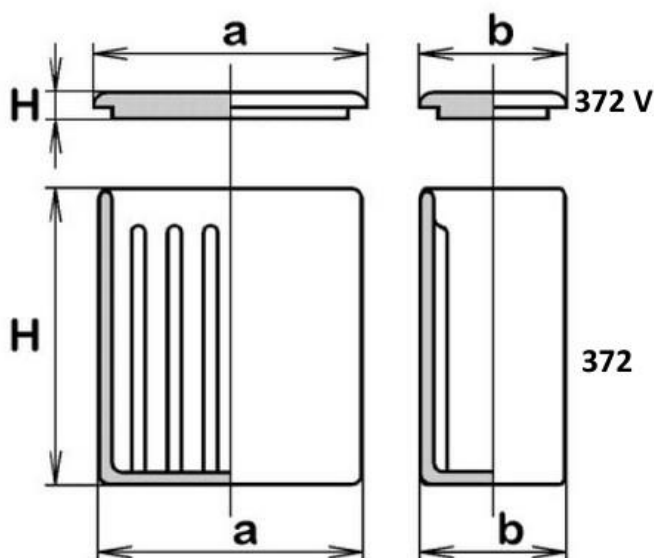
PRODUCT SPECIFICATIONS SHEET

Page 1/2

Colouring box with lid

Jizerská porcelánka s.r.o. certifies, that the specified products meet all specifications and quality criteria for release. The products comply in every respect with the relevant particular specifications, drawings, relevant standards and regulations in force.

Sign	JIPO Code	a (mm)	b (mm)	H (mm)
372	641 332 372 001	70	40	86
372 V	641 332 372 011	75	48	6



Intended uses: Laboratory applications

Material: Porcelain C110

Shape: Box with lid



JIZERSKÁ PORCELÁNKA, s.r.o.

Producer of laboratory and technical porcelain since 1947



17.4.2018

PRODUCT SPECIFICATIONS SHEET

Page 2/2

Colouring box with lid

Compliant to: ISO material for the manufacture lies within the group C110 according to ČSN EN 60672 -3
Product dimension tolerances are controlled by DIN 40680
Acid resistance acc. to ISO 1775

Properties: Unglazed products can be used at temperatures up to 1350°C / 2462°F and glazed ones at temperatures of up to 1000°C / 1,832°F (Δt 230°C)
Products have high resistance to acids and bases
Density 2.4 g/cm³
Bending strength of unglazed products (70MPa)
Thermal conductivity (W.m⁻¹.K⁻¹) = 1.3

The compliance of demands is proved by regular tests and followed noticed tests from an independent laboratory:

Test according ČSN EN 60672-2
Test resistance to acids and bases

Disclaimer: Jizerská porcelánka s.r.o. wants to state that these specifications can only be regarded as general information and will not discharge the user from his obligation to ensure the product is suitable for the intended use. If there's any doubt ask us.