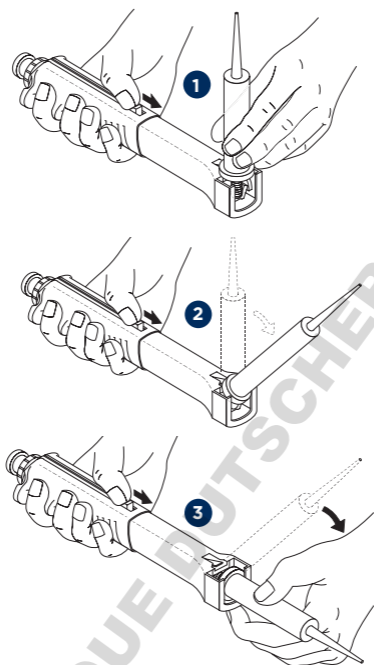


distritips®

EASY-TO-MOUNT



Take the following steps to ensure the DISTRITIP is correctly fitted:

1. Use your thumb to push the filling knob downwards to its lowest possible position.
1 Hold the filling knob firmly in place with your thumb.
2. Take the DISTRITIP in your other hand, and then place the end of the piston into the body of DISTRIMAN at a right angle to the main axis **1**.
3. Gently rotate the DISTRITIP downwards with the other hand **2** and then use moderate pressure with your thumb to snap the syringe into place **3**.

Finally, check that the piston of the syringe is correctly fitted by pushing the filling knob upwards.

www.gilson.com/contactus

Specifications subject to change without notifications - errors omitted.

 **GILSON®**

LT801301/H | ©07/2017 Gilson, Inc. All rights reserved.