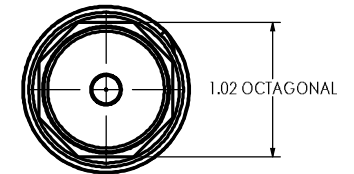
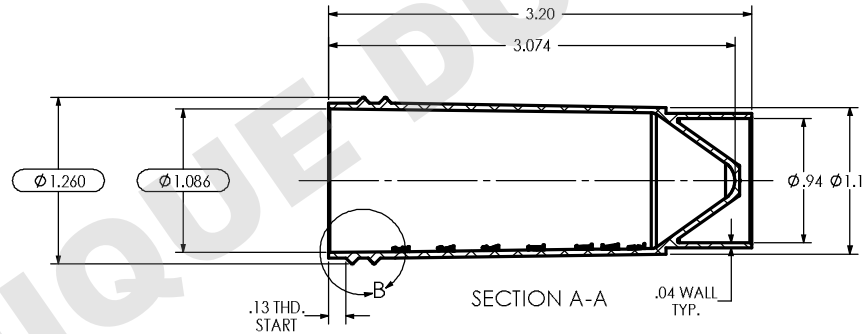
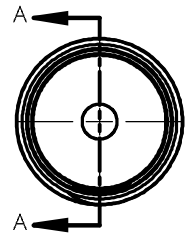
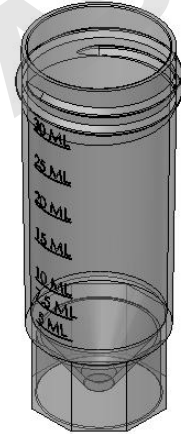


DETAIL B
SCALE 4 : 1

6 THREADS PER INCH



CONTROL DIMENSIONS ARE INDICATED AS SHOWN

DRAFT PERMISSIBLE
ON ALL SURFACES

LET	DATE	CHANGE	BY
DR: JJF	DATE: 11/22/16	CK: MFM	SCALE: 1:1
MATERIAL: POLYPROPYLENE		COLOR: NATURAL PM:	
TOLERANCE UNLESS OTHERWISE SPECIFIED: +/- .010" PER INCH ON .000 DECIMAL, MIN +/- .010" +/- .020" PER INCH ON .00 DECIMAL, MIN +/- .020" +/- .030" PER INCH ON .0 DECIMAL, MIN +/- .030"			
DESCRIPTION:		220-3530-030	
DWG NO:		200392	
<small> Important Notice: All statements, technical information, and recommendations related to Caplugs products are based on information believed to be reliable, however, the accuracy or completeness is not guaranteed. Before using any Caplugs product you must evaluate it and determine if it is suitable for your intended application. You assume all risks and liability associated with such use. Any statements related to the product which are not contained in Caplugs current publications, or any contrary statements contained on your purchase order shall have no force or effect unless expressly agreed upon, in writing, by an authorized officer of Caplugs. Warranty: Limited Remedy; Limited Liability. This product will be free from defects in material and manufacture as of the date of purchase. Caplugs MAKES NO OTHER WARRANTIES INCLUDING, BUT NOT LIMITED TO, ANY IMPLIED WARRANTY OF FITNESS FOR A PARTICULAR PURPOSE. If this product is defective your exclusive remedy shall be to replace the product or refund the purchase price of the Caplugs product, regardless of the legal theory asserted. The information disclosed herein contains proprietary rights of Caplugs and is not to be reproduced, used or disclosed to others for manufacturing or any other purpose except as specifically authorized in writing by Caplugs. </small>			