

1

2

3

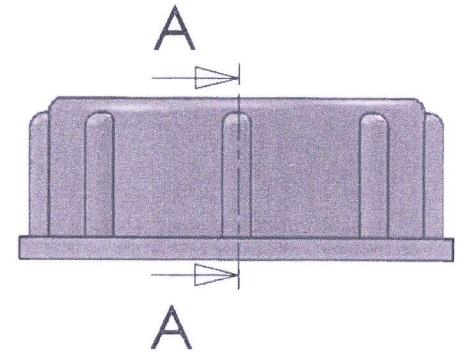
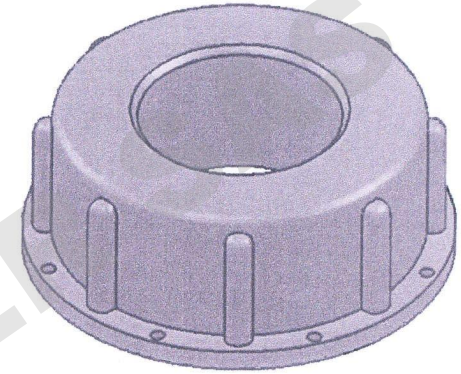
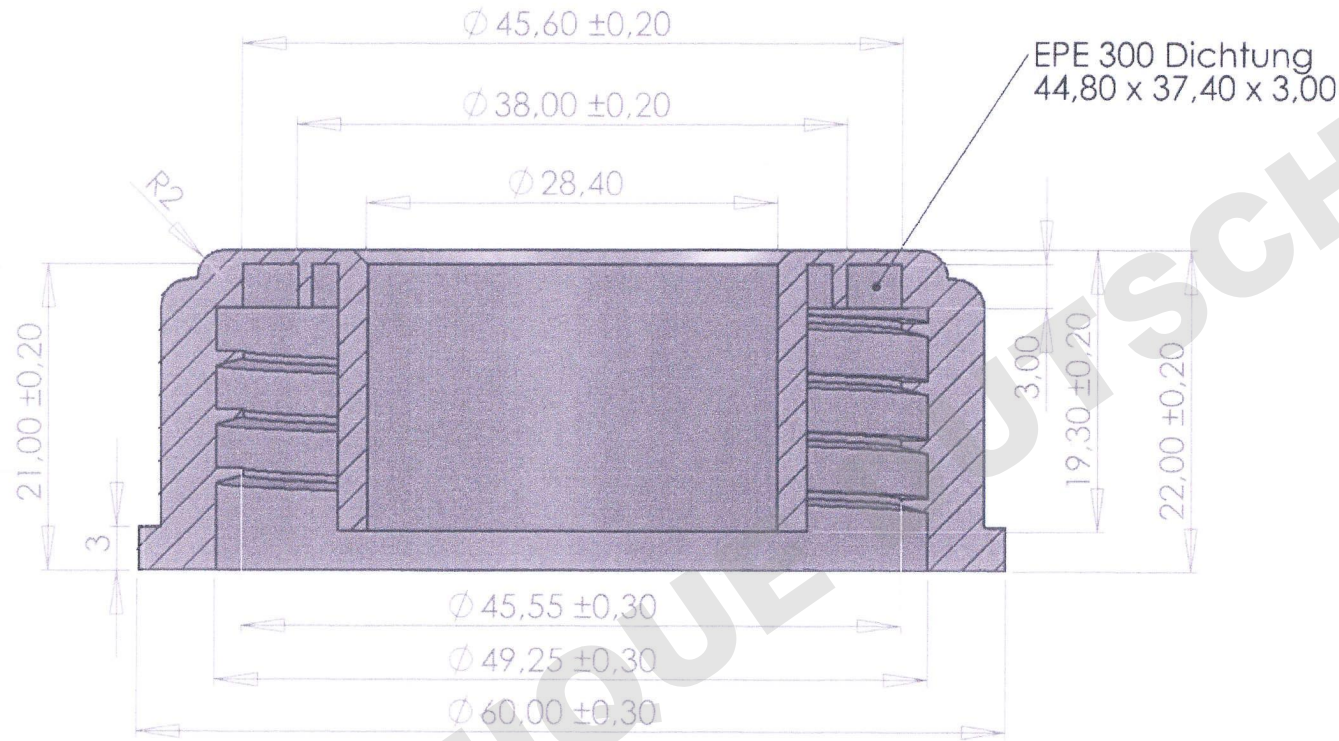
4

5

6

A

A



B

C

B

C

**SCHNITT A-A**  
**MAßSTAB 2 : 1**

UNLESS OTHERWISE SPECIFIED: FINISH:  
DIMENSIONS ARE IN MILLIMETERS  
SURFACE FINISH:  
TOLERANCES:  
LINEAR:  
ANGULAR:

DEBUR AND  
BREAK SHARP  
EDGES

DO NOT SCALE DRAWING

REVISION

NAME	SIGNATURE	DATE
DRAWN		24.09.09
CHK'D		
APP'VD		
MFG		
Q.A		

TITLE:

MATERIAL

DWG NO.

HDPE - Hostalen 5531B

WEIGHT:

SCALE:1:1

SHEET 1 OF 1

A4

1

2

WEIGHT:

SCALE:1:1

SHEET 1 OF 1