



**Service and Contact:**

In the event that service or technical support is required, please contact Benchmark Scientific by phone at 1-908-769-5555 or by email at [info@accuris-usa.com](mailto:info@accuris-usa.com).



A division of



P.O. Box 709 Edison, NJ 08818 USA  
Ph: 908-769-5555 EM: [info@BenchmarkScientific.com](mailto:info@BenchmarkScientific.com)

**MYVOLT™  
TOUCH**

**Series E2301**

**300V Power Supply**

**Operating Manual**

Version 10.18  
Software rev. 3.1

**This product is for research only**



Use caution when cleaning near the housing vents.  
Do not allow liquid to enter the power supply.

## Contents

1. Introduction.....	1
2. Product Overview.....	2
3. Specifications.....	3
4. Installation.....	4
5. Warnings.....	5
6. Operating Guide.....	6
7. Starting an Electrophoresis Run .....	8
7. Overview of Electrical Principles.....	8
8. Maintenance.....	8
9. Troubleshooting.....	9

## 9. Troubleshooting

Problem	Causes	Solution
No display	Power not connected. Fuse blown.	Check cord connection and power supply, Unplug and re-attach cord. Check and replace fuse at power inlet.
Voltage or Amperage setting not reached	Maximum wattage exceeded	Resistance of the load (gel tank buffer) is too low. Check/change buffer concentration.
NO LOAD displayed	Connection wires not attached properly. Buffer is not conductive.	Check wire connections. Check buffer concentration.
SHRT CKT (short circuit) displayed	connected load has resistance less than 10 ohm	Check buffer concentration. It may be too high.
OV (Over Voltage) displayed	Output voltage is above 325V	Adjust settings to limit voltage below 300V
PWR LIMIT (Power Limit) displayed	The total wattage (Volt x Current) exceeds 100W limit	Adjust settings or buffer conc. to limit voltage and amperage to within allowable range.

## 7. Starting an Electrophoresis Run

Set the parameters of Time, Voltage and Current according to requirements. Connect the leads from a compatible electrophoresis tank to the appropriate positive (+) and negative (-) output jacks on the power supply.

Press the START button to start a timed run. Press PAUSE or STOP to stop a run. Pressing PAUSE will pause the run, and the timer will show remaining time for the run. Press RE START to restart the run.

## 8. Overview of Electrical Principles

**Voltage:** The amount of potential energy between two points in a circuit.

**Current:** The time rate of flow of an electric charge, measured in amperes.

**Resistance:** A material's opposition to the flow of electric current, measured in Ohms.

**Power:** The rate at which electric energy is transferred by an electric circuit. Electric power is expressed in units of watts, one watt is equal to one joule per second.

**Current (I) = Voltage (V) ÷ Resistance (R)**

**Resistance (R) = Voltage (V) ÷ Current (I)**

**Power (W) = Current (I) x Voltage (V)**

## 9. Maintenance



Always disconnect the power cord for cleaning. When cleaning the surfaces of the instrument, use a lightly dampened cloth with mild detergent if needed. Do not use any corrosive solutions that could damage plastic.

## 1. Introduction

Thank you for purchasing the *Accuris myVolt Touch*™ Electrophoresis Power Supply with touch screen control.

This operating manual includes a product introduction, and important operating and safety information. Before using the power supply, please read this manual in its entirety to understand the operation and safety warnings. Keep this manual for future reference.

Please check the contents when opening the box, and if there are any parts missing, damaged, or incorrect, please contact Accuris by phone at 1-908-769-5555 or by email at info@accuris-usa.com.

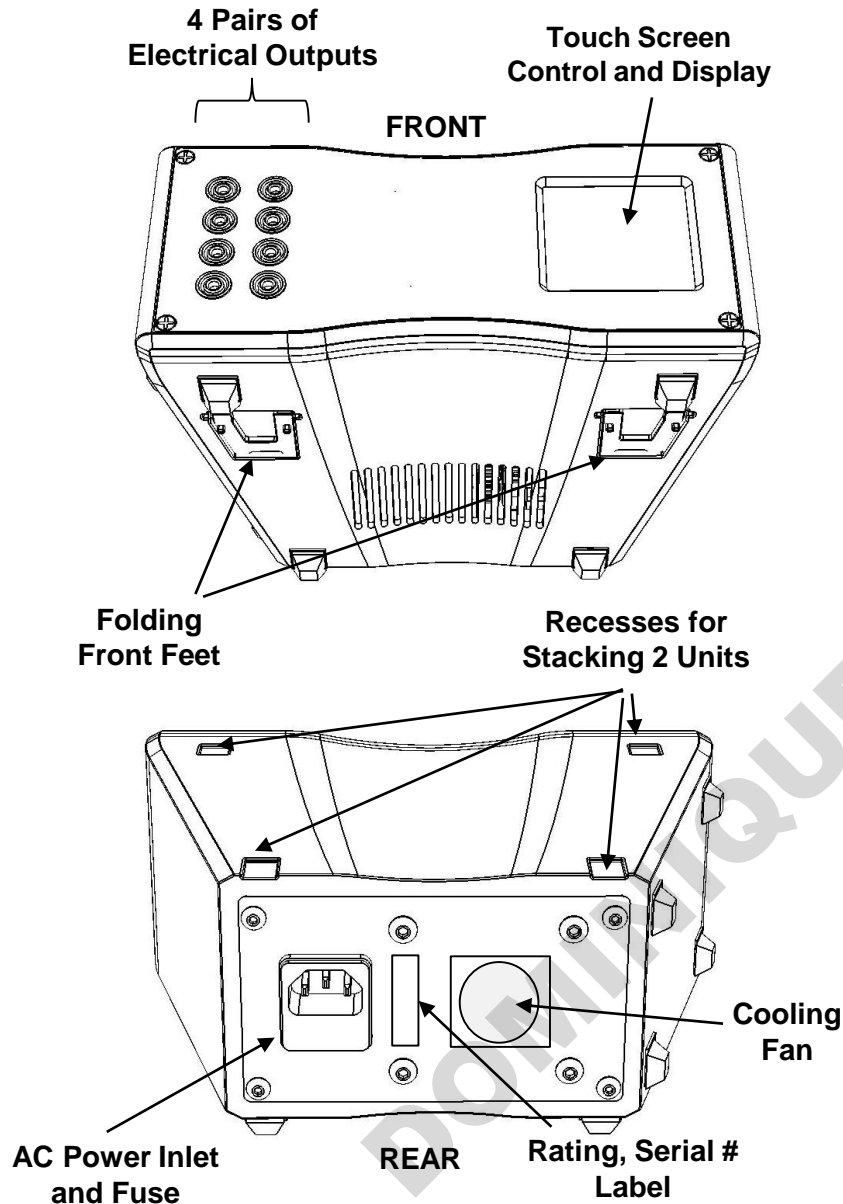
The *myVolt Touch* is a DC Power Supply for electrophoresis separations. It is designed for laboratory research applications.

The power supply has 4 sets of outputs that accept standard electrical leads with banana plugs and should only be used with electrophoresis tanks that incorporate sufficient safety features to prevent electric shock. Some types of shielded plugs may not fit into the output jacks, and in this case an adapter

### WARNING:

This power supply outputs high voltage and current and should be used only by experienced laboratory personnel that understand how to safely operate the instrument. Incorrect usage can present a shock or electrocution hazard.

## 2. Product Overview



In CONSTANT CURRENT mode, the power supply will output the set mAmp current parameter, and the voltage will fluctuate relative to the resistance of the load (buffer concentration in the attached electrophoresis tanks) up to a maximum of the voltage setting that has been chosen.

### 6.4 Automatic Cross Over

During an electrophoresis run, the power supply will attempt to maintain the constant voltage or amperage setting, depending on which parameter is set to "CONSTANT".

If, during a run, the non-constant parameter setting (limit) is met due to the resistance of the load, the power supply will automatically "cross over" so the non-constant parameter will now be the constant and limiting parameter. A red outline will appear around the new "constant" value.

### 6.5 Maximum Power Limit

The myVolt Touch Power Supply has a maximum power output of 100 Watts.

Per Ohms Law:

$$\text{Power (W)} = \text{Current (I)} \times \text{Voltage (V)}$$

If the maximum power is reached during an electrophoresis run, the non-constant parameter will be limited to prevent exceeding the maximum power output. PWR LMT will be displayed.

**CAUTION:** It is not recommended to run the power supply at or near the maximum wattage, as this will cause the power supply and gel tank to get hot. Most standard electrophoresis buffer concentrations will not have such low resistance that the current and voltage level will come close to the maximum power limit.

## 6.2 Setting Parameters

The myVolt Touch Power Supply has 3 main parameters that can be adjusted: Run Time (TIME), Voltage (VOLTAGE), and Current (mAMP).

(See section 7 for an overview of Voltage, Current, Resistance, and Power)

Press the parameter box to adjust the value. The selected parameter box will be highlighted. Press the UP/DOWN arrows to change the value.

Adjust parameters (TIME, VOLTAGE, mAMP) as required for the electrophoresis application.

The timer can be set for 1 min to 20 hours. For a continuous run, set the timer down to 1 min, then press the down button and "CONT" is displayed.

## 6.3 Constant Voltage / Constant Amperage

The myVolt Touch can be set to run with constant voltage or constant amperage output, with the non-constant parameter set as a limit.

Press the box "CONSTANT ..." to switch between "CONSTANT CURRENT" and "CONSTANT VOLTAGE" running modes.

In constant voltage mode, the power supply will output the set voltage, and the mAmp current value will fluctuate ("float") depending on the resistance of the load, up to a maximum of the mAmp current setting that has been chosen. The buffer concentration and size of the electrophoresis gel box will dictate the resistance.

## 3. myVolt Touch Specifications

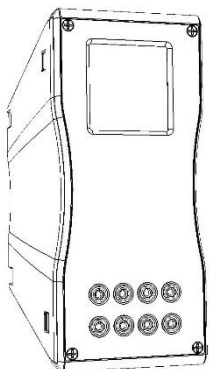
<b>myVolt Touch, Model E2301, 300V Power Supply</b>	
Output Voltage	10 to 300 VDC, in 1 V increments
Voltage Accuracy	+/- 2% of displayed value or 3V (whichever is greater)
Output Current	4 to 400mA, in 1 mA increments
Current Accuracy	+/- 2% of displayed value or 5mA (whichever is greater)
Maximum Power	100 Watts
Output Terminals	4 Pair, wired in parallel
Timer	1min to 20 hours, or continuous
Control Panel	Capacitive touch screen
Display	Color TFT, LCD
Fuse	250V 2.0A, 5x20mm, Type T
Operating Temp	0 – 40° C
Humidity	0 – 95%
Dimensions	8.5x6.3x4.0in/21.5x15.5x9.75cm(W×D×H)
Net weight	1.5 lbs / 0.68 kg
Input Electrical	100 to 240 VAC, 50/60Hz

## 4. Installation

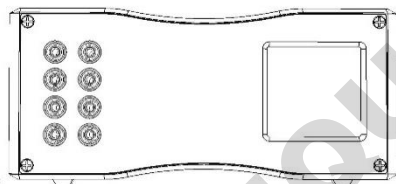
Place the power supply on a smooth, level surface in an area where it will not contact liquids or chemicals.

The myVolt Power Supply features “Dual Orientation” technology, so it can be placed horizontally or vertically on the laboratory bench or shelf. The display screen system is designed to recognize its orientation and the display will rotate automatically to be right-side-up.

Vertical Orientation



Horizontal Orientation



Connect one end of the included power cord to the instrument and the other end to an appropriate electrical outlet. Check the Rating/Serial # label on the rear of the power supply for the required electrical input. Turn on the power using the main power switch on the rear of the instrument.

## 5. Warnings



To avoid electrical shock, do not use this product with wet hands and ensure that all electrical leads being used are dry. Only use electrical leads that offer sufficient protective insulation and gel boxes that have appropriate safety lid systems and are rated for the appropriate voltage and amperage levels.



Please carefully read this instruction manual before operation to avoid any personal injury. Only trained laboratory personnel should operate the system.



Do not attempt to open or repair the MyVolt Power Supply. Contact Benchmark Scientific for service.



Always use the MyVolt Power Supply in an environment with low humidity and low dust, also keep it away from water, direct sunlight / strong light, corrosive gas, high magnetic fields, heaters, fires and other heat sources.

## 6. Operating guide

### 6.1 Touch Screen Control

