

Deep Well Microplate for Thermo Scientific™ KingFisher™ Systems

*Fully compatible 2.2 ml, 96 well microplate for
automated protein and nucleic acid purification*



Designed for a perfect fit, the Porvair Sciences 2.2ml 96 deep well plate is specifically made to be fully compatible with the Thermo Scientific™ KingFisher™ range of purification systems.

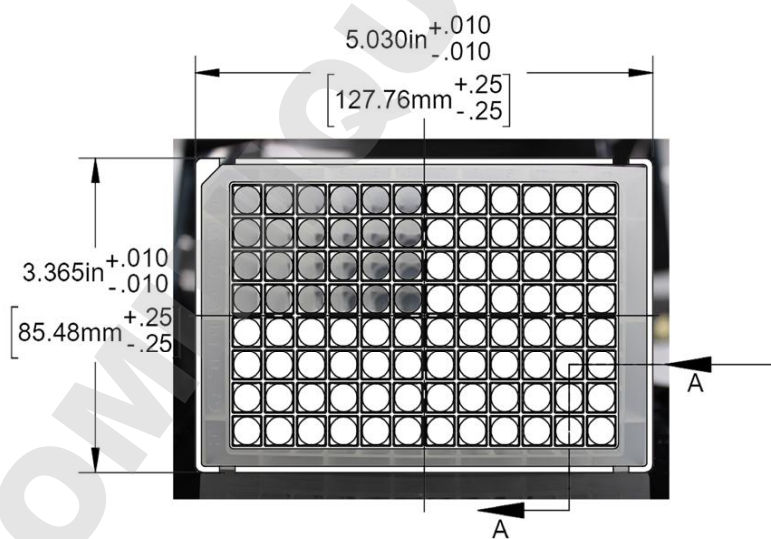
Our expertise in clean room plate manufacturing and use of virgin polypropylene ensures plates are produced with low binding affinities for biomolecules and low leachables. This maximises the yield and quality of isolated proteins and nucleic acids from samples. The Porvair Sciences 96 deep well plate improves assay performance when used in conjunction with KingFisher™ Flex, Duo Prime, and Presto instruments.

Compatible Instruments

Thermo Scientific™ KingFisher™ Purification System (Duo Prime, Flex, Apex and Presto)
Autosampler Instruments
Ultraseal™ Pro (Product # 500290)

Key Features

- 2.2 ml, 96 deep well plate
- Working volume 50 µl - 1000 µl
- V-bottom for maximum liquid uptake
- Low leachables and extractables
- Made from polypropylene for low affinity binding of biomolecules
- High chemical and temperature resistance (-196 °C to +120 °C)
- Free of detectable DNase, RNase, human DNA



Porvair Sciences 96 deep well plate is designed to tight specifications required for full compatibility with all Thermo Scientific™ KingFisher™ automated purification systems.

Low Affinity Binding Microplates for Sample Purification

The deep well plates are manufactured using virgin polypropylene for the lowest leachables, extractables and is free from DNase and RNase. This allows samples to be purified with the confidence of no risk of contamination or interference during magnetic particle processing. Ideal for low abundant biomolecules or high sensitivity assays.

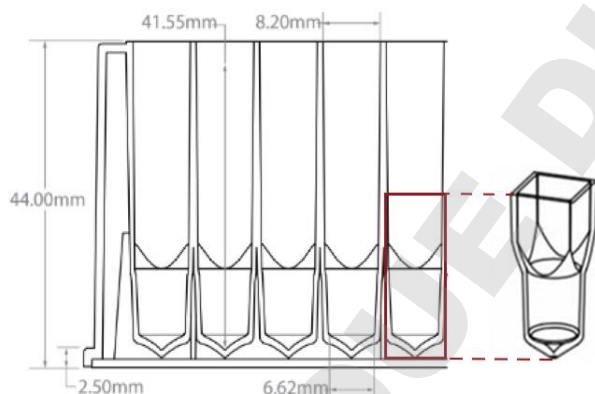
The versatile microplate is suitable for

- DNA and RNA purification
- Protein purification
- Protein immunoprecipitation and Co-IP
- ChIP assays

Designed for Compatibility and Efficiency

Each v-shaped bottom well supports the specialised magnetic tips of all KingFisher™ Instruments with a perfect fit and maximises liquid sample collection, mixing and uptake during the purification process. From sample collection, mixing to purification, the Porvair Sciences 96 deep well plate is designed to ensure reproducible purification of cells, proteins and nucleic acids from a wide range of samples.

- Alphanumeric reference grid for easy tracking and dispensing of samples
- Perfect for short and long-term sample storage
- Raised rims for heat sealing
- Autoclavable
- ANSI/SLS standard footprint



Each microwell is designed to fit the magnetic tips of all KingFisher™ purification systems using magnetic separation technologies.



THE PORVAIR PROMISE - FIT FOR PURPOSE

At Porvair Sciences, we design, develop and manufacture our products to the highest standards, which is why we can guarantee that our 96 deep well plate will be a perfect fit for your Thermo Scientific™ KingFisher™ instrument. Should our plates fall short of compatibility or performance when used in your KingFisher™ system, we will recover and refund your unused plates.

Ordering Information

Product #	Description	Qty
219013	96 Deep Well Plate, 2.2 ml, working volume 50 µl - 1000 µl, Polypropylene, pyramid bottom, DNase/ RNase free (for Thermo Scientific™ KingFisher™ Duo Prime, Flex, Apex and Presto)	10 Packs of 5 Plates

EU/RoW Enquiries: int.sales@porvairsciences.com

USA Enquiries: info@jgfinneran.com

porvair
sciences

FINNERAN