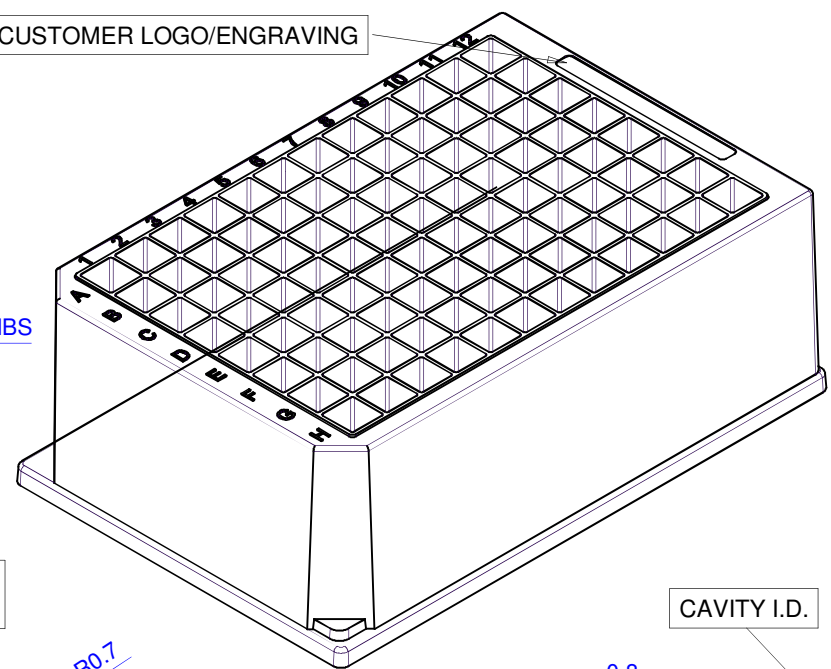


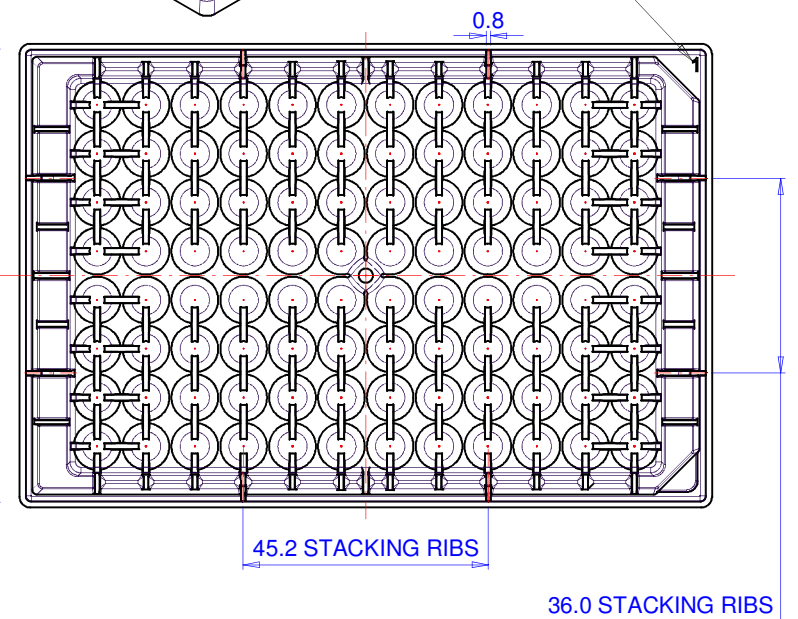
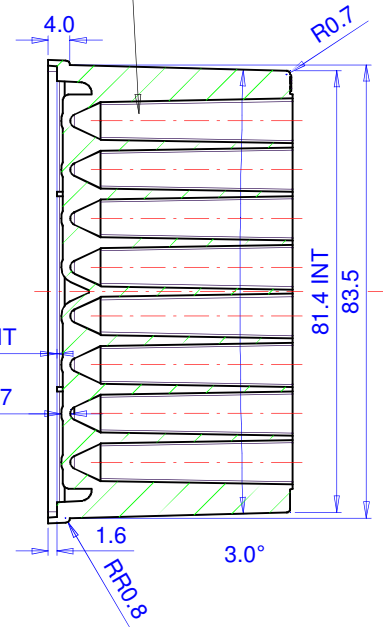
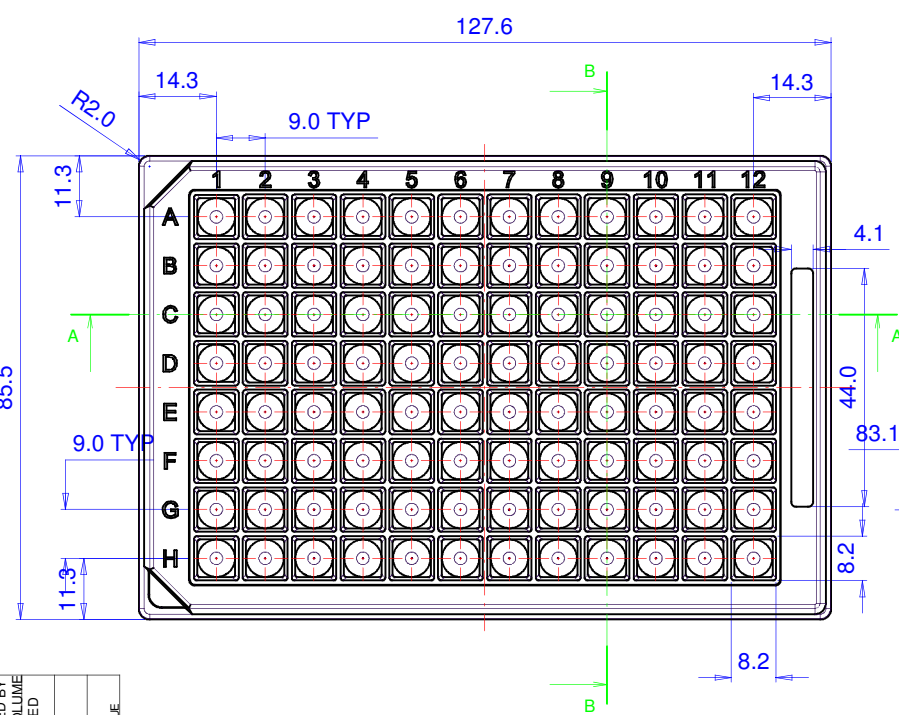
RECESS FOR CUSTOMER LOGO/ENGRAVING



1.6 TOP OF STACKING RIBS

CAVITY I.D.

CALCULATED WELL VOLUME = 2.12ml



PART VOLUME = 143.6 cm<sup>3</sup>  
PART WEIGHT IN PP = 130 GRAMS

No.	Date	Revision
1	5/11/15	
2	4/12/15	PART THICKNESS INCREASED BY 1MM TO INCREASE WELL VOLUME
3	18/12/15	WELL DRAW TAPER MODIFIED TO 0.98 DEGREES.
4	18/12/15	WELL BTM WALL SECTION DIMS ADDED
5	09/08/16	DRAFT ON OUTSIDE INCREASED TO 1.3 TO CORRECT STACKING ISSUE

FIRST ANGLE PROJECTION		IF IN DOUBT - ASK DO NOT SCALE		ALL DIMENSIONS IN MILLIMETRES		PORVAIR SCIENCES LTD KINGSTON RD, LEATHERHEAD, KT22 7PL. T: 01872 834288 W: www.porvairst-sciences.com	
THIS DRAWING IS THE PROPERTY AND COPY RIGHT OF PORVAIR SCIENCES LTD AND MUST NOT BE REPRODUCED OR TRANSMITTED IN ANY FORM OR BY ANY MEANS WITHOUT THE WRITTEN PERMISSION OF PORVAIR SCIENCES LTD		GENERAL TOL. (U.O.S)	MATERIAL	CHECKED	R.S.	DRAWN	R.S.
		X.XX = 0.1 X.X = 0.25 X = 0.5	PP	ARCHIVE FILE	DATE	SCALE	TITLE
PRESS DETAIL		N/A	SHRINKAGE	N/A	NOV 2015	1:1	96 SQUARE WELL PLATE 219030
				DWG No.	219030		JOB No. HT-12072
							SHT 1 OF 10F