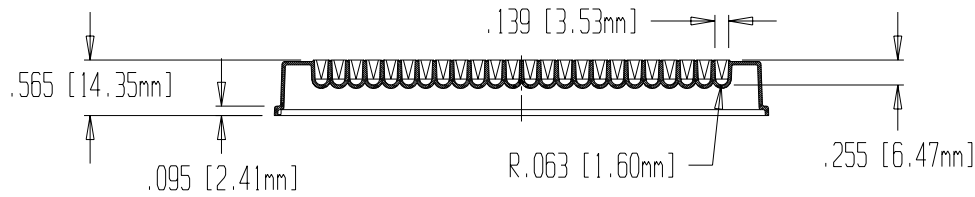
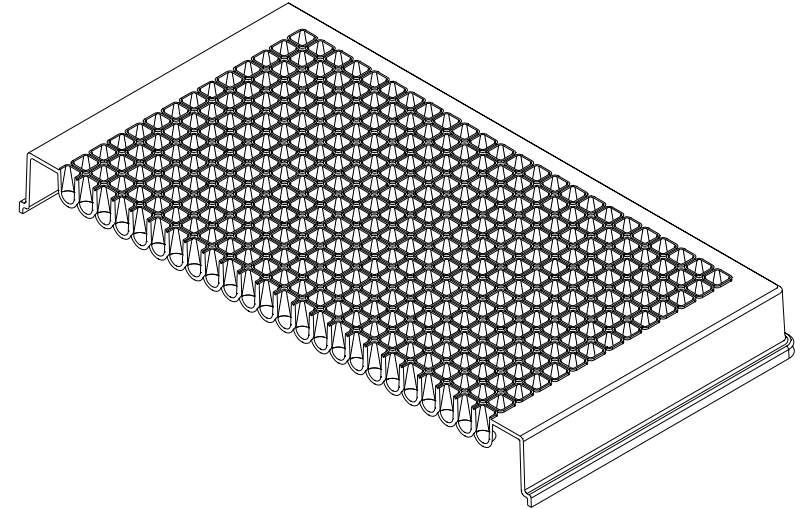
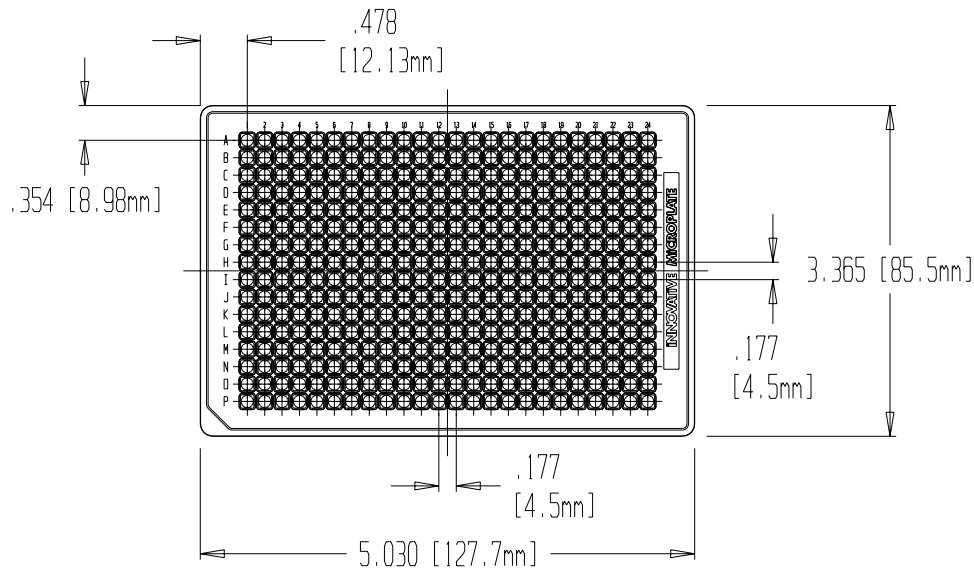


REV.	ECO NO.	DESCRIPTION
A	000183	RELEASE TO PRODUCTION.



NOTES:

1. MAX VOLUME OF WELL .058ml
2. WORKING VOLUME OF WELL .035ml

FOR REFERENCE ONLY

Seahorse Bioscience

SEAHORSE BIOSCIENCE, INC.

300 GRIFFITH ROAD
 CHICOPEE, MA 01022
 (413) 593-5300 PHONE
 (413) 593-5900 FAX

© 2002
 CONFIDENTIAL
 TRADE SECRETS
 PATENTS ISSUED
 AND PENDING
 DO NOT COPY
 OR DISCLOSE
 WITHOUT WRITTEN
 PERMISSION OF
 INNOVATIVE MICROPLATE

TOLERANCES UNLESS
 OTHERWISE SPECIFIED
 XX ± .03
 XXX ± .015
 XXXX ± .0005
 FRACTION: ± 1/64
 ANGULAR: ±0°15'
 RADIUS 0.015" UNLESS
 OTHERWISE SPECIFIED
 BREAK ALL SHARP EDGES

MATERIAL:
 NATURAL POLYPROPYLENE

CONCENTRATE:

PRT NAME:

384 WELL, STORAGE PLATE

CATALOG NO.:

S30033

DATE:
 9/16/03

DRAWN BY:
 S. MORLEY

APPR BY:
 S. YOUNG

PRT SIZE:
 A

SCALE:
 NTS

SHEET 1 OF 1

REV.
 A