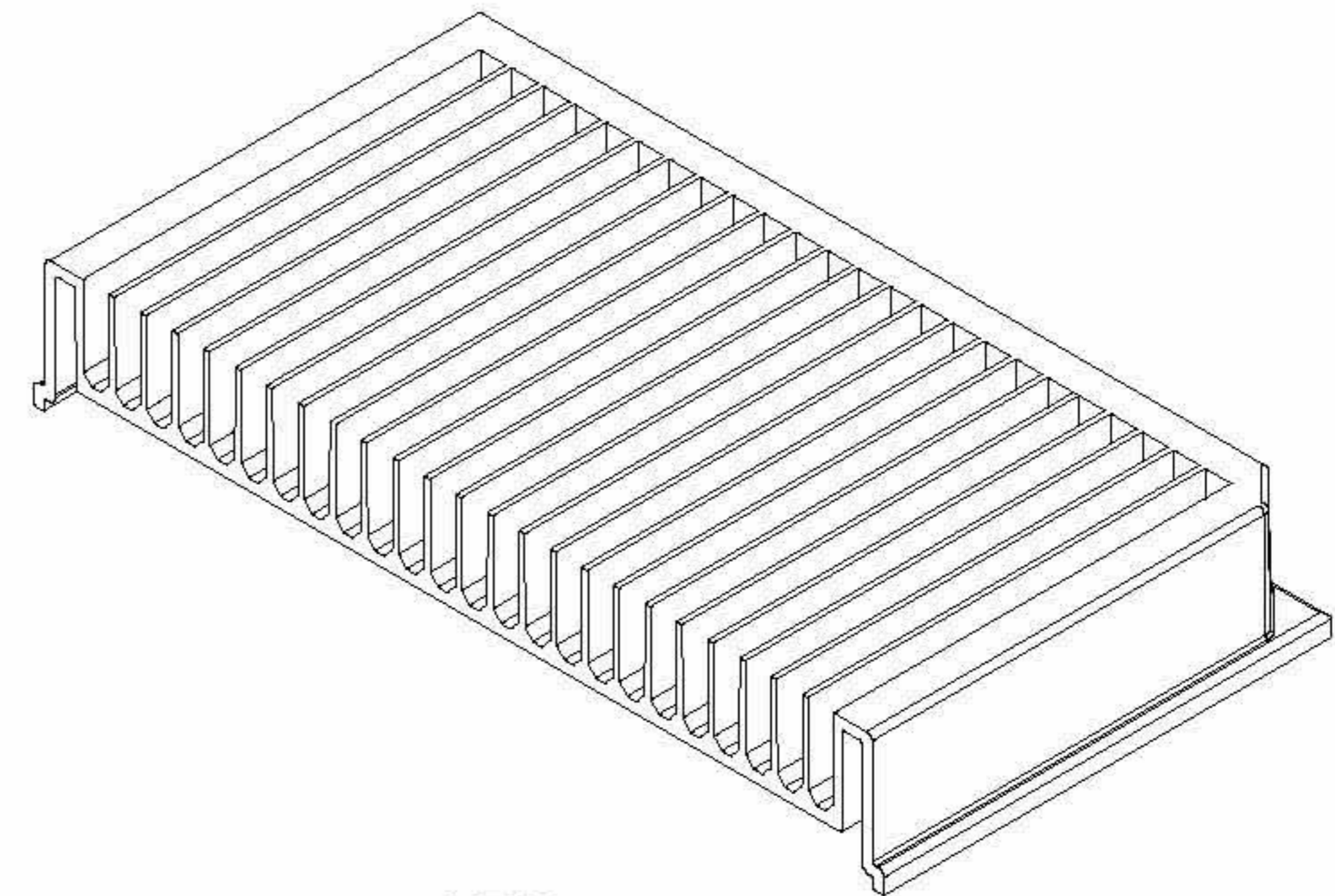
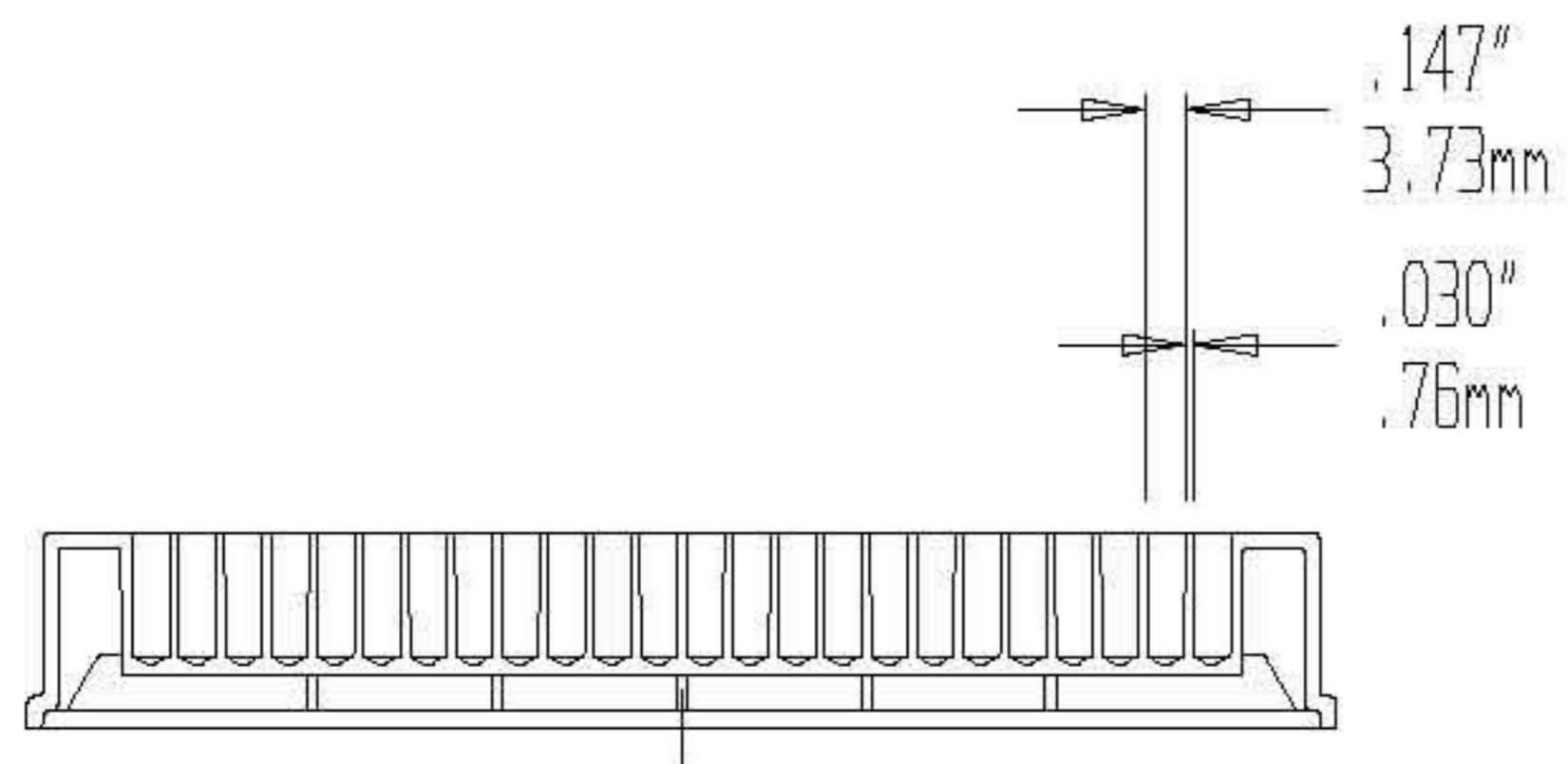
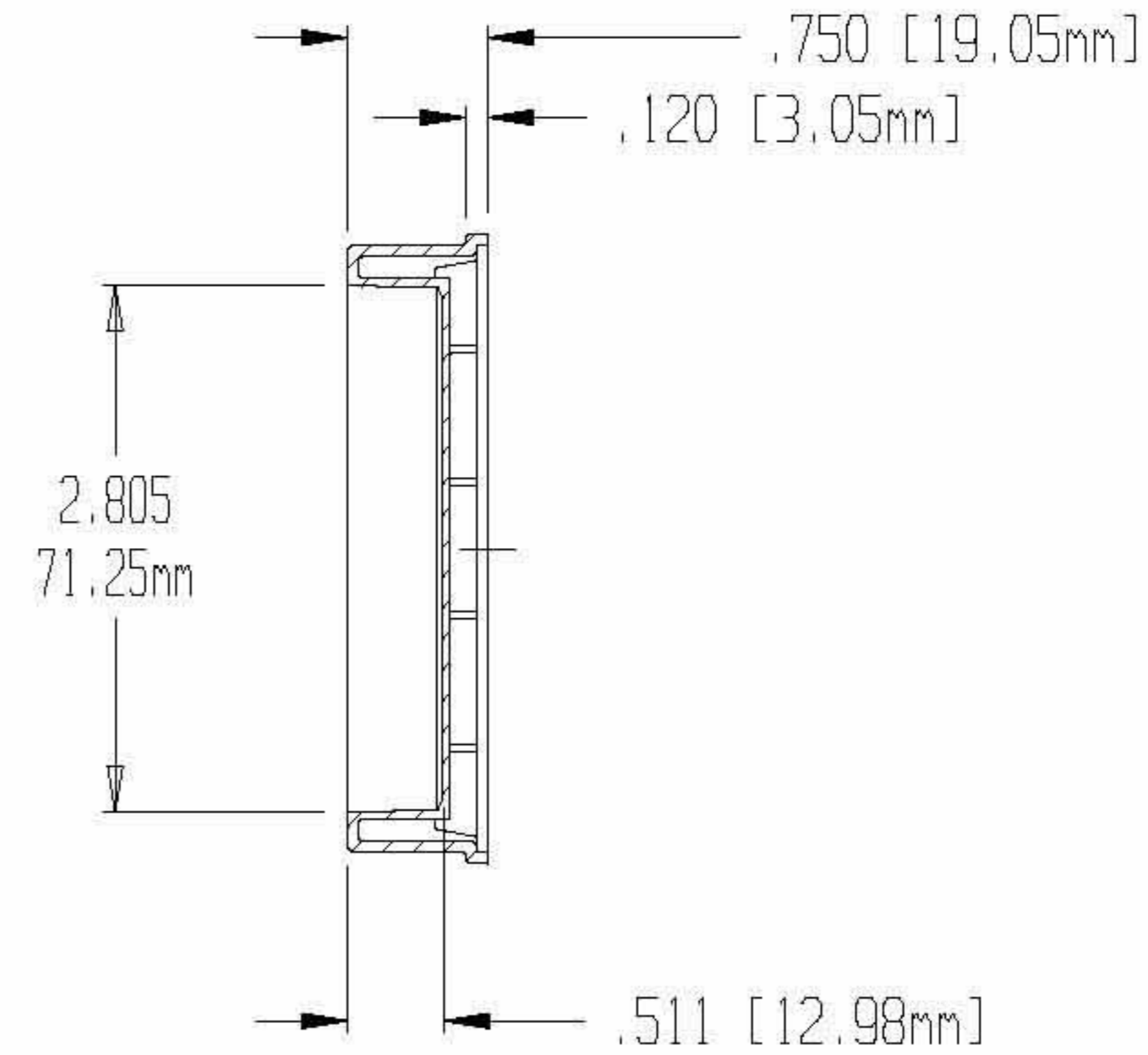
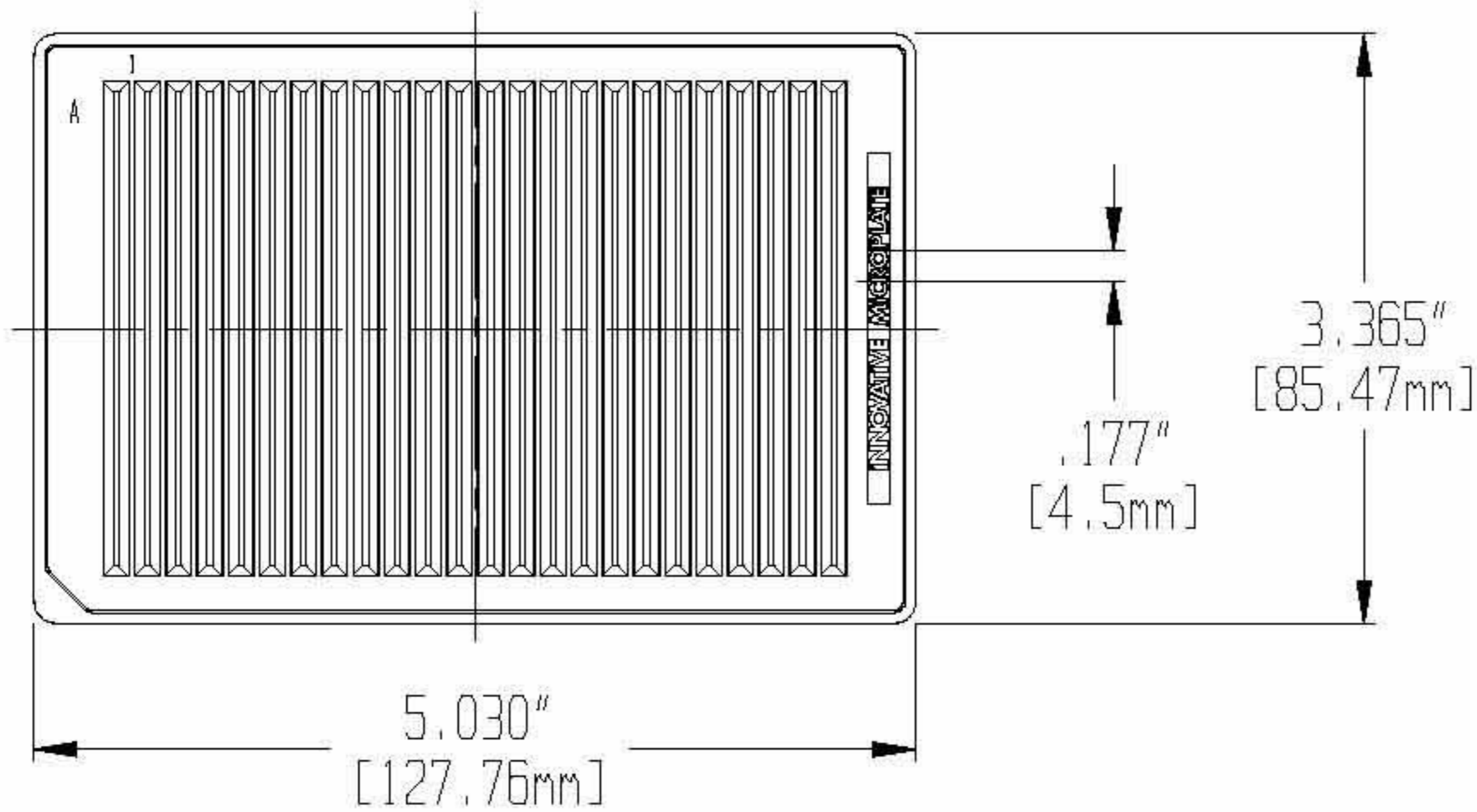


REV.	ECO NO.	DESCRIPTION
A	000267	RELEASE TO PRODUCTION.



NOTE:
1] MAX VOLUME OF ROW 3.25ml

Seahorse Bioscience

300 Griffith Road
Chicopee, MA 01022
Tel: (413) 593-5300
Fax: (413) 593-5900

© 2004
CONFIDENTIAL
TRADE SECRETS
PATENTS ISSUED
AND PENDING
DO NOT COPY
OR DISCLOSE
WITHOUT WRITTEN
PERMISSION OF
INNOVATIVE MICROPLATE

TOLERANCES UNLESS
OTHERWISE SPECIFIED
XX ± .03
XXX ± .015
XXXX ± .0005
FRACTION: ± 1/64
ANGULAR: ±0°15'
RADIUS 0.015" UNLESS
OTHERWISE SPECIFIED
BREAK ALL SHARP EDGES

MATERIAL: RESPPCP
NATURAL POLYPROPYLENE
CONCENTRATE:
DATE: 7/27/04
DRAWN BY: K. NORTH

PRT NAME: 24 PARTITION RESERVOIR, LOW PROFILE,
PYRAMID BOTTOM, NATURAL PP
PRT NO.: S30035
APPR BY: S. YOUNG
PRT SIZE: A
SCALE: NTS
SHEET 1 TO 1
REV. A