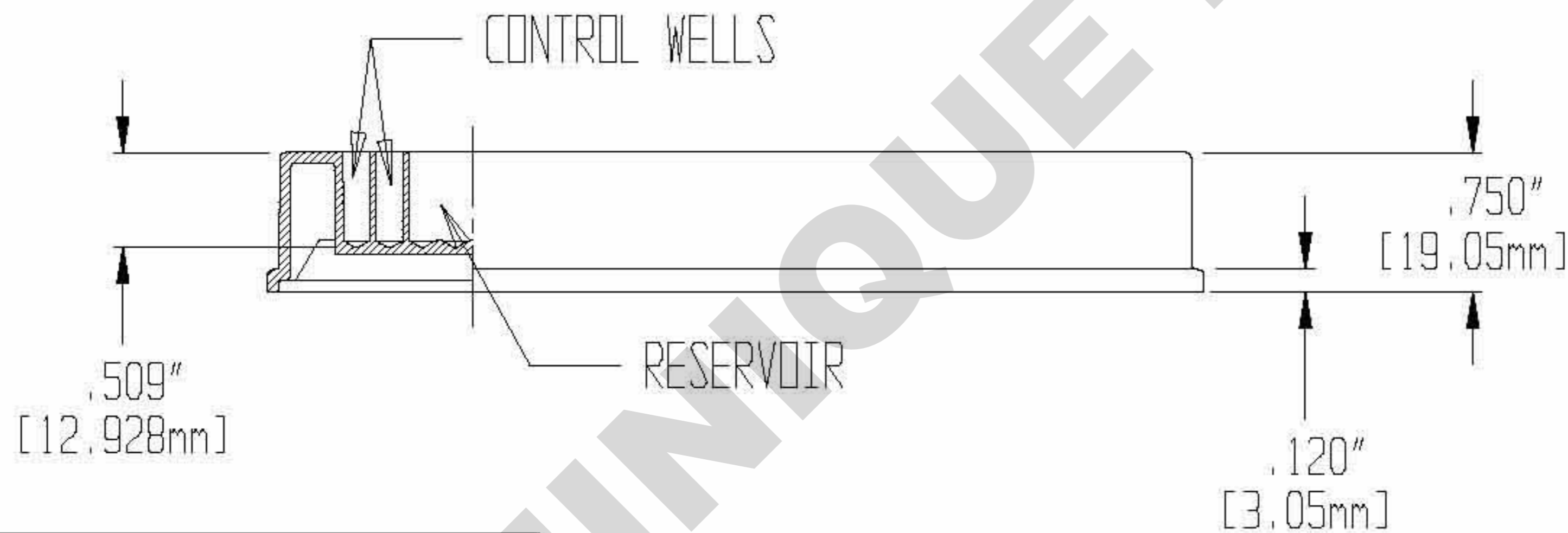
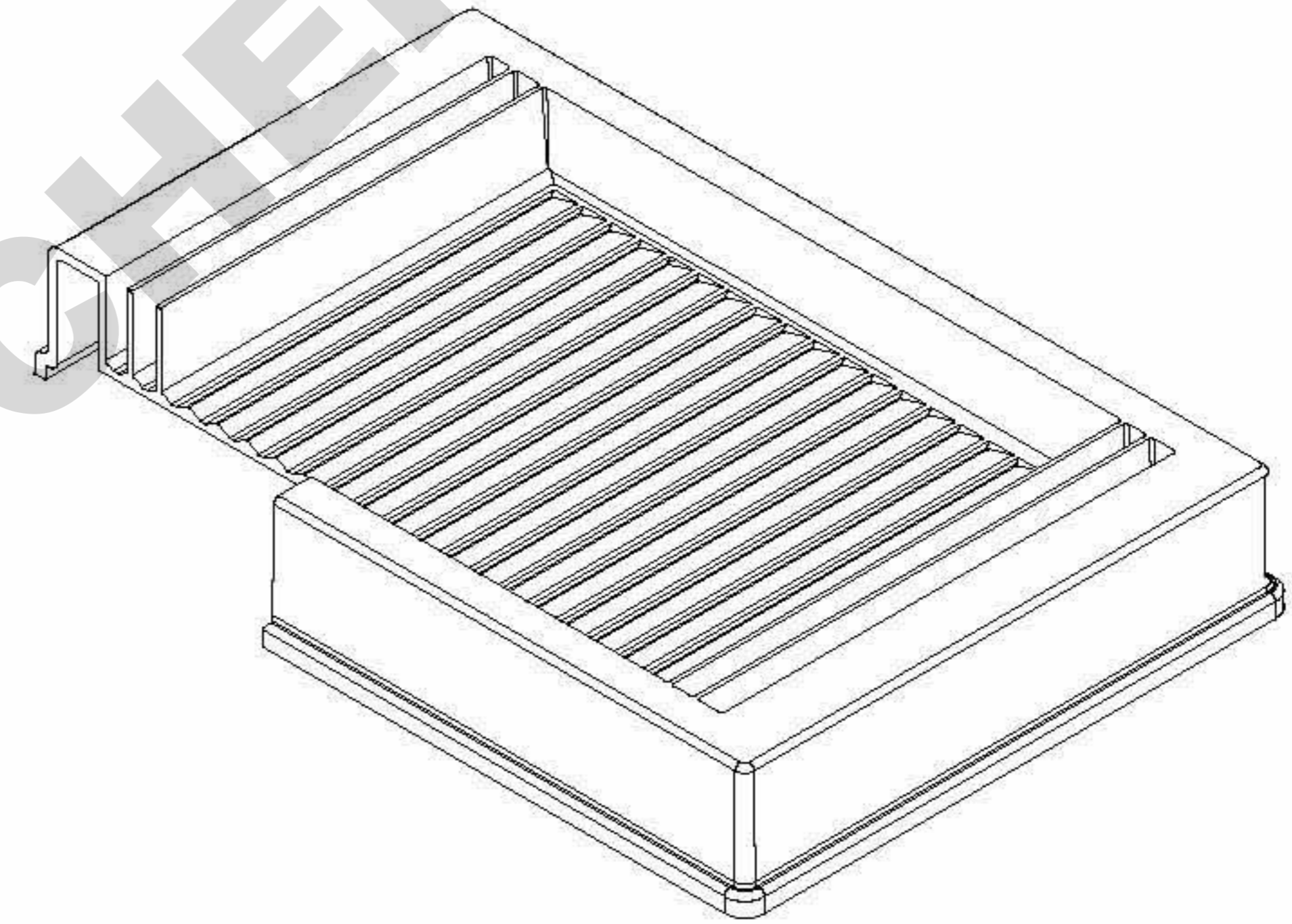
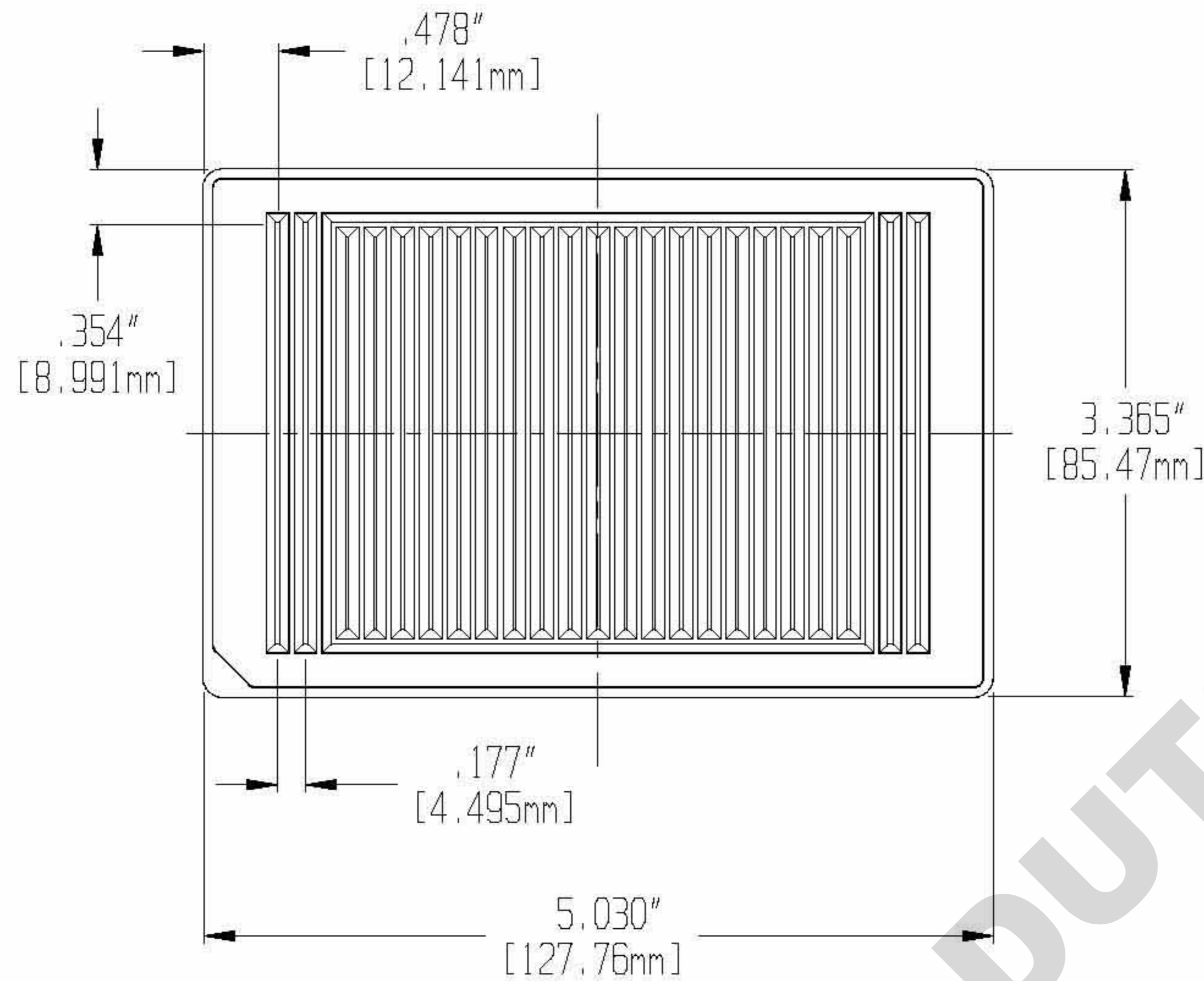


REV.	ECO NO.	DESCRIPTION
A	000085	RELEASE TO PRODUCT



- NOTES:
 1. MAX VOLUME OF RESERVOIR 79.3 ml
 2. MAX VOLUME OF CONTROL WELL 3.25 ml

FOR REFERENCE ONLY

Seahorse Bioscience

300 Griffith Road
 Chicopee, MA 01022
 Tel: (413) 593-5300
 Fax: (413) 593-5900

© 2002
 CONFIDENTIAL
 TRADE SECRETS
 PATENTS ISSUED
 AND PENDING
 DO NOT COPY
 OR DISCLOSE
 WITHOUT WRITTEN
 PERMISSION OF
 INNOVATIVE MICROPLATE

TOLERANCES UNLESS
 OTHERWISE SPECIFIED
 XX ± .03
 XXX ± .015
 XXXX ± .0005
 FRACTION: ± 1/64
 ANGULAR: ±0°15'
 RADIUS 0.015" UNLESS
 OTHERWISE SPECIFIED
 BREAK ALL SHARP EDGES

MATERIAL: RESPPCP
 NATURAL POLYPROPYLENE

CONCENTRATE:

DATE:
 08/29/02

DRAWN BY:
 S. MORLEY

PRT NAME: LOW PROFILE STORAGE PLATE WITH
 4 CONTROL WELLS / CENTER RESERVOIR

CATALOG NO.: S30027

APPR BY:
 S. YOUNG

PRT SIZE:
 A

SCALE:
 NTS

SHEET 1 OF 1

REV.
 A