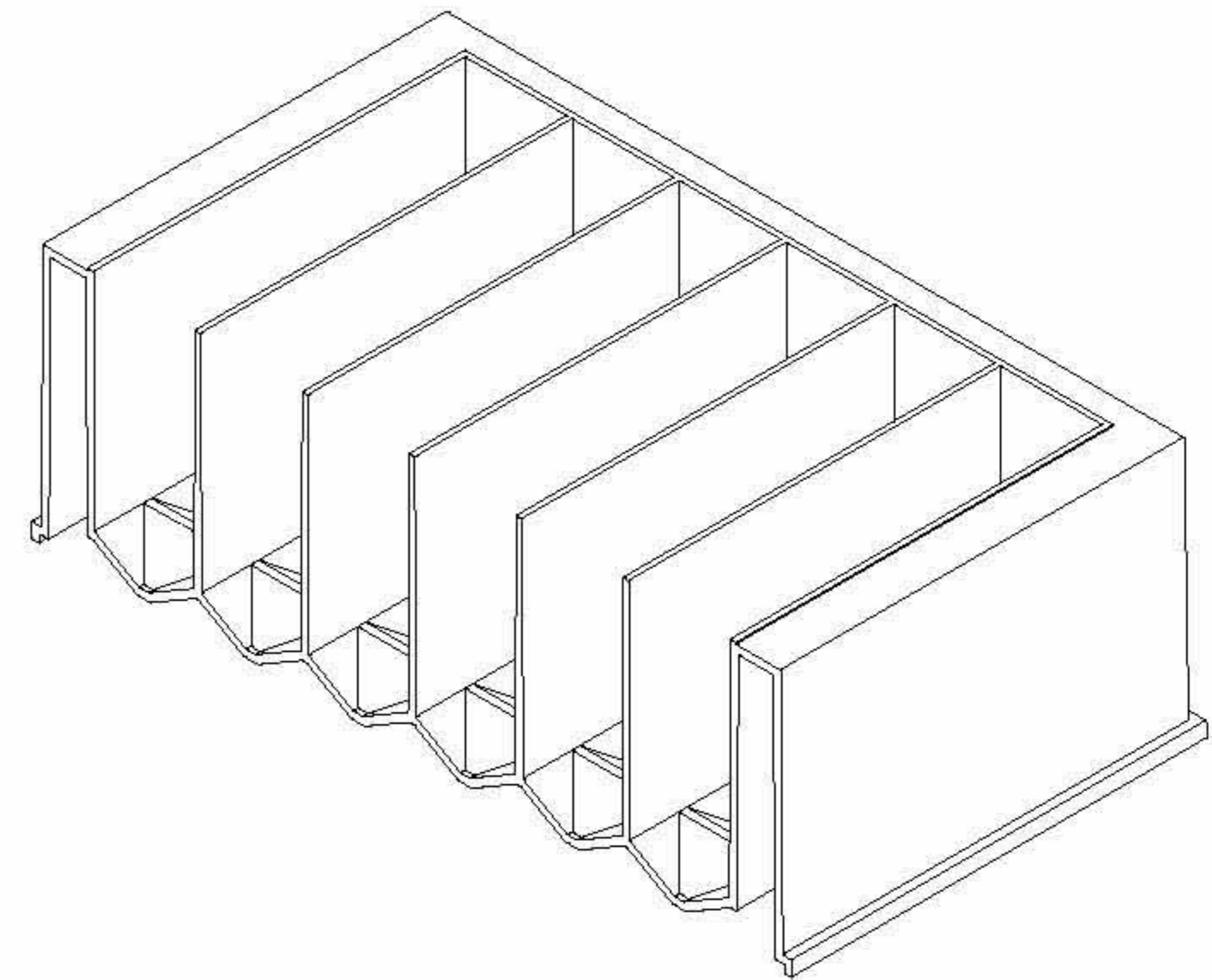
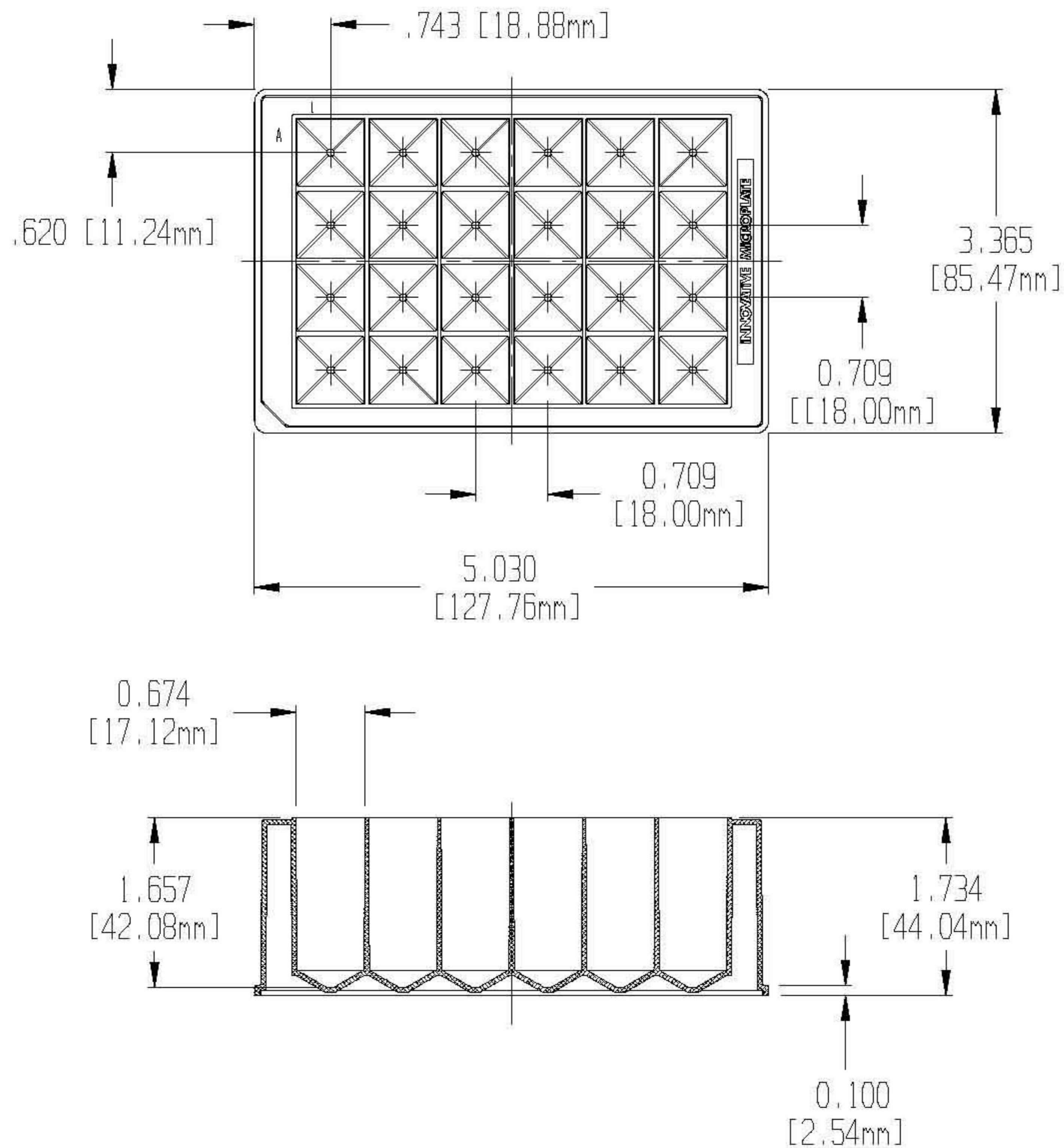


REV.	ECO NO.	DESCRIPTION
A	000167	RELEASE TO PRODUCTION.



NOTES:  
1. MAX VOLUME OF WELL 47ml

FOR REFERENCE ONLY

**Seahorse Bioscience**

300 Griffith Road  
Chicopee, MA 01022  
Tel: (413) 593-5300  
Fax: (413) 593-5900

© 2002  
CONFIDENTIAL  
TRADE SECRETS  
PATENTS ISSUED  
AND PENDING  
DO NOT COPY  
OR DISCLOSE  
WITHOUT WRITTEN  
PERMISSION OF  
INNOVATIVE MICROPLATE

TOLERANCES UNLESS  
OTHERWISE SPECIFIED  
XX ± .03  
XXX ± .015  
XXXX ± .0005  
FRACTION: ± 1/64  
ANGULAR: ±0°15'  
RADIUS 0.015" UNLESS  
OTHERWISE SPECIFIED  
BREAK ALL SHARP EDGES

**MATERIAL:**  
NATURAL POLYPROPYLENE

**CONCENTRATE:**

**DATE:**  
9/5/03

**DRAWN BY:**  
S.MORLEY

**PRT NAME:**

6 COLUMN, PARTITION RESERVOIR, PYRAMID BOTTOM

**CATALOG NO.:**

S30030

**APPR BY:**  
S.YOUNG

**PRT SIZE:**  
A

**SCALE:**  
NTS

**SHEET** 1 OF 1

**REV.**  
A