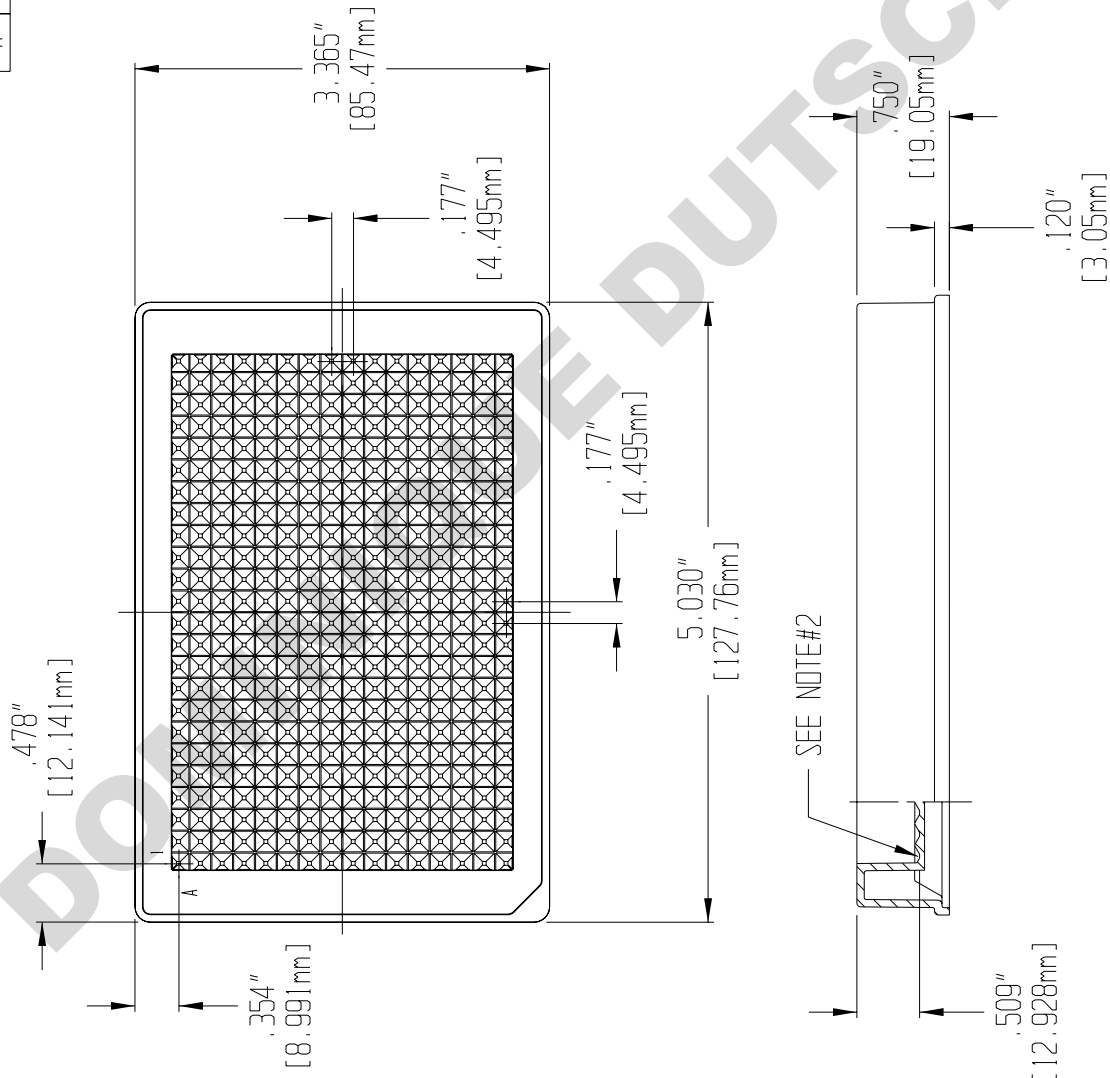


REV.	ECO NO.	DESCRIPTION
A	000023	RELEASE TO PRODUCTION.



NOTES:
 1. MAX VOLUME OF RESERVOIR 92 ml
 2. MAX VOLUME OF WELL 0.007 ml

FOR REFERENCE ONLY

INNOVATIVE
 CUSTOM MICROPLATE
 MICROPLATES
 1998 WESTOVER RD.
 CHICOPEE, MA 01022
 TEL. (413) 593-5300
 FAX (413) 593-5900

© 2001
 CONFIDENTIAL
 TRADE SECRETS
 PATENTS ISSUED
 AND PENDING
 DO NOT COPY
 OR DISCLOSE
 WITHOUT WRITTEN
 PERMISSION OF
 INNOVATIVE MICROPLATE

TOLERANCES UNLESS
 OTHERWISE SPECIFIED
 XX ± .03
 XXX ± .015
 XXXX ± .0005
 FRACTION: ± 1/64
 ANGULAR: ± 0°15'
 RADIUS 0.015" UNLESS
 OTHERWISE SPECIFIED
 BREAK ALL SHARP EDGES

MATERIAL: RESPPCP
 NATURAL POLYPROPYLENE
CONCENTRATE:

DATE: 02/12/02
DRAWN BY: YELENA SUKONIK

PRT NAME:
 384 WELL, RESERVOIR, LOW PROFILE, PYRAMID BOTTOM, NATURAL PP

CATALOG NO.: S30022

APPR BY: A
PRT SIZE: A
SCALE: NTS
SHEET 1 OF 1
REV. A