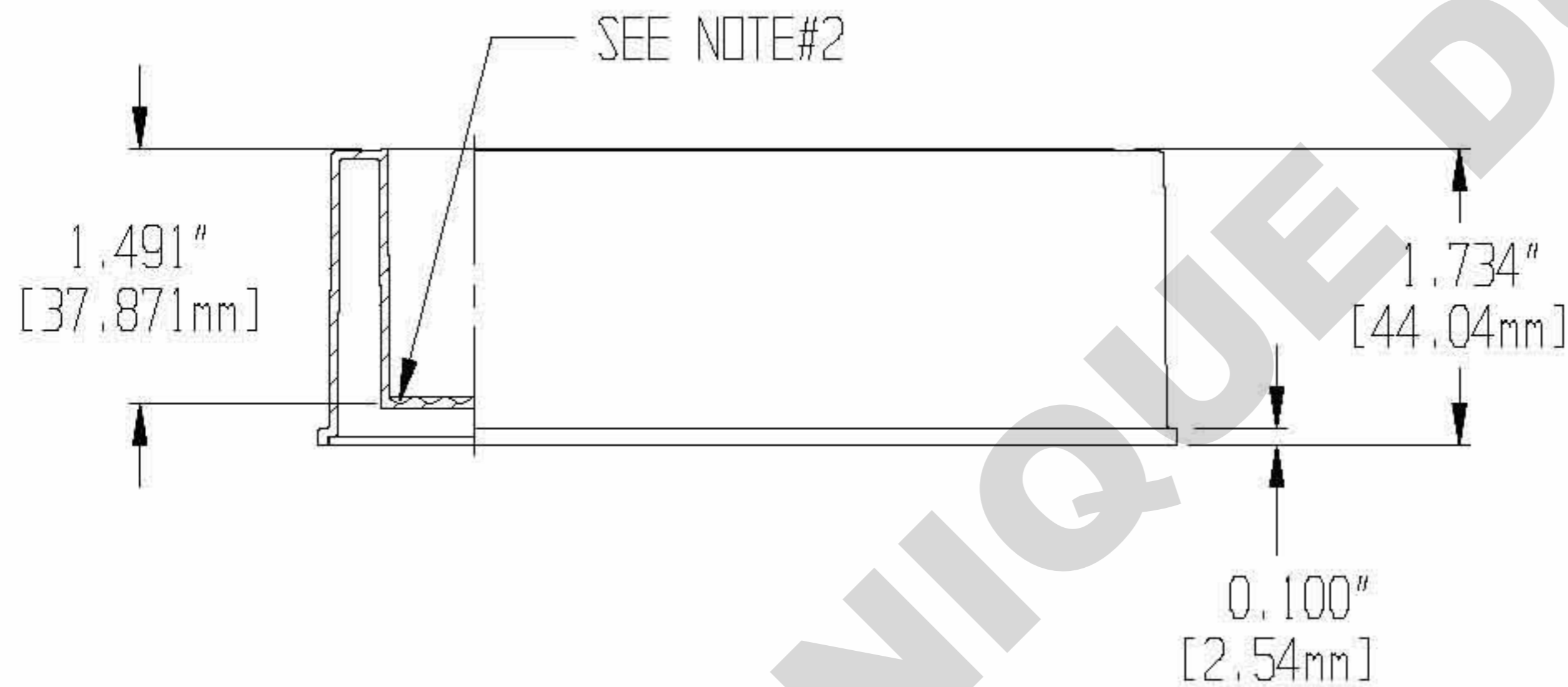
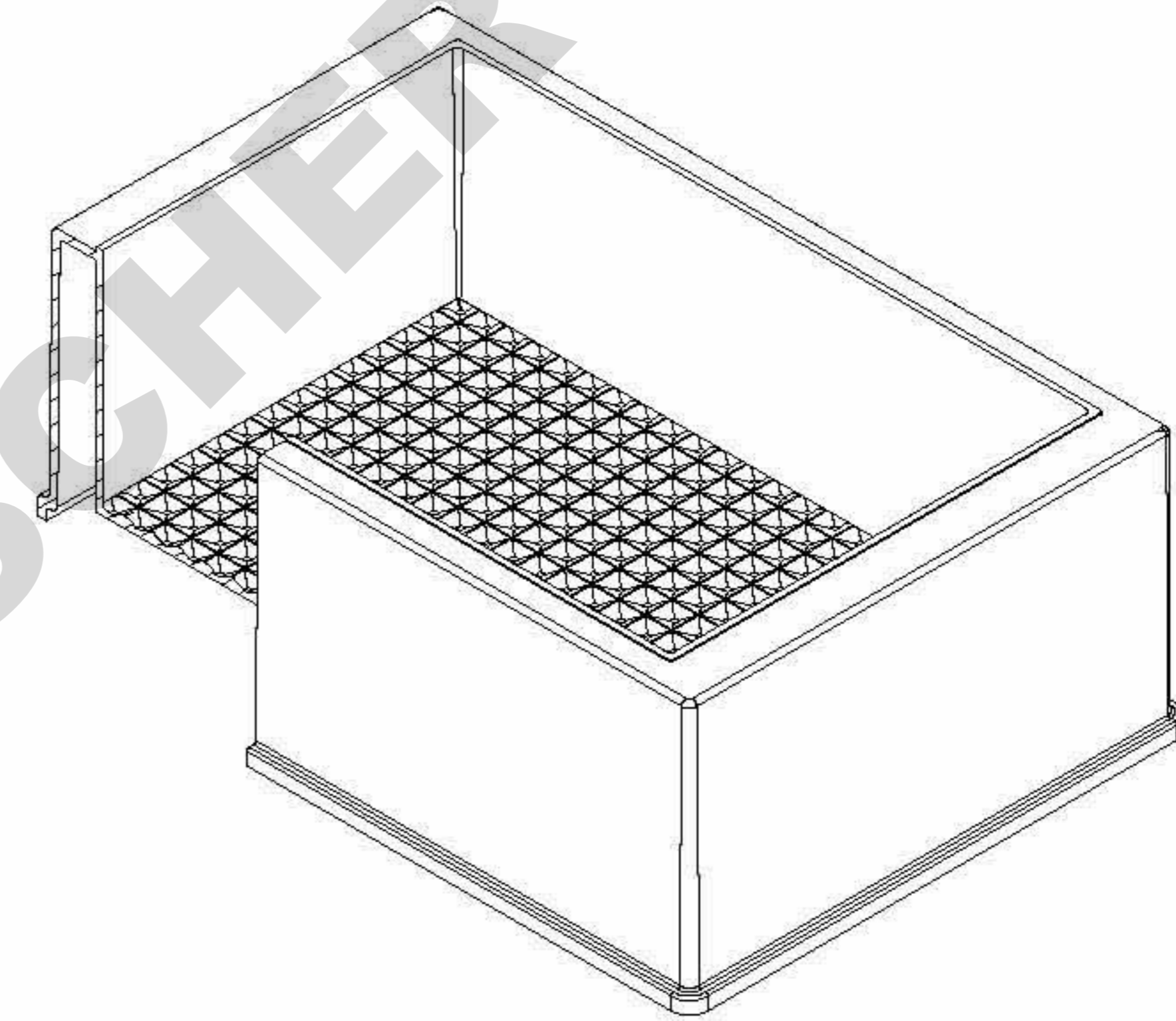
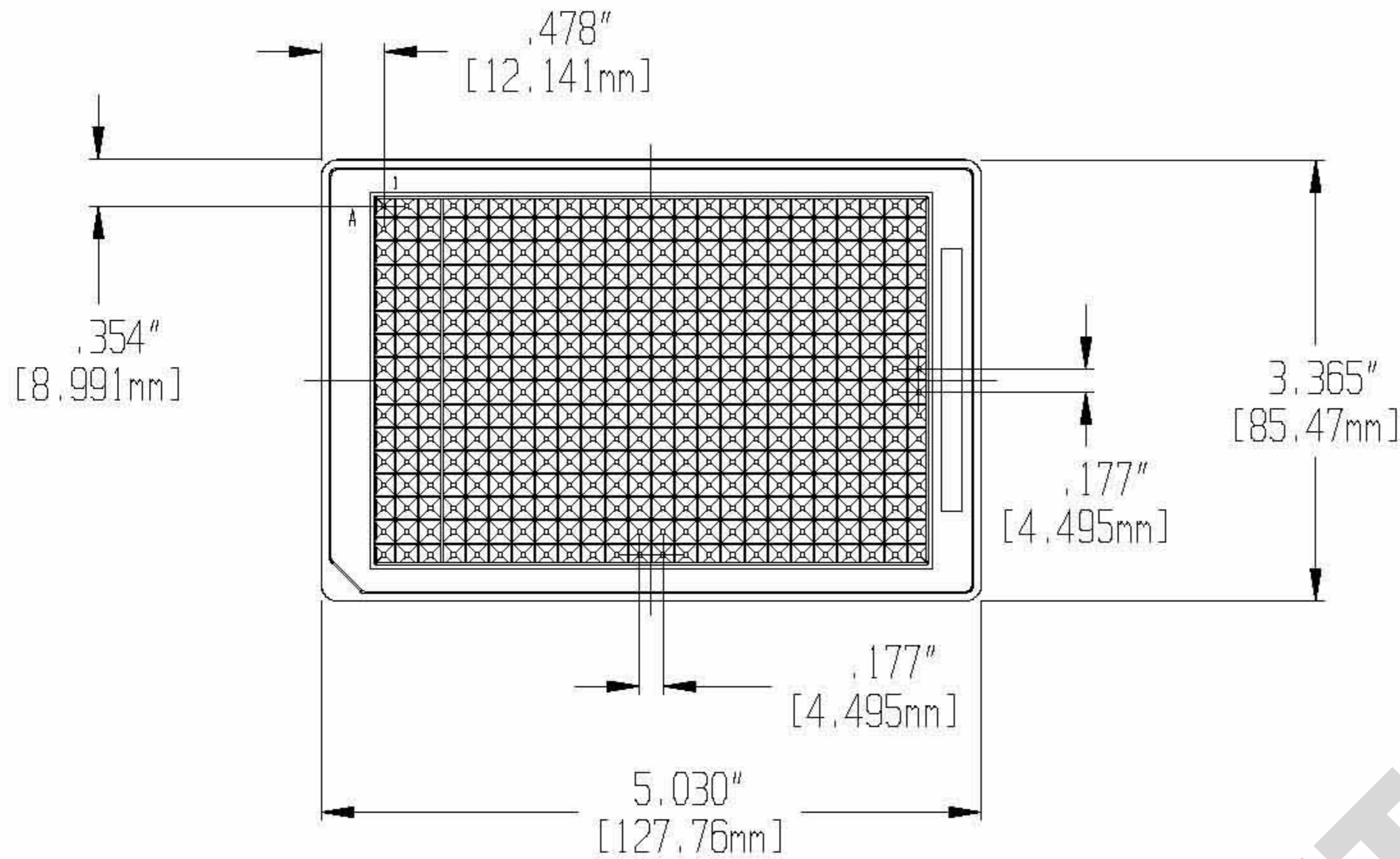


REV.	ECO NO.	DESCRIPTION
A	000023	RELEASE TO PRODUCTION.



- NOTES:
 1. MAX VOLUME OF RESERVOIR 282 ml
 2. MAX VOLUME OF WELL 0.007 ml

FOR REFERENCE ONLY

Seahorse Bioscience

300 Griffith Road
 Chicopee, MA 01022
 Tel: (413) 593-5300
 Fax: (413) 593-5900

© 2001
 CONFIDENTIAL
 TRADE SECRETS
 PATENTS ISSUED
 AND PENDING
 DO NOT COPY
 OR DISCLOSE
 WITHOUT WRITTEN
 PERMISSION OF
 INNOVATIVE MICROPLATE

TOLERANCES UNLESS
 OTHERWISE SPECIFIED
 XX ± .03
 XXX ± .015
 XXXX ± .0005
 FRACTION: ± 1/64
 ANGULAR: ±0°15'
 RADIUS 0.015" UNLESS
 OTHERWISE SPECIFIED
 BREAK ALL SHARP EDGES

MATERIAL: RESPPCP
 NATURAL POLYPROPYLENE

CONCENTRATE:

DATE: 02/12/02
DRAWN BY: YELENA SLIKONIK

PRT NAME:

384 WELL, RESERVOIR, PYRAMID BOTTOM, NATURAL PP

CATALOG NO.:

S30021

APPR BY:

PRT SIZE:
A

SCALE:
NTS

SHEET 1 OF 1

REV.
A