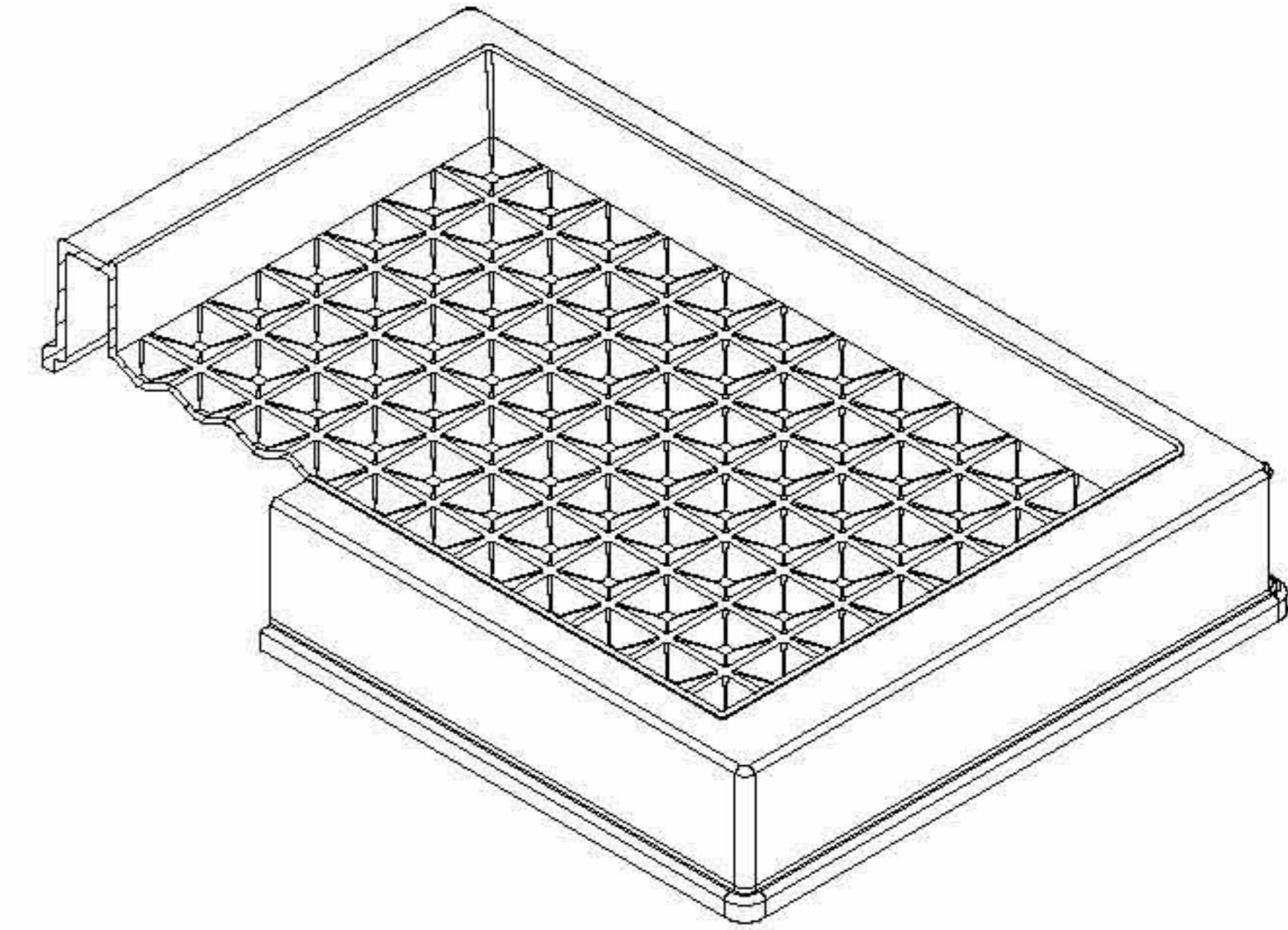
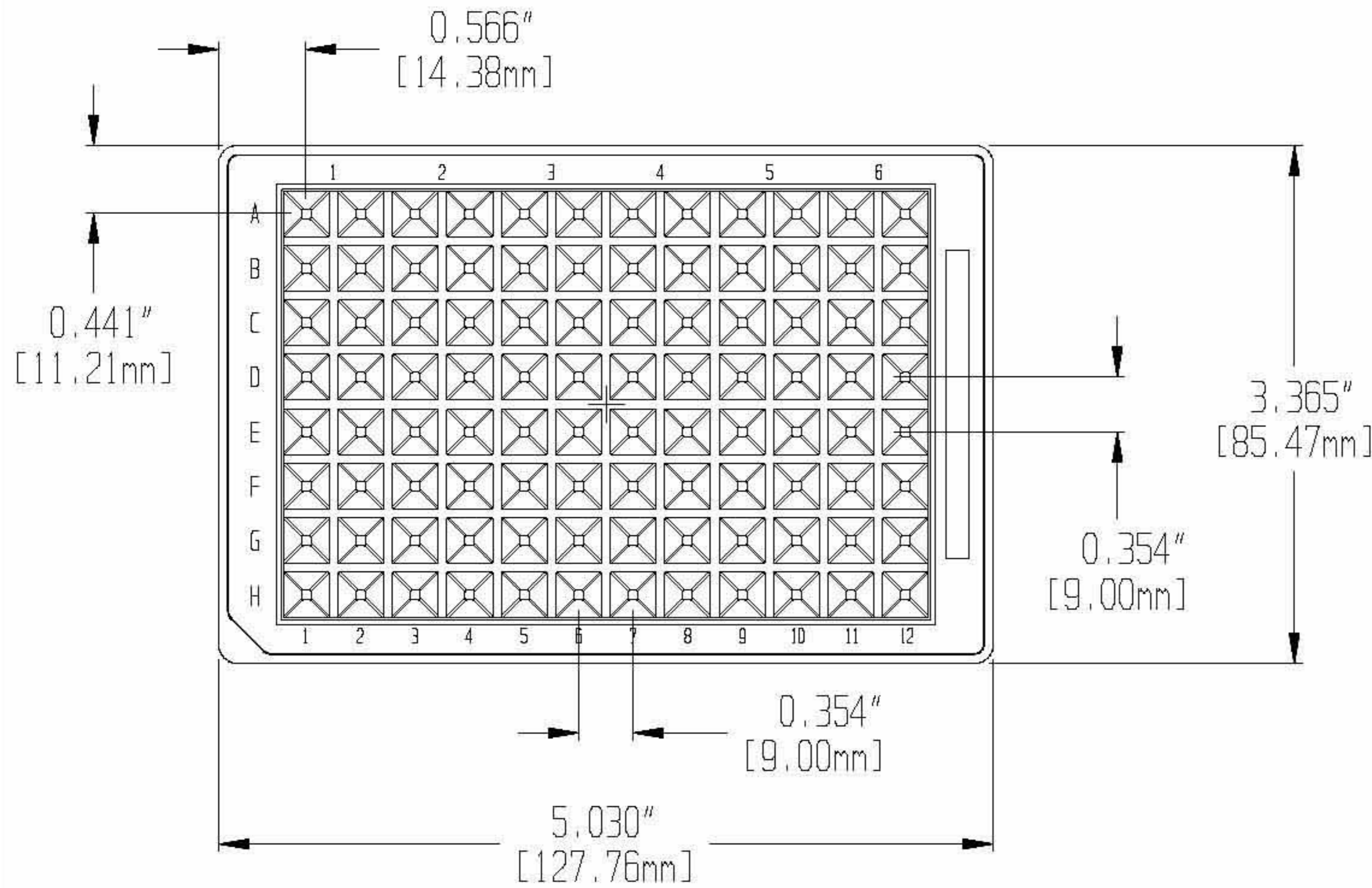


| REV. | ECO NO. | DESCRIPTION            |
|------|---------|------------------------|
| A    | 000022  | RELEASE TO PRODUCTION. |



- NOTES:  
 1. MAX VOLUME OF RESERVOIR 86 ml  
 2. MAX VOLUME OF WELL 0.064 ml

FOR REFERENCE ONLY

**Seahorse Bioscience**

300 Griffith Road  
 Chicopee, MA 01022  
 Tel: (413) 593-5300  
 Fax: (413) 593-5900

© 2001  
 CONFIDENTIAL  
 TRADE SECRETS  
 PATENTS ISSUED  
 AND PENDING  
 DO NOT COPY  
 OR DISCLOSE  
 WITHOUT WRITTEN  
 PERMISSION OF  
 INNOVATIVE MICROPLATE

TOLERANCES UNLESS  
 OTHERWISE SPECIFIED  
 XX ± .03  
 XXX ± .015  
 XXXX ± .0005  
 FRACTION: ± 1/64  
 ANGULAR: ±0°15'  
 RADIUS 0.015" UNLESS  
 OTHERWISE SPECIFIED  
 BREAK ALL SHARP EDGES

**MATERIAL:** RESPPCP  
 NATURAL POLYPROPYLENE  
**CONCENTRATE:**  
**DATE:** 01/22/02  
**DRAWN BY:** YELENA SLIKONIK

**PRT NAME:**  
 96 WELL, RESERVOIR, LOW PROFILE, PYRAMID BOTTOM, NATURAL PP  
**CATALOG NO.:** S30018  
**APPR BY:**  
**PRT SIZE:** A  
**SCALE:** NTS  
**SHEET** 1 OF 1  
**REV.** A