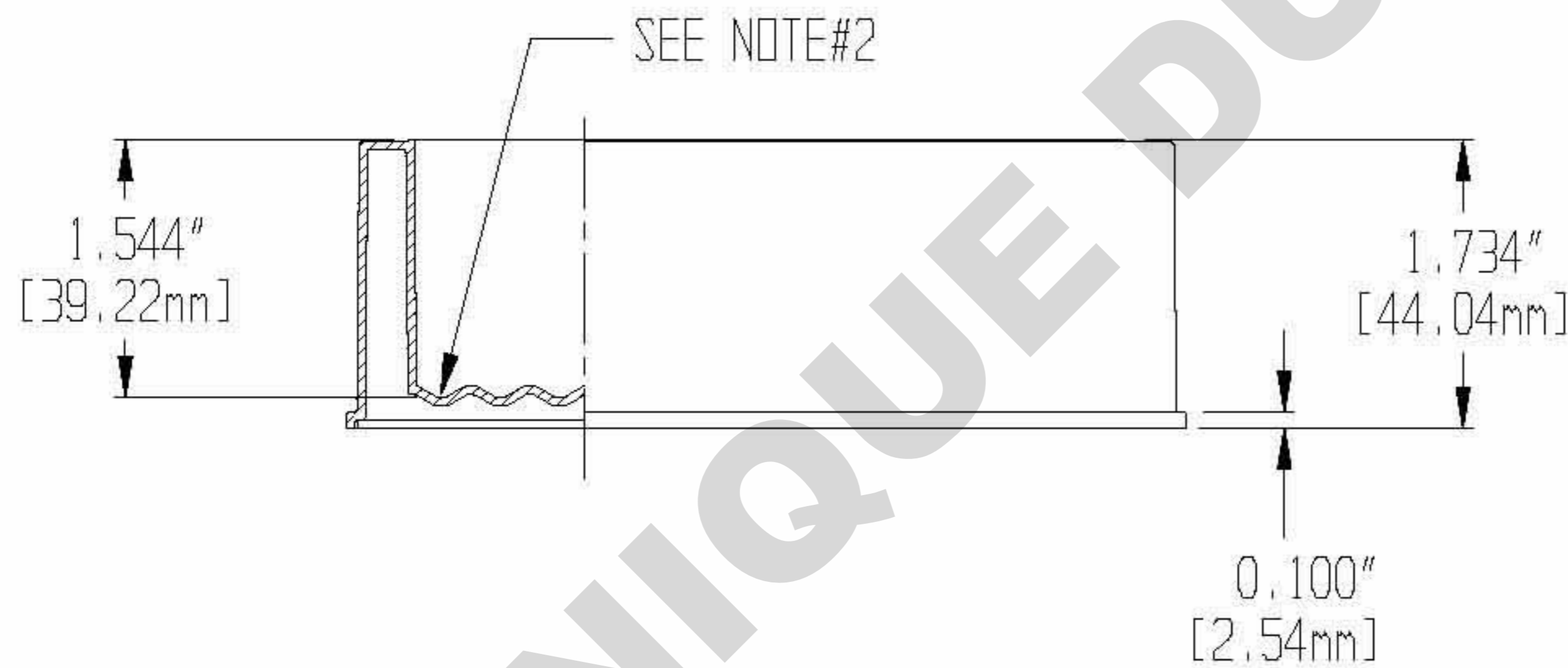
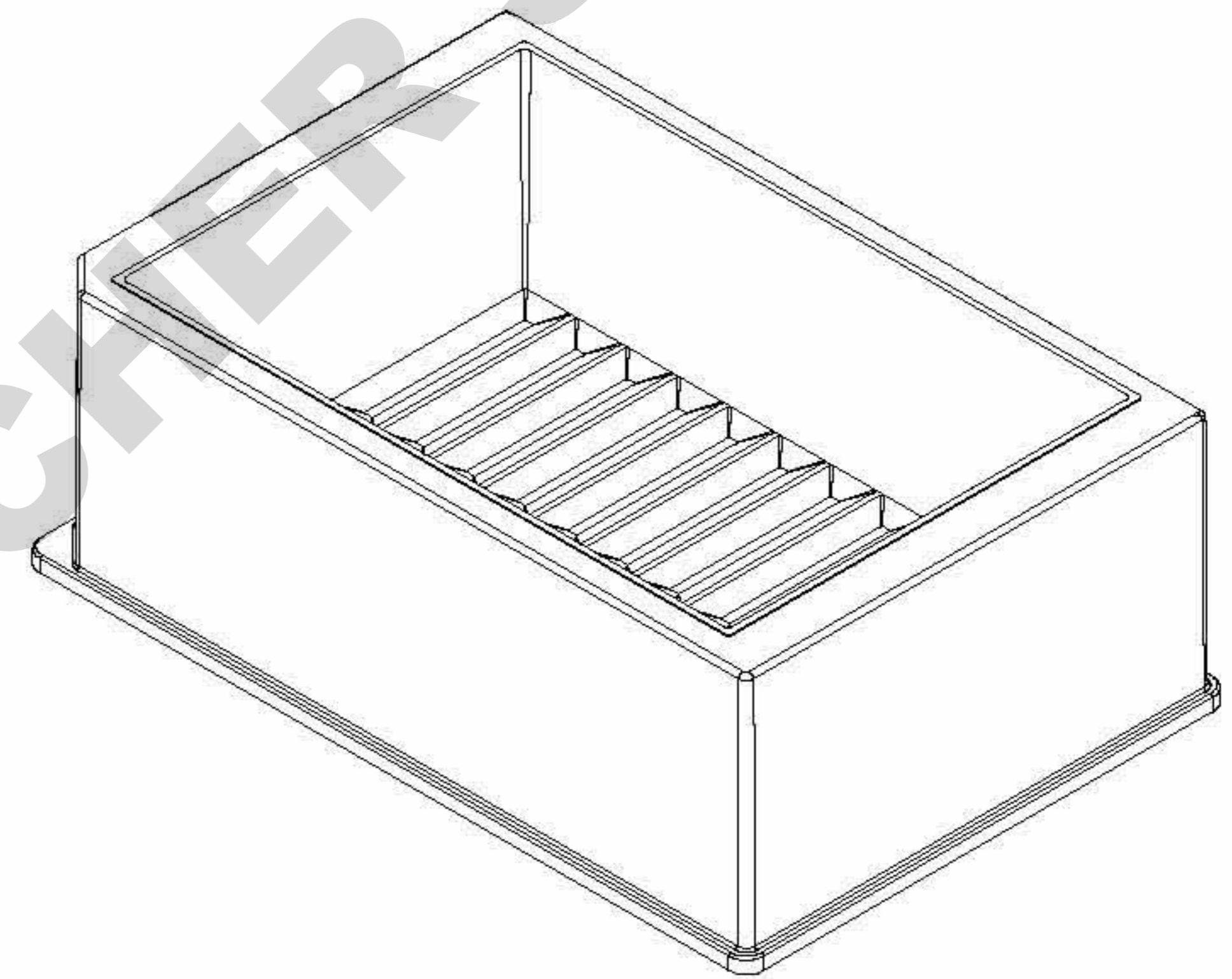
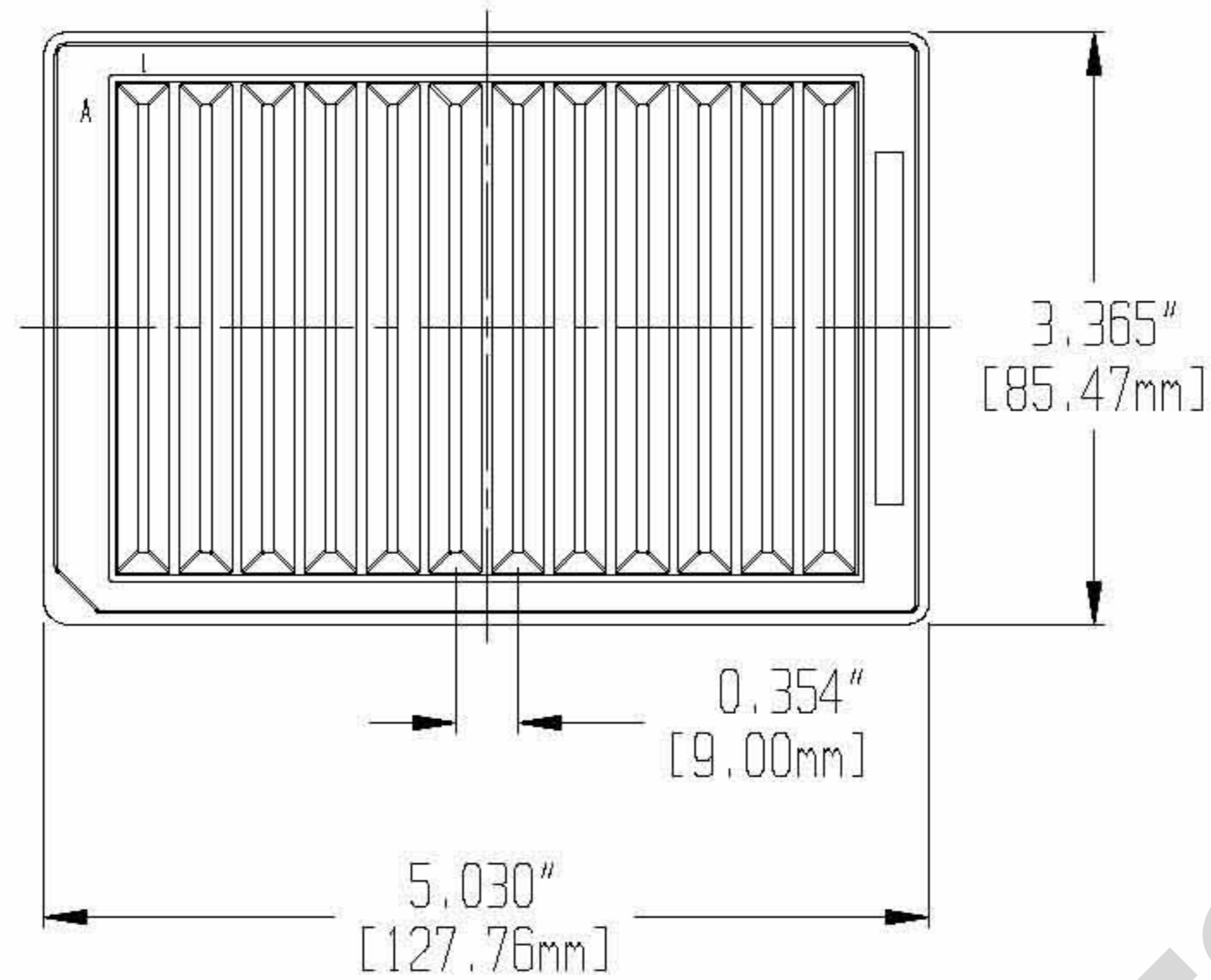


REV.	ECO NO.	DESCRIPTION
A	000020	RELEASE TO PRODUCTION.



- NOTES:
 1. MAX VOLUME OF RESERVOIR 290 ml
 2. MAX VOLUME OF COLUMN 0.540 ml

Seahorse Bioscience

300 Griffith Road
 Chicopee, MA 01022
 Tel: (413) 593-5300
 Fax: (413) 593-5900

© 2001
 CONFIDENTIAL
 TRADE SECRETS
 PATENTS ISSUED
 AND PENDING
 DO NOT COPY
 OR DISCLOSE
 WITHOUT WRITTEN
 PERMISSION OF
 INNOVATIVE MICROPLATE

TOLERANCES UNLESS
 OTHERWISE SPECIFIED
 XX ± .03
 XXX ± .015
 XXXX ± .0005
 FRACTION: ± 1/64
 ANGULAR: ±0°15'
 RADIUS 0.015" UNLESS
 OTHERWISE SPECIFIED
 BREAK ALL SHARP EDGES

MATERIAL: RESPPCP
 NATURAL POLYPROPYLENE
CONCENTRATE:
DATE: 12/14/01
DRAWN BY: YELENA SLUKONIK

PRT NAME:
 12 COLUMNS, RESERVOIR, PYRAMID BOTTOM, NATURAL PP
PRT NO.: S30016
APPR BY:
PRT SIZE: A
SCALE: NTS
SHEET 1 OF 1
REV. A