

**User Guide**

# EZ-Fit® Filtration Unit



The life science business of Merck operates as MilliporeSigma in the US and Canada.

The information in this document is subject to change without notice and should not be construed as a commitment by Merck. Merck assumes no responsibility for any errors that may appear in this document. This manual is believed to be complete and accurate at the time of publication. In no event shall Merck be liable for incidental or consequential damages in connection with, or arising from, the use of this manual.

## Introduction

The EZ-Fit® Filtration Unit is a disposable filtration device for bioburden testing of liquid samples like water, process samples, or final products. It is designed for optimizing and securing the laboratory workflow to provide time-saving and reliable microbiological results. After the filtration of the sample, the membrane can be transferred and cultured on an agar plate. Alternately, on the blue unit only, liquid media can be added after the filtration, and the device converts into a Petri dish.

This disposable device is designed to fit onto the EZ-Fit® Manifold, which features specific EZ-Fit® Filtration heads. It can also fit onto a standard #8 stopper.

The EZ-Fit® filtration device consists of:



# Specifications

Materials of construction	Cover	Polystyrene
	Funnel	Styrene butadiene copolymer
	Membrane	Mixed cellulose esters, PVDF
	Support pad (blue unit versions only)	Cellulose
	Base	Acrylonitrile butadiene styrene
	Plug (blue unit in bulk packaging & selected versions only)	Low-density polyethylene
Dimensions	Height	100 mL: 66.5 mm (2.6 in.) 250 mL: 108.5 mm (4.3 in.)
	Largest diameter	75.8 mm (3.0 in.)
	Filtration surface	12.56 cm <sup>2</sup>
Sterilization method	Electron beam	
Storage conditions	Store in a cool and dry place	
Maximum temperature of the sample	45 °C	

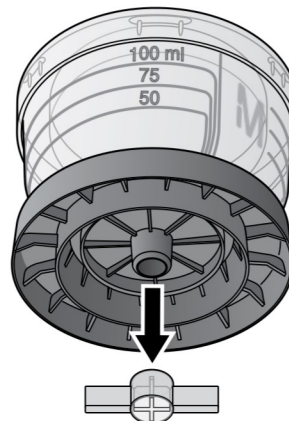
## Filtration

1. Remove the device from the packaging by grasping the funnel.
2. Remove the plug from the bottom of the base (blue unit bulk packaging & selected versions only).



**CAUTION:** Grasping the cover could result in removing the cover from the funnel.

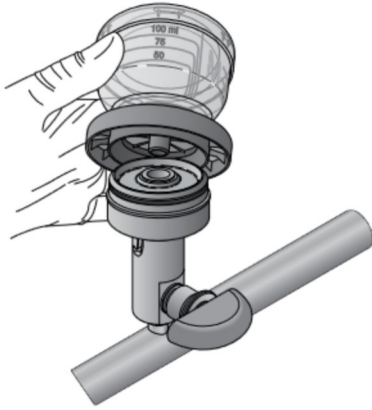
**NOTE:** The devices can be stacked.



**NOTE:** When culturing using ampoule liquid media, do not discard the plug as it will be used during incubation step.

## Culturing

3. Place the device onto the filtration head of the EZ-Fit® Manifold.



### Solid Culture Media

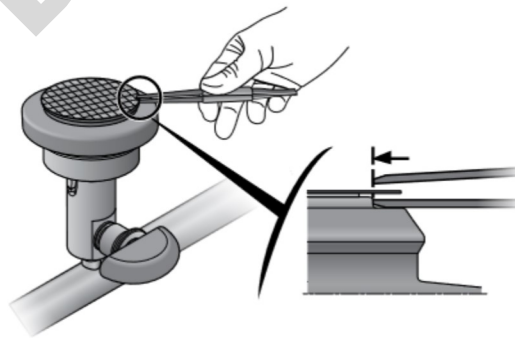
1. Remove the cover from the funnel.
2. Slightly pinch the funnel and remove it as shown here:



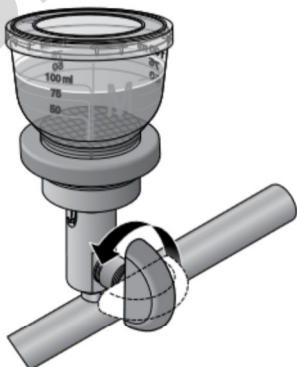
4. Remove the cover and pour the sample into the funnel.



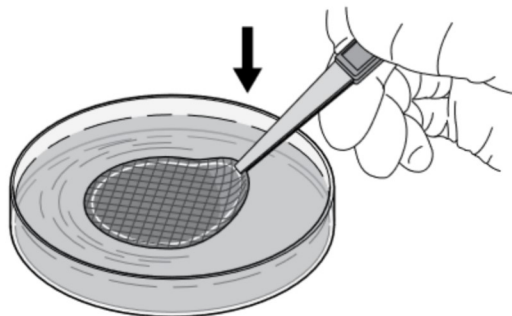
3. Turn the knob to the horizontal position to close the vacuum.
4. Remove the membrane using forceps.



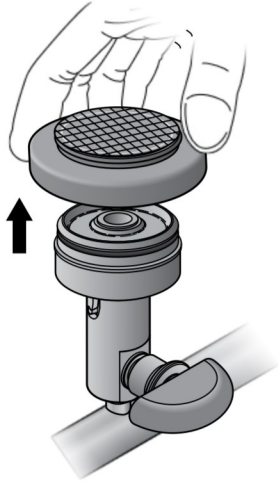
5. Replace the cover.
6. Turn the knob to the upright position to apply vacuum to perform filtration.



5. Place the membrane into a solid medium.

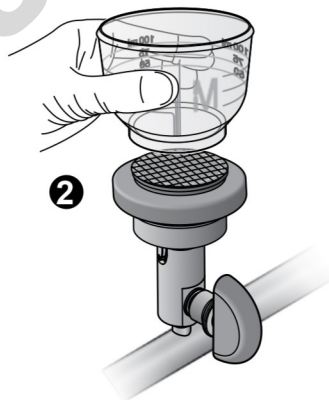


6. Remove the base from the filtration head as shown here:



3. Quickly perform the following operations:

- ❶ Turn the knob to the vertical position.
- ❷ Slightly pinch the funnel and remove it.
- ❸ Place the cover onto the base.
- ❹ Return the knob to the horizontal position to stop the vacuum.



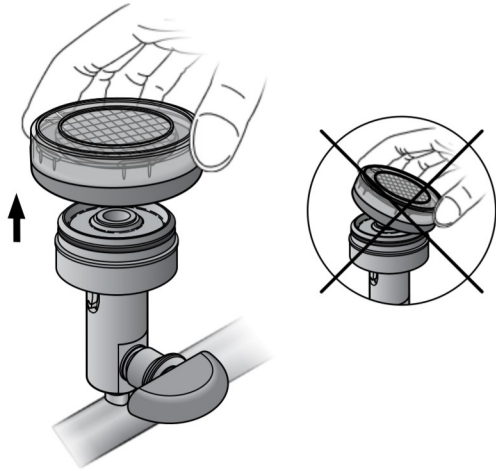
### Ampoule Liquid Media

(blue units bulk packaging versions only)

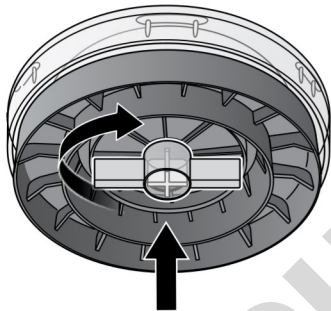
1. Turn the knob to the horizontal position to stop the vacuum.
2. Remove the cover and pour the liquid medium evenly onto the membrane.



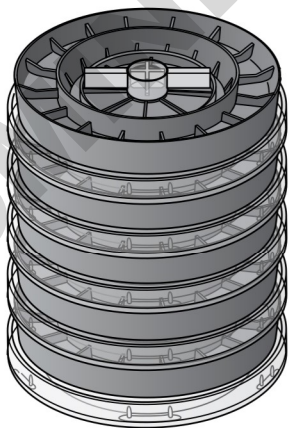
4. Remove the base from the filtration head as shown here:



5. Replace the plug and twist it onto the support.



**NOTE: The devices can be stacked in the incubator.**





## Discarding the product

Refer to the materials of construction of the device for proper disposal/recycling of each component.

**NOTE: The funnels can be stacked to reduce waste volume.**

## Ordering Information

Description	Packaging/Format	Qty per pack	Catalogue Number	
PINK base—no pad	EZ-Fit® Filtration Unit, white plain PVDF membrane, 0.45 µm, 100 mL	Single	EFHVV10IS	
	EZ-Fit® Filtration Unit, white gridded MCE membrane, 0.45 µm, 100 mL	Single	EFHAW10IS	
	EZ-Fit® Filtration Unit, white gridded MCE membrane, 0.45 µm, 100 mL	Multipack of 3 units	EFHAW10MS	
	EZ-Fit® Filtration Unit, white gridded MCE membrane, 0.45 µm, 100 mL	Bulk with protective bag	EFHAW10BS	
	EZ-Fit® Filtration Unit, white gridded MCE membrane, 0.45 µm, 250 mL	Bulk with protective bag	EFHAW25BS	
	EZ-Fit® Filtration Unit, black gridded MCE membrane, 0.45 µm, 100 mL	Multipack of 3 units	EFHAB10MS	
	EZ-Fit® Filtration Unit, black gridded MCE membrane, 0.45 µm, 100 mL	Bulk with protective bag	EFHAB10BS	
	EZ-Fit® Filtration Unit, black gridded MCE membrane, 0.45 µm, 250 mL	Bulk with protective bag	EFHAB25BS	
	EZ-Fit® Filtration Unit, white gridded MCE membrane, 0.22 µm, 100 mL	Multipack of 3 units	EFGSW10MS	
	EZ-Fit® Filtration Unit, white gridded MCE membrane, 0.22 µm, 100 mL	Single	EFGSW10IS	
	EZ-Fit® Filtration Unit, white gridded MCE membrane, 0.22 µm, 250 mL	Single	EFGSW25IS	
BLUE base—with pad	EZ-Fit® Filtration Unit, white gridded MCE membrane, 0.45 µm, 100 mL	Bulk with protective bag	EFHAW100B	
	EZ-Fit® Filtration Unit, white gridded MCE membrane, 0.45 µm, 100 mL	Single	EFHAW100I	
	EZ-Fit® Filtration Unit, white gridded MCE membrane, 0.45 µm, 100 mL	Single with plug	EFHAW100IP	
	EZ-Fit® Filtration Unit, white gridded MCE membrane, 0.45 µm, 100 mL	Multipack of 3 units	EFHAW100M3	
	EZ-Fit® Filtration Unit, white gridded MCE membrane, 0.45 µm, 250 mL	Bulk with protective bag	EFHAW250B	
	EZ-Fit® Filtration Unit, white gridded MCE membrane, 0.45 µm, 250 mL	Single	EFHAW250I	
	EZ-Fit® Filtration Unit, black gridded MCE membrane, 0.45 µm, 100 mL	Bulk with protective bag	EFHAB100B	
	EZ-Fit® Filtration Unit, black gridded MCE membrane, 0.45 µm, 100 mL	Single	EFHAB100I	
	EZ-Fit® Filtration Unit, black gridded MCE membrane, 0.45 µm, 100 mL	Multipack of 3	EFHAB100M3	
	EZ-Fit® Manifold, 1-place for EZ-Fit® Filtration Units		1	EZFITEFUN1
	EZ-Fit® Manifold, 3-place for EZ-Fit® Filtration Units		1	EZFITEFUN3
EZ-Fit® Manifold, 6-place for EZ-Fit® Filtration Units		1	EZFITEFUN6	
EZ-Fit® filtration head for EZ-Fit® Filtration Units			EZFITMVHE1	
EZ-Fit® filtration head for EZ-Fit® Filtration Units		3	EZFITMVHE3	

Visit our website: [SigmaAldrich.com/EZ](https://www.sigmaaldrich.com/EZ)

DOMINIQUE DUTSCHER SAS

Merck KGaA  
Frankfurter Strasse 250  
64293 Darmstadt, Germany

[SigmaAldrich.com](http://SigmaAldrich.com)

