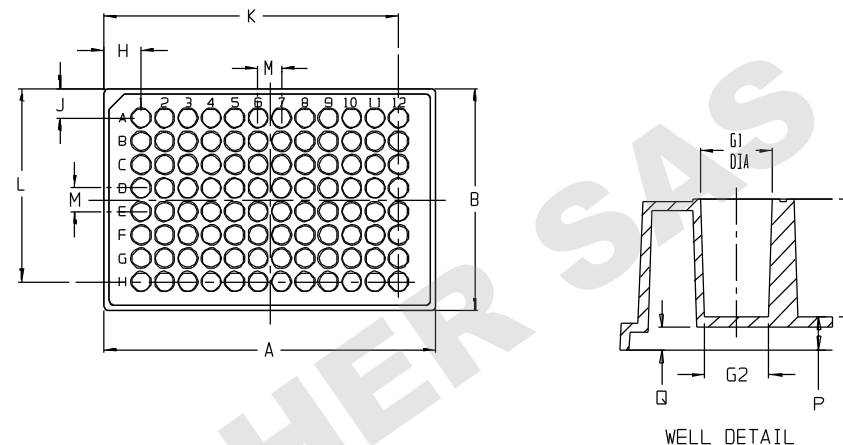


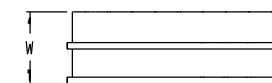
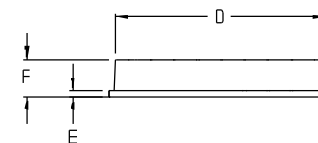
	CATALOG NUMBER	7571		RECOMMENDED
	WORKING VOLUME RANGE (μL)	50 - 280		DIMENSIONS FOR PLATE
	MAXIMUM VOLUME (μL)	330		DEFINITION SOFTWARE
	MATERIAL	PS		ON PLATE READERS
		INCH	MM	MICRONS
ANSI/SBS 1-2004	A (BASE LENGTH)	5.025	127.64	127640
ANSI/SBS 1-2004	B (BASE WIDTH)	3.365	85.47	85470
	C (TOP LENGTH)	4.88	123.95	
	D (TOP WIDTH)	3.217	81.7	
ANSI/SBS 3-2004 SHORT HEIGHT	E (FLANGE HEIGHT)	0.10	2.54	
ANSI/SBS 2-2004	F (OVERALL PLATE HEIGHT)	0.573	14.55	14550
	G1 (WELL DIAMETER AT TOP OF WELL)	0.277	7.04	7040
	G2 (WELL DIAMETER AT BOTTOM OF WELL)	0.245	6.22	6220
ANSI/SBS 4-2004	H (WELL A-1 LOCATION) (X AXIS)	0.555	14.10	14100
ANSI/SBS 4-2004	J (WELL A-1 LOCATION) (Y AXIS)	0.432	10.97	10970
	K (WELL H-12 LOCATION) (X AXIS)	4.465	113.41	113410
	L (WELL H-12 LOCATION) (Y AXIS)	2.920	74.17	74170
ANSI/SBS 4-2004	M (WELL -TO-WELL SPACING)	0.354	9.0	9000
	N (INSIDE DEPTH OF WELL)	0.427	10.85	10850
	P (VERTICAL DISTANCE FROM INSIDE WELL BOTTOM TO RESTING PLANE) (WBE)	0.14	3.6	3600
	Q (VERTICAL DISTANCE FROM OUTSIDE WELL BOTTOM TO RESTING PLANE)	0.09	2.0	2000
	*R (LID LENGTH)	-	-	
	*S (LID WIDTH)	-	-	
	*T (OVERALL LID HEIGHT, INCLUDING STACK LUGS)	-	-	
	*U (HEIGHT OF A SINGLE LIDDED PLATE, EXCLUDING STACK LUGS)	-	-	
	*V (HEIGHT OF TWO STACKED LIDDED PLATES, EXCLUDING STACK LUGS)	-	-	
	*W (HEIGHT OF TWO STACKED UNLIDDED PLATES)	1.074	27.28	

NOTES:

- ALL DIMENSIONS ARE NOMINAL AND EXPRESSED IN INCHES AND MILLIMETERS UNLESS OTHERWISE NOTED.
- DIMENSIONS SHOWN FOR PLATE DEFINITION SOFTWARE ARE RECOMMENDATIONS ONLY.
- THIS IS NOT A PRODUCTION DRAWING, BUT, IS FOR INFORMATIONAL PURPOSES ONLY AND IS SUBJECT TO CHANGE WITHOUT NOTICE.



PLATE



STACKED UNLIDDED PLATES

CONFIDENTIAL

THIS PRODUCT SPECIFICATION SHEET CONTAINS CONFIDENTIAL AND/OR PROPRIETARY INFORMATION AND IS TO BE USED ONLY FOR THE EXPRESSED PURPOSES AGREED UPON BY AN AUTHORIZED OFFICER OF THERMO FISHER SCIENTIFIC.

ThermoFisher
SCIENTIFIC

Thermo Fisher Scientific
75 Panorama Creek Drive
Rochester, NY 14625-2385, USA

MADE	KDW	APP'D	GRP	PSS 7571	REV.	0211
CR'D	PB		2/28/11			

DESCRIPTION: Microlite 1+, Low Signal Luminescence, Medium Binding
96 WELL, PS, F-BOTTOM PLATE, WHITE