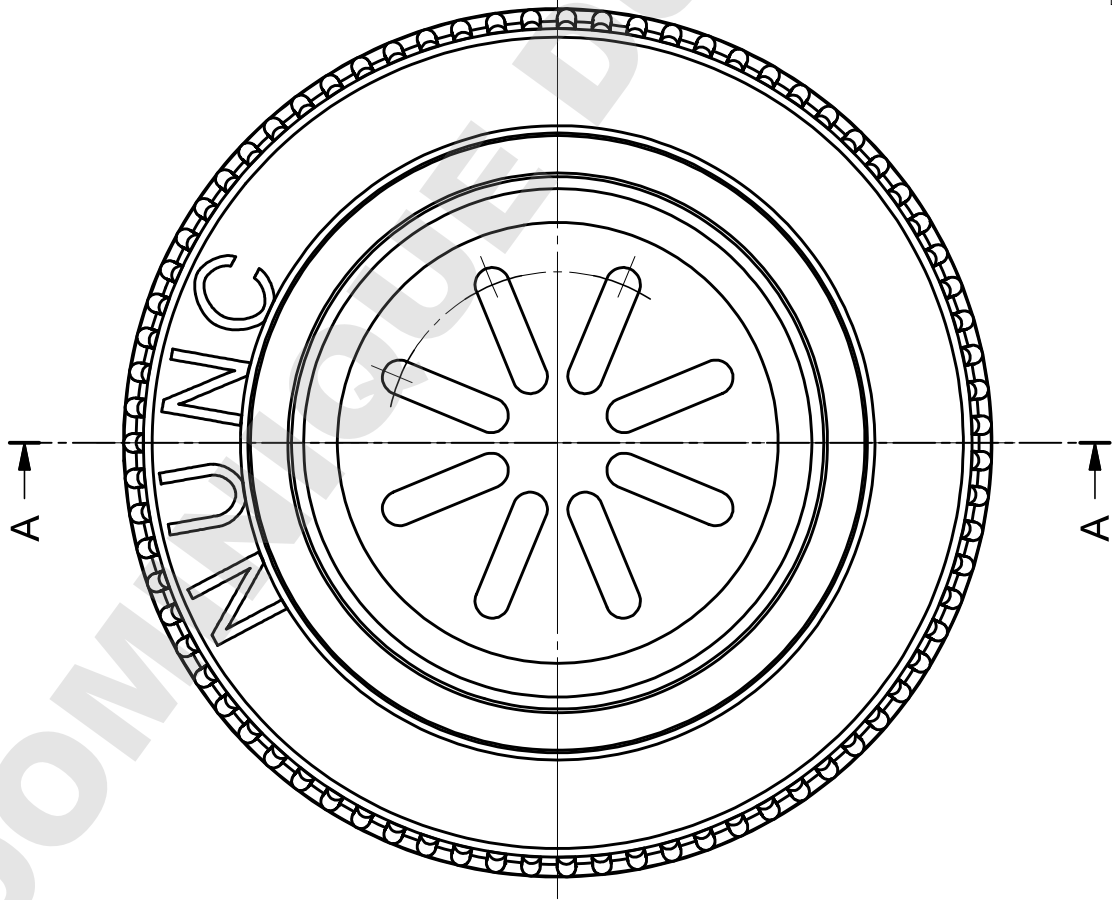
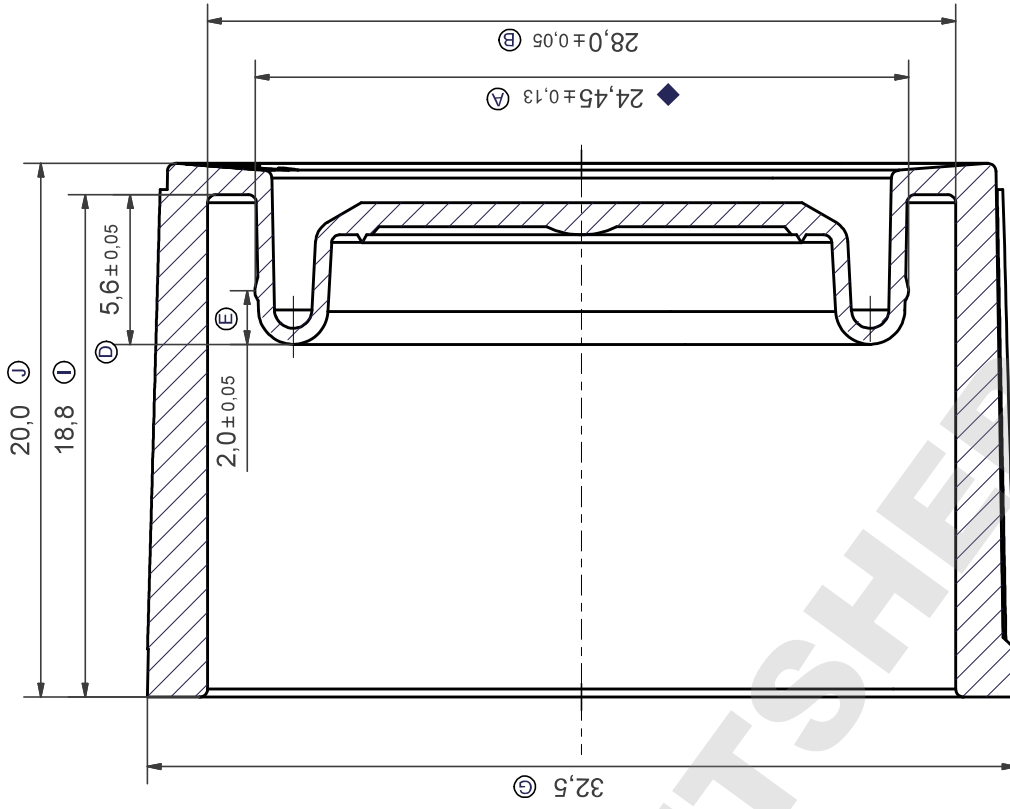


A-A (5:1)



**Thermo Fisher**  
SCIENTIFIC

Roskilde Site - Kamstrupvej 90 - P.O.Box 280  
DK-4000 Roskilde - Denmark  
Tel +45 4631 2000 - Fax +45 4631 2042  
E-mail: info.nunc@thermofisher.com

www.nuncbrand.com

SUBJECT:  
Filter cap

DRAWN BY/DATE:	CHANGE ORDER NO.:	VALID FROM:	APPROVED BY/DATE:	FORMAT:
JEP/1995.12.20	CO-1181	2009-02-24	LCH 2009-01-28	A3
ITEM NUMBER:	MATERIAL:	DRAWING NO.:	VERSION:	PAGE TYPE:
	PEHD	2789	10-a	-C
				SCALE:
				5:1
				METRIC
				ISO 1000