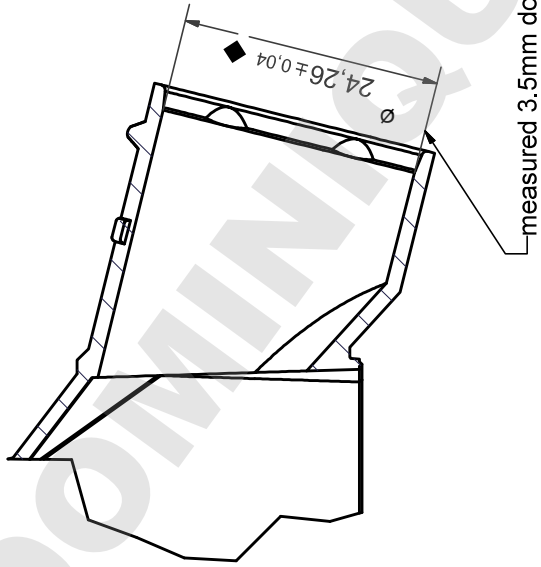
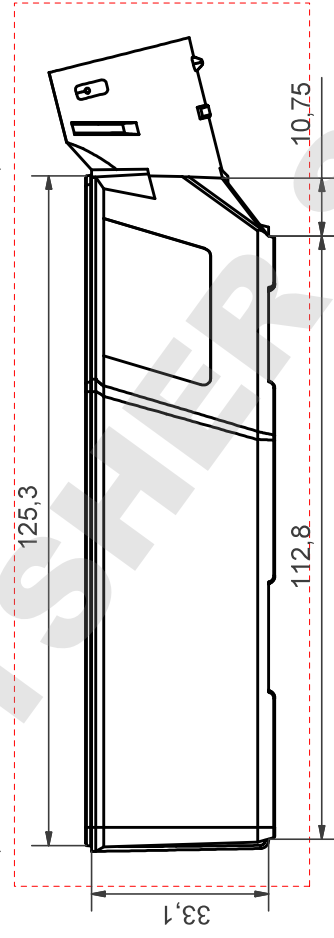
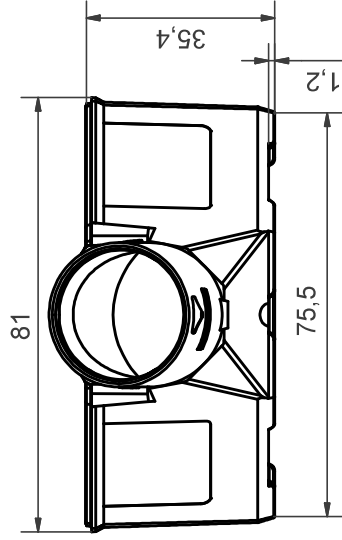
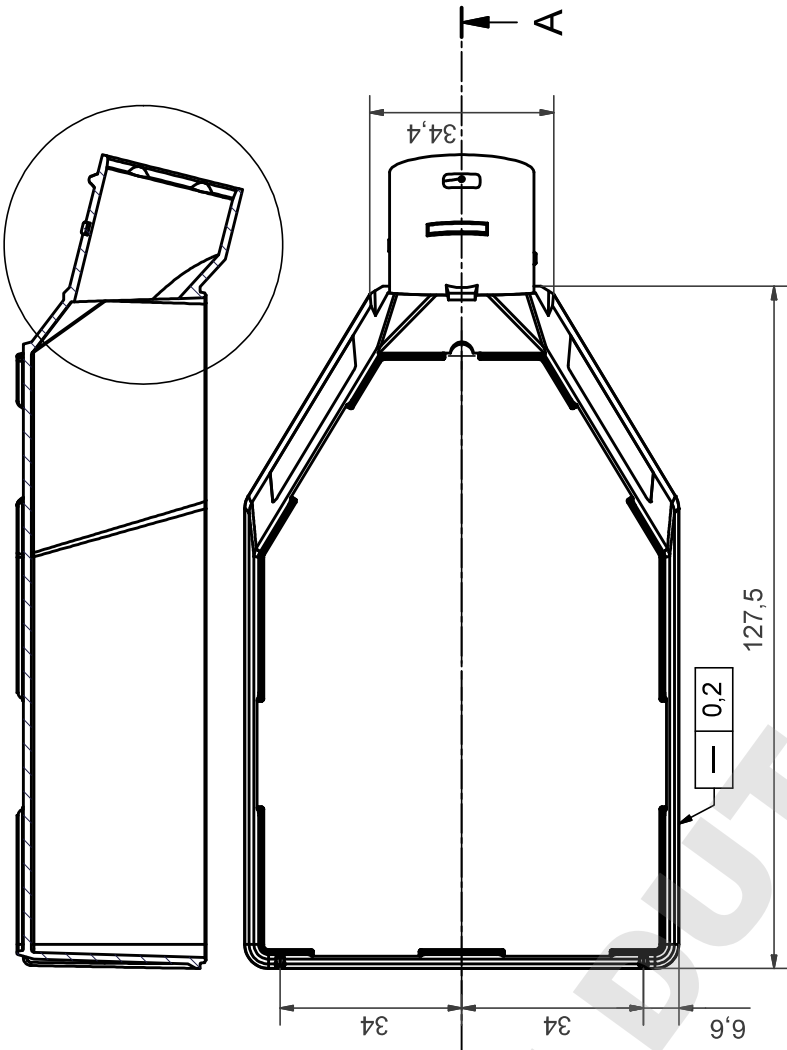


b (2:1)



A-A (1:1)



**Thermo Fisher**  
S C I E N T I F I C

Roskilde Site - Kamstrupvej 90 · P.O.Box 280  
DK-4000 Roskilde · Denmark  
Tel +45 4631 2000 · Fax +45 4631 2042  
E-mail: info.nunc@thermofisher.com

www.nuncbrand.com

|                         |  |                   |  |              |  |                   |  |               |  |
|-------------------------|--|-------------------|--|--------------|--|-------------------|--|---------------|--|
| SUBJECT:                |  | CHANGE ORDER NO.: |  | VALID FROM:  |  | APPROVED BY/DATE: |  | FORMAT:       |  |
| Bottom part 75cm2 flask |  | HES/24.03.04      |  | CO-1181      |  | AMU2007-10-26     |  | AMU2007-10-23 |  |
| NEWNUNC                 |  | MATERIAL:         |  | DRAWING NO.: |  | VERSION:          |  | PAGE TYPE:    |  |
|                         |  | PS                |  | 2774         |  | 10                |  | -C            |  |
|                         |  |                   |  |              |  |                   |  | SCALE:        |  |
|                         |  |                   |  |              |  |                   |  | 1:1           |  |
|                         |  |                   |  |              |  |                   |  | METRIC        |  |
|                         |  |                   |  |              |  |                   |  | mm            |  |