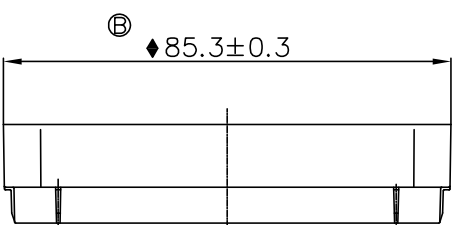
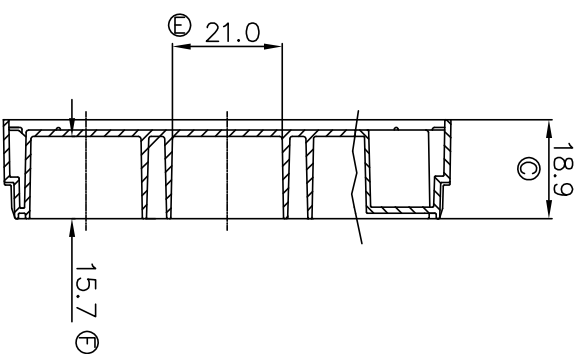


Section AA



Undefined radius: R 0.20 mm
 General draft angle 1.5°

Tolerances unless otherwise specified:
 Without decimal: ±0.5 mm
 1 place decimal: ±0.1 mm
 2 place decimal: ±0.05 mm

Roskilde Ste - Kamstrupvej 90 - P.O.Box 280
 DK-4000 Roskilde - Denmark
 Tel +45 4631 2000 - Fax +45 4631 2042
 E-mail: info.nunc@thermofisher.com

www.nuncbrand.com

SUBJECT: Bottom part for Multidish 12
 Main dimensions

DRAWING BY/DATE:	CHANGE ORDER NO.:	VALID FROM:	APPROVED BY/DATE:	FORMAT:
LNED/01.09.00	CC-1181	2008/01.29	HES 2008.01.22	A3
ITEM NUMBER:	MATERIAL:	DRAWING NO.:	PAGE TYPE:	SCALE:
PS		2741	-C	1:1
Roskilde Ste - Kamstrupvej 90 - P.O.Box 280 DK-4000 Roskilde - Denmark Tel +45 4631 2000 - Fax +45 4631 2042 E-mail: info.nunc@thermofisher.com				METRIC ISO 2859