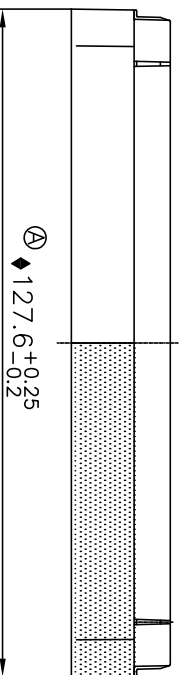
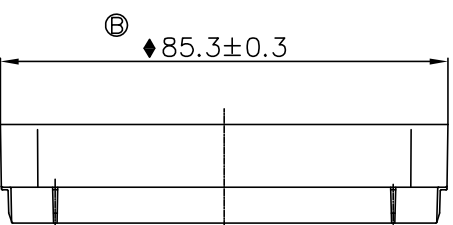
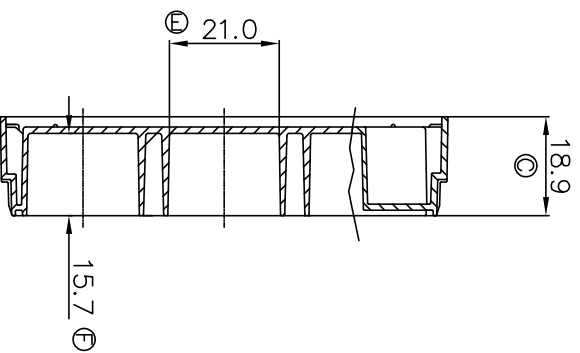


Section AA



Undefined radius: R 0.20 mm
General draft angle 1.5°

Tolerances unless otherwise specified:
Without decimal: ±0.5 mm
1 place decimal: ±0.1 mm
2 place decimal: ±0.05 mm

Roskilde Ste - Kamstrupvej 90 - P.O.Box 280
DK-4000 Roskilde - Denmark
Tel +45 4631 2000 - Fax +45 4631 2042
E-mail: info@nunc.com

www.nuncbrand.com

SUBJECT: Bottom part for Multidish 12
Main dimensions

DRAWING BY/DATE:	CHANGE ORDER NO.:	VALID FROM:	APPROVED BY/DATE:	FORMAT:
LNE/01.09.00	CC-1181	2008.01.29	HES 2008.01.22	A3
ITEM NUMBER:	MATERIAL:	VERSION:	PAGE TYPE:	SCALE:
PS		10	-C	1:1
DRAWING NO.:		SCALE:		METRIC
2741				ISO