

Surfaces:  
 All engravings to be polished  
 Surfaces inside of Well bottom: 1 my  
 All undefined surfaces: 3 my

Tolerances unless otherwise specified:  
 Without decimal:  $\pm 0.5$  mm  
 1 place decimal:  $\pm 0.1$  mm  
 2 place decimal:  $\pm 0.05$  mm  
 Material thickness:  $\pm 0.02$  mm

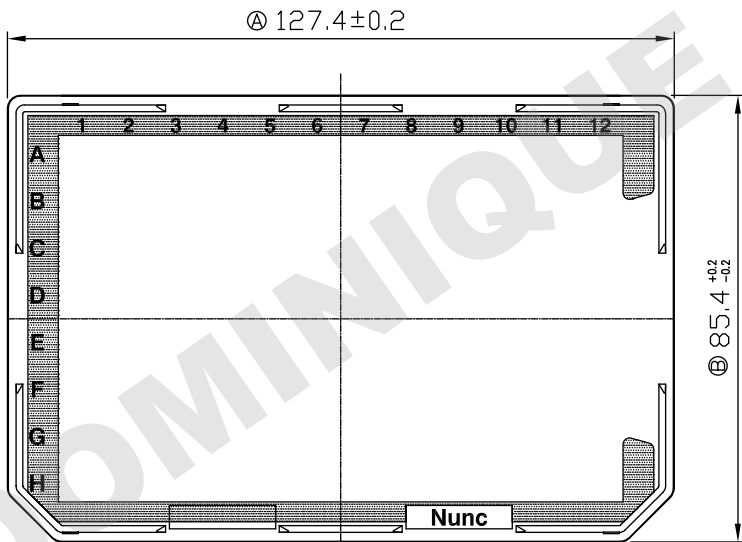
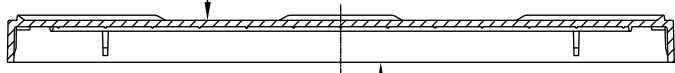
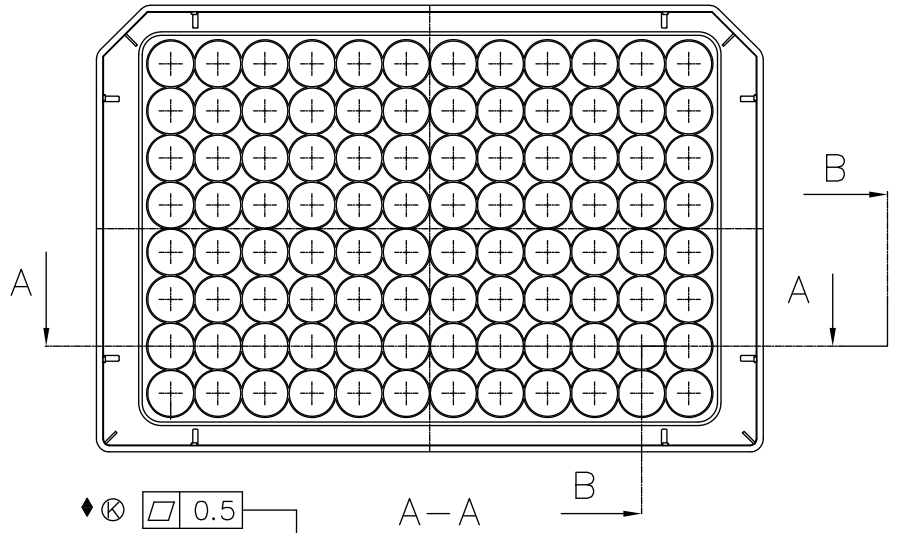
= Charmilles 25

Undefined radius: R 0.20 mm  
 Undefined Draft: 2°

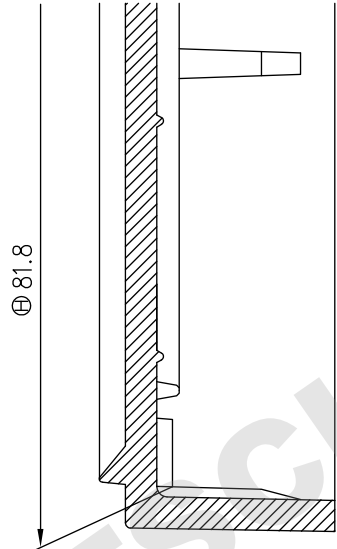
Roskilde Site · Kamstrupvej 90 · P.O.Box 280  
 DK-4000 Roskilde · Denmark  
 Tel +45 4631 2000 · Fax +45 4631 2042  
 E-mail: info.nunc@thermofisher.com

[www.nuncbrand.com](http://www.nuncbrand.com)

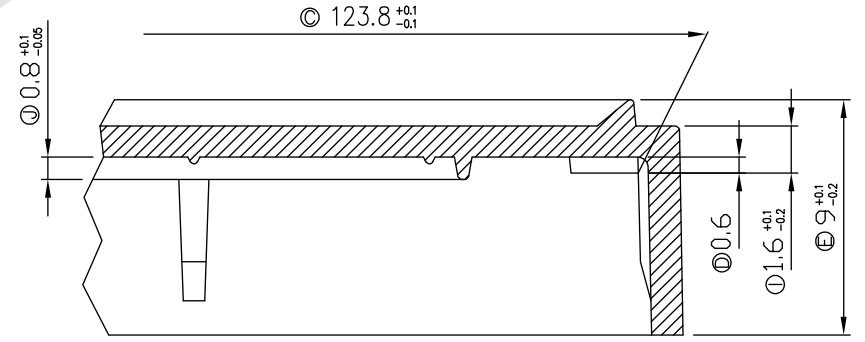
SUBJECT: MicroWell plate U96 Straight plate		DRAWN BY/DATE: MC/28.12.11	CHANGE ORDER NO.: CO-2490	VALID FROM: 2008.12.11	APPROVED BY/DATE: HES 2008.12.09	FORMAT: A3
ITEM NUMBER:	MATERIAL: PS	DRAWING NO.: 2949	VERSION: 11	PAGE TYPE: -C	SCALE: 21, 1:1	METRIC This is a metric product.



Noncamber  
 ◆  $\square 0.3$  4X  $\odot$



B-B  
 5:1



A-A  
 5:1

Tolerances unless otherwise specified:  
 Without decimal:  $\pm 0.5\text{mm}$   
 1 place decimal:  $\pm 0.1\text{mm}$   
 2 place decimal:  $\pm 0.05\text{mm}$

Roskilde Site · Kamstrupvej 90 · P.O.Box 280  
 DK-4000 Roskilde · Denmark  
 Tel +45 4631 2000 · Fax +45 4631 2042  
 E-mail: info.nunc@thermofisher.com

[www.nuncbrand.com](http://www.nuncbrand.com)

SUBJECT: Lid for MicroWell plates	DRAWN BY/DATE: JEP/06.05.02	CHANGE ORDER NO.: CO-2492	VALID FROM: 2008.11.27	APPROVED BY/DATE: JR 2008.11.19	FORMAT: A3
	ITEM NUMBER: 50172	MATERIAL: PS	DRAWING NO.: 2205	VERSION: 11	PAGE TYPE: -C
			SCALE: 1:1	METRIC First step injection	