

The Clear Choice for High-quality Imaging

Using Thermo Scientific™ Nunc™ Glass Bottom Dishes in your research applications gives you the flexibility to convert your culture device into an imaging device. This means you keep the same seeding density, media volume and culture conditions.

The Nunc glass bottom dish combines the convenience of a standard 35mm cell culture dish with the imaging benefits of coverglass to provide the optimum optical characteristics required for high-magnification microscopy and confocal image analysis.



Improve the quality of your high resolution cell culture images. These dishes are ideal for observation at high magnification in a variety of applications.

Reduce media evaporation and contamination.

The dish lid minimizes evaporation, at the same time keeping the contents free from airborne contaminants. Improve microscopic compatibility and eliminate issues related to well size and number.

Knowledgeable support.

Our Technical Support team can guide you in streamlining your lab's cell culture workflow. Consult with us for recommendations to optimize all your cell culture processes.

Applications:

- Fluorescence microscopy
- Phase contrast microscopy
- Confocal microscopy
- Live cell imaging
- Differential interference contrast microscopy
- Fluorescence *in situ* hybridization (FISH)

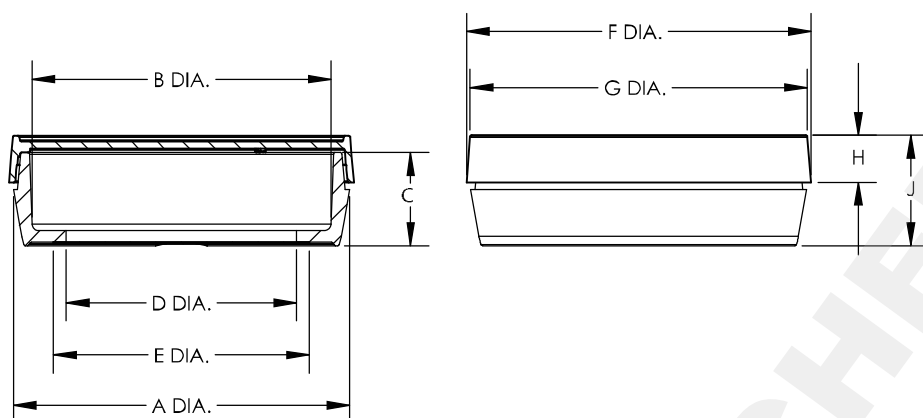
Specifications

Glass Thickness 0.16-0.19mm Borosilicate Cover Glass

Size of Dish 35mm

Working Volume 3.0mL

Notes: The cover glass in the bottom cannot be detached. Do not use with methanol, ethanol, acetone or chloroform. Glass bottom dishes are not available in Japan.



Dimension	150680		150682	
	INCH	MM	INCH	MM
A Dish outer diameter	1.551	39.4	1.551	39.4
B Dish bottom diameter	1.380	35.0	1.380	35.0
C Dish height	0.429	10.9	0.429	10.9
D Diameter of viewing area	1.181	12.0	1.063	27.0
E Glass insert diameter	0.591	15.0	0.472	30.0
F Lid outside diameter	1.591	40.4	1.591	40.4
G Lid top diameter	1.556	39.5	1.556	39.5
H Lid height	0.217	5.5	0.217	5.5
J Overall height	0.508	12.9	0.508	12.9

Catalog Number	Description	Qty/Pack	Qty/Case
150680	Nunc Glass Bottom Dish, 12mm	1	20
150682	Nunc Glass Bottom Dish, 27mm	1	20

thermoscientific.com

© 2013 Thermo Fisher Scientific Inc. All rights reserved. All trademarks are the property of Thermo Fisher Scientific Inc. and its subsidiaries. Specifications, terms and pricing are subject to change. Not all products are available in all countries. Please consult your local sales representative for details.

Africa-Other +27 11 570 1840
Australia +61 2 8844 9500
Austria +43 1 333 50 34 0
Belgium +32 53 73 42 41
Canada +1 800 530 8447
China +86 10 8419 3588
Denmark +45 70 23 62 60
Europe-Other +43 1 333 50 34 0

Finland /Norway/Sweden
 +46 8 556 468 00
France +33 1 60 92 48 00
Germany +49 6103 408 1014
India +91 22 6742 9434
Italy +39 02 950 591
Japan +81 45 453 9100
Latin America +1 608 276 5659

Middle East +43 1 333 50 34 0
Netherlands +31 76 579 55 55
South Africa +27 11 570 1840
Spain +34 914 845 965
Switzerland +41 61 716 77 00
UK +44 1442 233555
USA +1 800 532 4752

Thermo

SCIENTIFIC

Part of Thermo Fisher Scientific