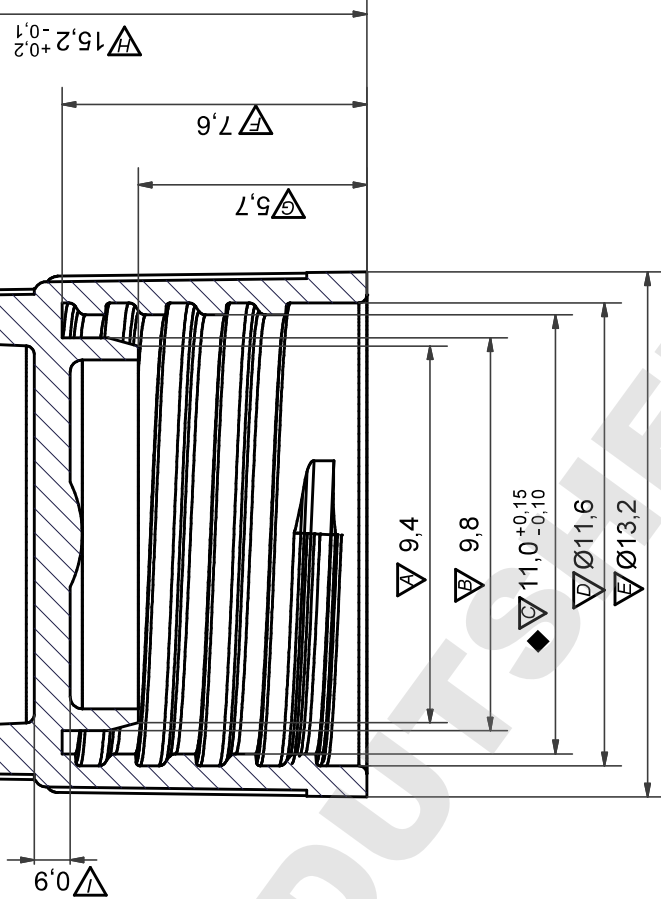
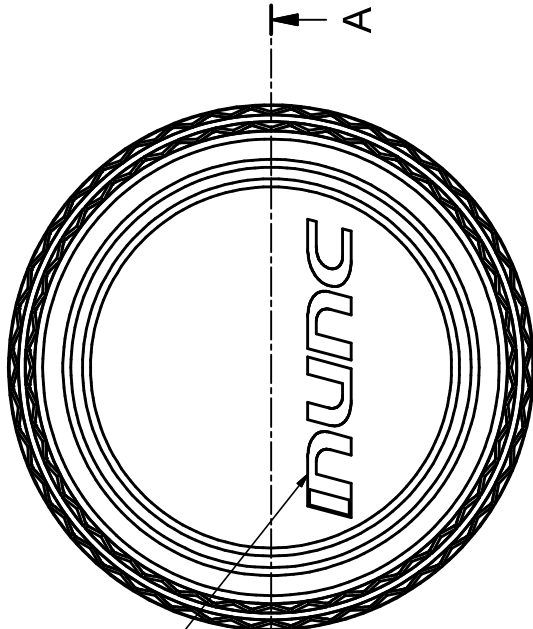
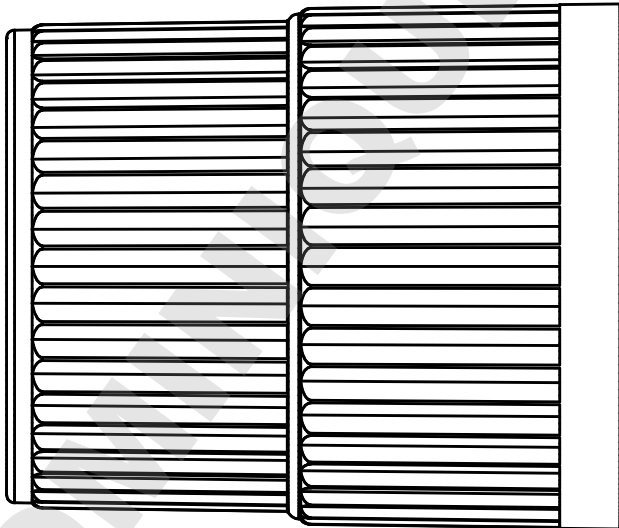


A-A (7,5 : 1)
 $\nabla \text{Ø}10,0$



Undefined radius: R 0.2 mm
 Tolerances unless otherwise specified:
 Without decimal: ± 0.5 mm
 1 place decimal: ± 0.1 mm
 2 place decimal: ± 0.05 mm



Depth: 0,15mm positive

Thermo Fisher
 S C I E N T I F I C

SUBJECT:
 Stopper for cryotube
 Ext.thread

Nunc A/S · Kamstrupvej 90 · P.O.Box 280
 DK-4000 Roskilde · Denmark
 Tel +45 4631 2000 · Fax +45 4631 2042
 E-mail: info.nunc@thermofisher.com

www.thermoscientific.com

DRAWN BY/DATE:		CHANGE ORDER NO.:		VALID FROM:		APPROVED BY/DATE:		FORMAT:	
PBE/2011.06.20		CO-4256		26-06-2013		ROSKGA 25-06-2013 /A3		ROSKGA 25-06-2013 /A3	
ITEM NUMBER:		MATERIAL:		DRAWING NO.:		VERSION:		PAGE TYPE:	
75329		HDPE		2324		13-b		-C	
								SCALE:	
								5:1	
								METRIC	
								FIRST ANGLE	