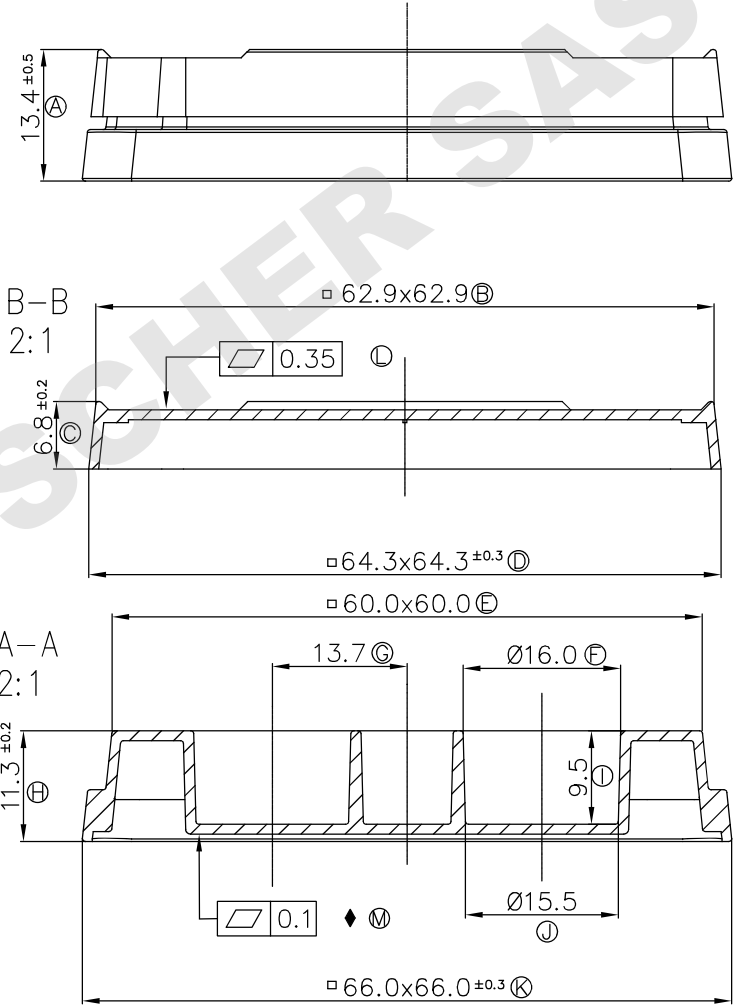
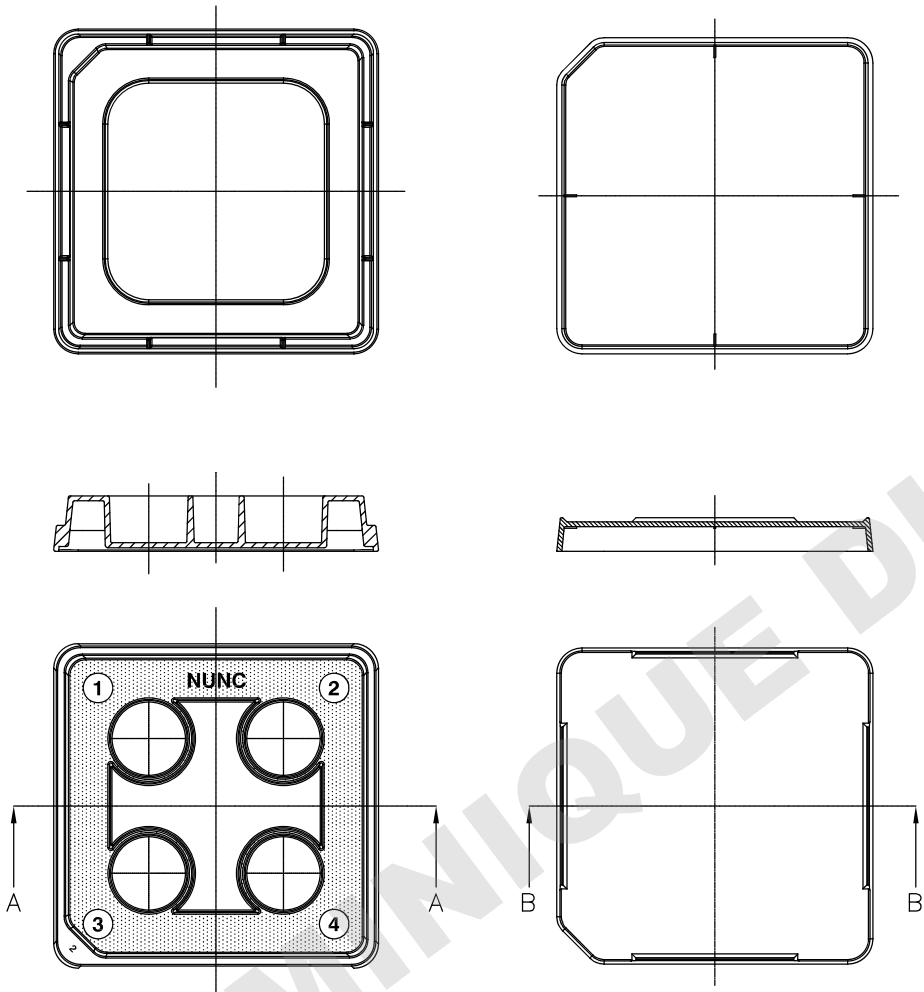


Assembly



Tolerances unless otherwise specified:
 Without decimal: ± 0.5 mm
 1 place decimal: ± 0.1 mm
 2 place decimal: ± 0.05 mm

Undefined radius: R 0.20 mm

Roskilde Site - Kamstrupvej 90 - P.O.Box 280 DK-4000 Roskilde - Denmark Tel +45 4631 2000 • Fax +45 4631 2042 E-mail: info.nunc@thermofisher.com				www.nuncbrand.com		
SUBJECT: Multidish 4, part No. 2 and 3 Base and lid.		DRAWN BY/DATE: JEP/08.11.01	CHANGE ORDER NO.:- CO-5317	VALID FROM: 2014.02.19	APPROVED BY/DATE: ROSJRE2014.02.19	FORMAT: A3
ITEM NUMBER:	MATERIAL: PS	DRAWING NO.:- 3018	VERSION: 11	PAGE TYPE: -C	SCALE: 1:1 (2:1)	METRIC