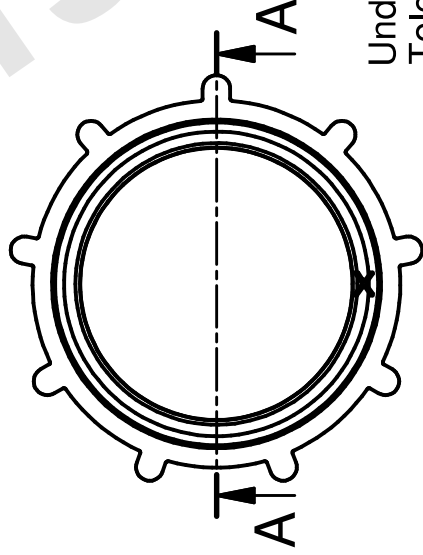
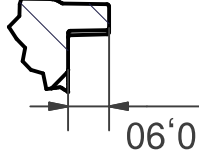


A-A (3 : 1)

B (6 : 1)



Undefined radius: R 0.2 mm
 Tolerances unless otherwise specified:
 Without decimal: ±0.5 mm
 1 place decimal: ±0.1 mm
 2 place decimal: ±0.05 mm

Thermo Fisher

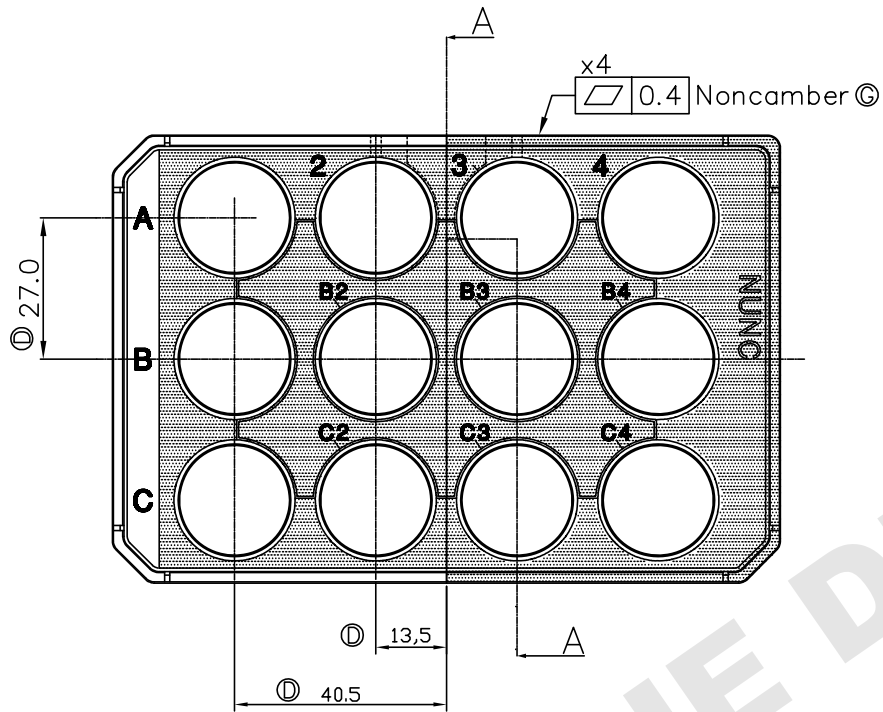
S C I E N T I F I C

Nunc A/S · Kamstrupvej 90 · P.O.Box 280
 DK-4000 Roskilde · Denmark
 Tel +45 4631 2000 · Fax +45 4631 2042
 E-mail: info.nunc@thermofisher.com

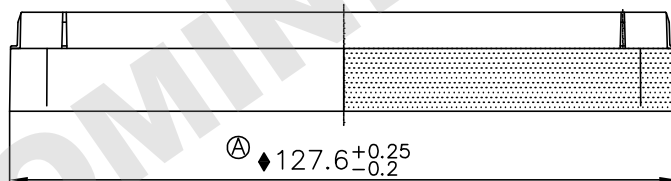
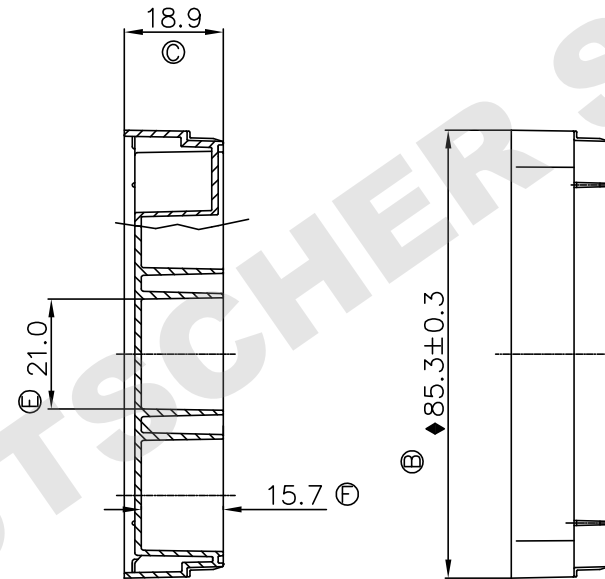
www.thermoscientific.com

SUBJECT:
 2nd gen. TC Insert for MD
 12

DRAWN BY/DATE: IKJ/2009-11-02	CHANGE ORDER NO.: CO-2859	VALID FROM: 2011-06-16	APPROVED BY/DATE: ROSPSI 2011-05-30	FORMAT: A4
ITEM NUMBER: PS	MATERIAL: PS	DRAWING NO.: 3622	PAGE TYPE: -C	SCALE: 1:1
			VERSION: 10-a	METRIC Drawing Package



Section AA



Tolerances unless otherwise specified:
 Without decimal: ±0.5 mm
 1 place decimal: ±0.1 mm
 2 place decimal: ±0.05 mm

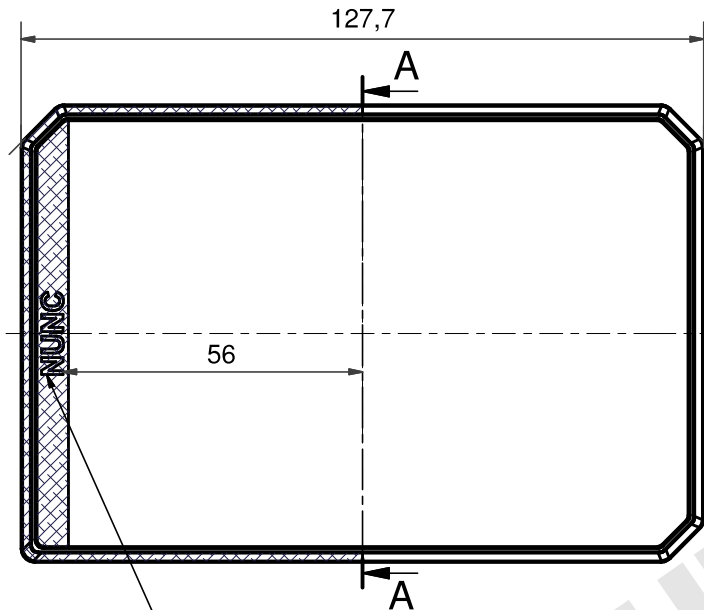
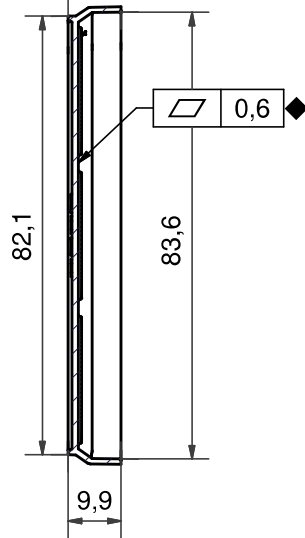
Undefined radius: R 0.20 mm
 General draft angle 1.5°

Roskilde Site · Kamstrupvej 90 · P.O.Box 280
 DK-4000 Roskilde · Denmark
 Tel +45 4631 2000 · Fax +45 4631 2042
 E-mail: info.nunc@thermofisher.com

www.nuncbrand.com

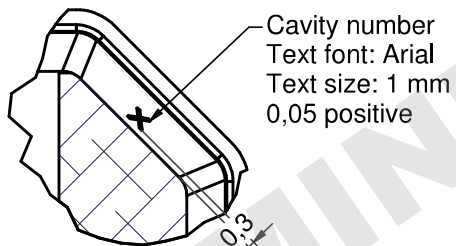
SUBJECT: Bottom part for Multidish 12 Main dimensions		DRAWN BY/DATE: LNE/01.09.00	CHANGE ORDER NO.: CO-1181	VALID FROM: 2008.01.29	APPROVED BY/DATE: HES 2008.01.22	FORMAT: A3
ITEM NUMBER:	MATERIAL: PS	DRAWING NO.: 2741	VERSION: 10	PAGE TYPE: -C	SCALE: 1:1	METRIC FIRST ANGLE PREFERRED

A-A (1:1)



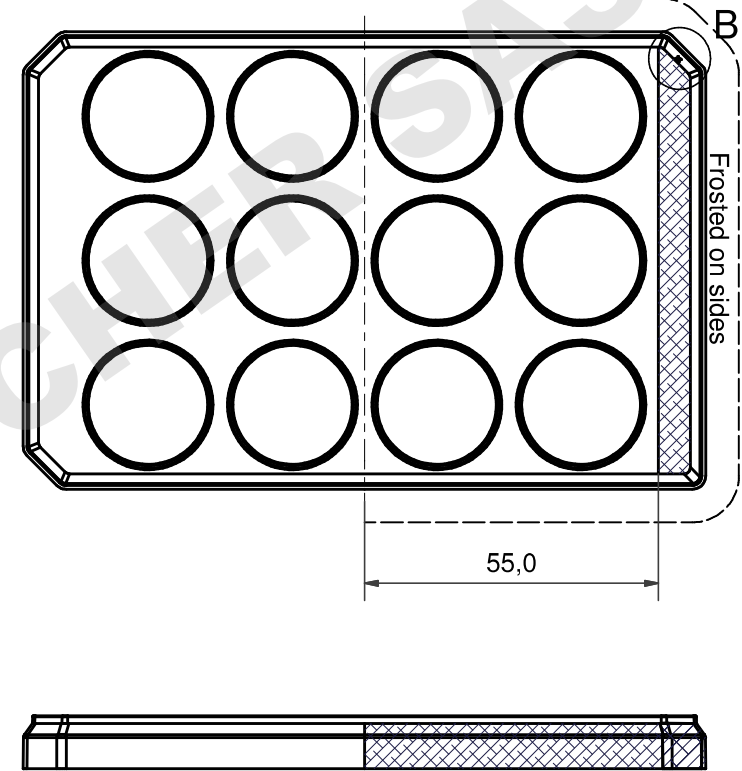
NUNC logo to be polished
Text font: Arial
Text size: 4.0
0,05 negative

B (4:1)



Cavity number
Text font: Arial
Text size: 1 mm
0,05 positive

= Surface frosting, charmilles 25



Undefined radius: R 0.2 mm
Tolerances unless otherwise specified:
Without decimal: ± 0.5 mm
1 place decimal: ± 0.1 mm
2 place decimal: ± 0.05 mm

Thermo Fisher
SCIENTIFIC

Nunc A/S · Kamstrupvej 90 · P.O.Box 280
DK-4000 Roskilde · Denmark
Tel +45 4631 2000 · Fax +45 4631 2042
E-mail: info.nunc@thermofisher.com

www.thermoscientific.com

SUBJECT: Lid for multidish 12		DRAWN BY/DATE: MS/30.06.99	CHANGE ORDER NO.: CO-2859	VALID FROM: 2011-06-16	APPROVED BY/DATE: ROSPSI 2011-05-30	FORMAT: A3
ITEM NUMBER:	MATERIAL: PS	DRAWING NO.: 2740	VERSION: 10-a	PAGE TYPE: -C	SCALE:	METRIC <small>First angle Projection</small>