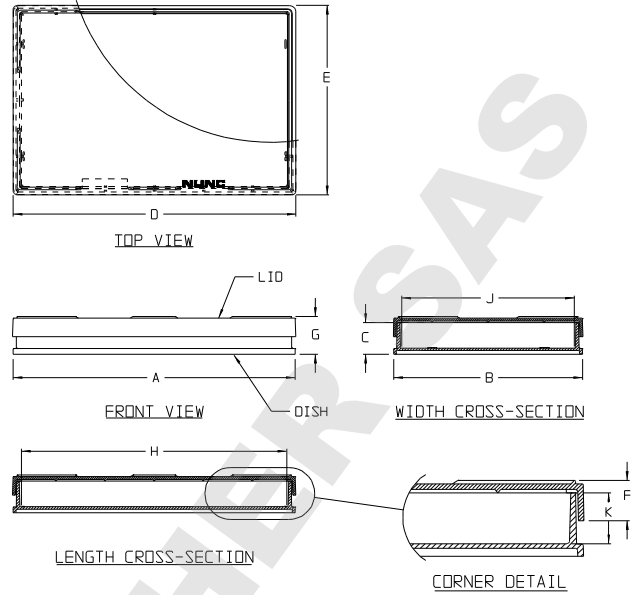


NUMBER OF WELLS.....		1	
MATERIAL	DISH.....	POLYSTYRENE	
	LID.....	POLYSTYRENE	
		INCH	MM
A (DISH BASE LENGTH).....	5.03	127.8	
B (DISH BASE WIDTH).....	3.37	85.5	
C (DISH HEIGHT).....	0.57	14.5	
D (LID LENGTH).....	5.04	128.0	
E (LID WIDTH).....	3.38	85.9	
F (LID HEIGHT).....	0.36	9.1	
G (OVERALL HEIGHT).....	0.68	17.3	
H (WELL BOTTOM LENGTH, FLAT).....	4.78	121.4	
J (WELL BOTTOM WIDTH, FLAT).....	3.07	78.0	
K (WELL DEPTH).....	0.45	11.6	

CATALOG NUMBER	DISH COLOR	TREATED
140156	CLEAR	YES
140175	WHITE	YES
267060	CLEAR	NO



SPECS ON BACK

NOT TO SCALE

NOTES:

1. ALL DIMENSIONS ARE NOMINAL AND IN INCHES AND MILLIMETERS UNLESS OTHERWISE NOTED.
2. THIS IS NOT A PRODUCTION DRAWING, BUT IS FOR INFORMATIONAL PURPOSES ONLY, AND IS SUBJECT TO CHANGE WITHOUT NOTICE.

CONFIDENTIAL

THIS PRODUCT SPECIFICATION SHEET CONTAINS CONFIDENTIAL AND/OR PROPRIETARY INFORMATION AND IS TO BE USED ONLY FOR THE EXPRESSED PURPOSES AGREED UPON BY AN AUTHORIZED OFFICER OF THERMO FISHER SCIENTIFIC.

**ThermoFisher**  
**SCIENTIFIC**

Thermo Fisher Scientific  
75 Panorama Creek Drive  
Rochester, NY 14625-2385, USA

REV: MC-2	APP'D: PVC	PSS 140156	REV: 1004
ISS: 10/18/04	10/20/04		

DESCRIPTION: 1-WELL DISH W/ LID

DOMINIQUE DUT...