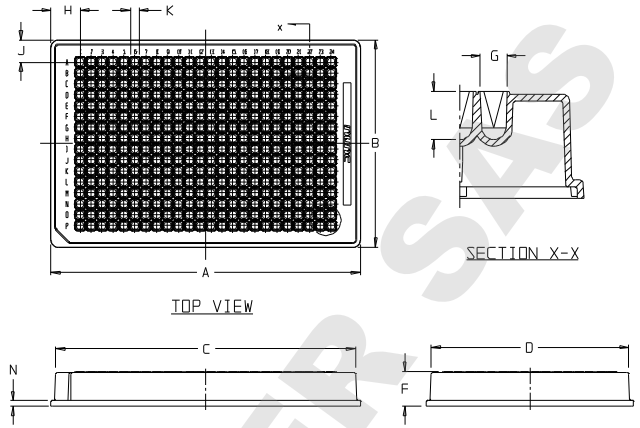


CATALOG NUMBER.....	SEE BELOW	
NOM. CAP. (mL).....	0.35	
MATERIAL.....	PP	
	INCH	MM
A (BASE LENGTH).....	5.030	127.76
B (BASE WIDTH).....	3.365	85.47
C (TOP LENGTH).....	4.85	123.2
D (TOP WIDTH).....	3.18	80.8
F (OVERALL HEIGHT).....	0.57	14.5
G DIA.....	0.14	3.6
H (A-I LOCATION) (X).....	0.47	11.9
J (A-I LOCATION) (Y).....	0.35	8.9
K (WELL-TO-WELL SPACING).....	0.18	4.6
L (WELL DEPTH).....	0.26	6.6
N (FLANGE SHORT SIDE).....	0.10	2.5

CATALOG NUMBER	COLOR
267459	NATURAL
267460	NATURAL (STERILE)
267461	BLACK
267462	WHITE

NOTES:

1. ALL DIMENSIONS ARE NOMINAL AND IN INCHES AND MILLIMETERS UNLESS OTHERWISE NOTED.
2. THIS IS NOT A PRODUCTION DRAWING, BUT IS FOR INFORMATIONAL PURPOSES ONLY, AND IS SUBJECT TO CHANGE WITHOUT NOTICE.



SPECS ON BACK

NOT TO SCALE

CONFIDENTIAL

THIS PRODUCT SPECIFICATION SHEET CONTAINS CONFIDENTIAL AND/OR PROPRIETARY INFORMATION AND IS TO BE USED ONLY FOR THE EXPRESSED PURPOSES AGREED UPON BY AN AUTHORIZED OFFICER OF THERMO FISHER SCIENTIFIC.

ThermoFisher
SCIENTIFIC

Thermo Fisher Scientific
75 Panorama Creek Drive
Rochester, NY 14625-2385, USA

PAGE	PB	APP'D	PVC	PSS 2674XX	REV.
DATE	1-18-05		1/18/05		0105

DESCRIPTION:
384, 35u1, PP, WELL PLATE

DOMINIQUE DUTY