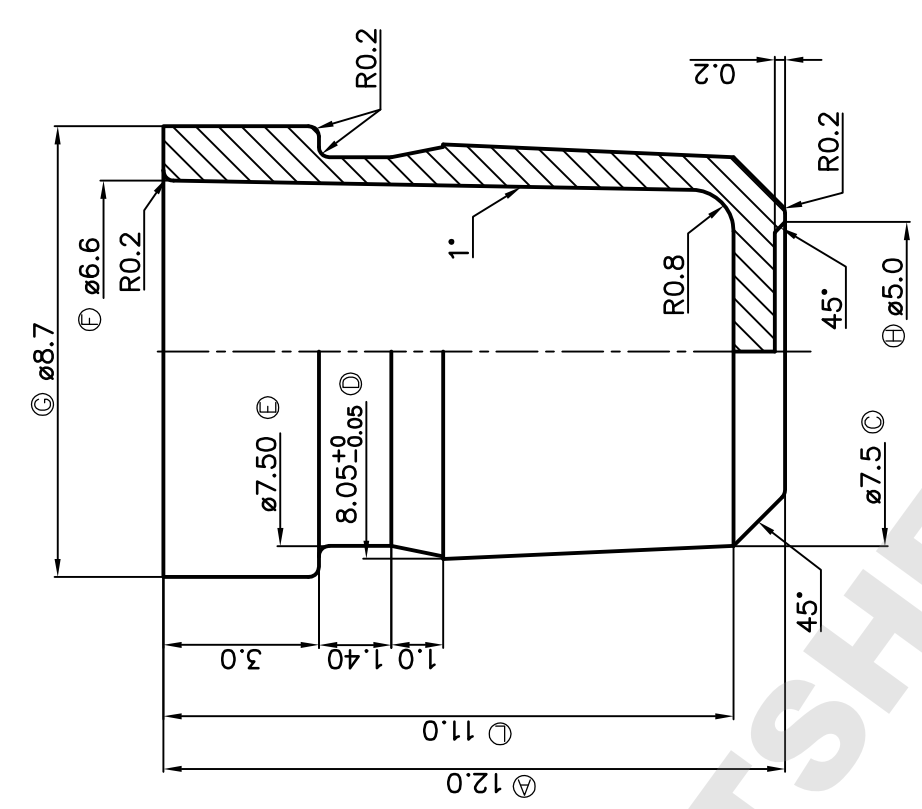
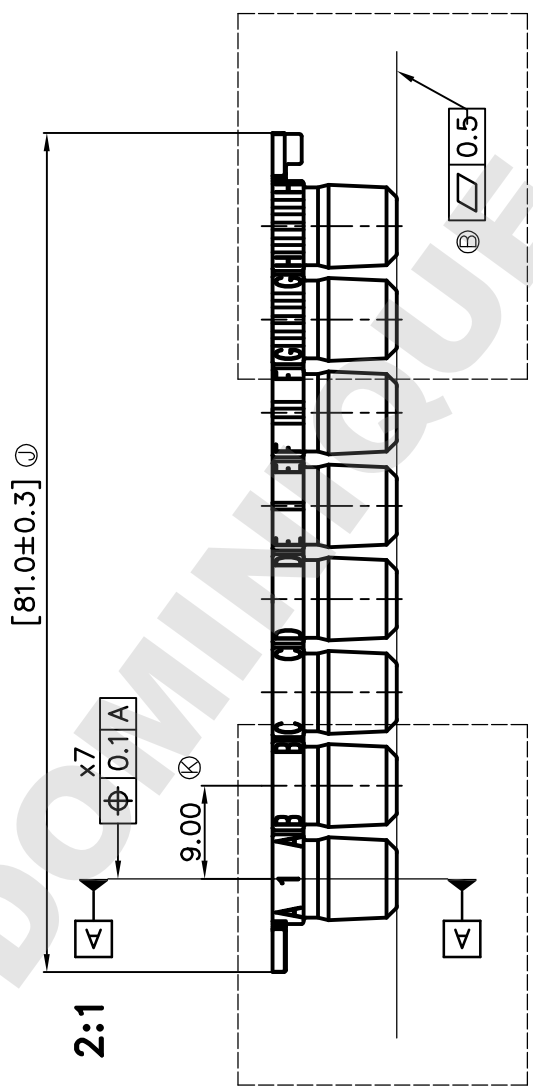


# Section AA 10:1

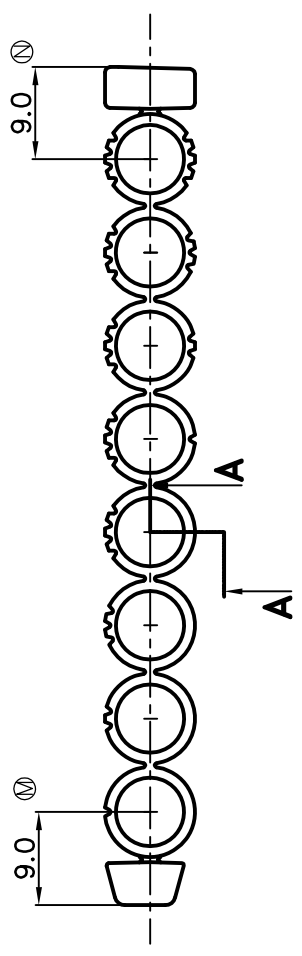


Tolerances unless otherwise specified:  
 Without decimal: ±0.5 mm  
 1 place decimal: ±0.1 mm  
 2 place decimal: ±0.05 mm



Detail C

Detail B



**ThermoFisher**  
 SCIENTIFIC

Roskilde Site • Kamstrupvej 90 • P.O. Box 280  
 DK-4000 Roskilde • Denmark  
 Tel +45 4631 2000 • Fax +45 4631 2042  
 E-mail: info,nunc@thermofisher.com

www.nuncbrand.com

SUBJECT: LovkWell C8 strip		CHANGE ORDER NO.:	VALID FROM:	APPROVED BY/DATE:	FORMAT:
DRAWN BY/DATE:	MS/99,08,06	CC-1181	2008,07,28	LCH 2008,07,21	A3
ITEM NUMBER:	46482	MATERIAL:	PS	PAGE TYPE:	SCALE:
		DRAWING NO.:	2331	VERSION:	10
				PAGE TYPE:	SCALE:
					10:1 2:1