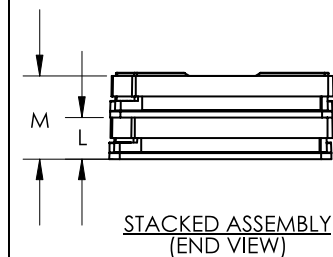
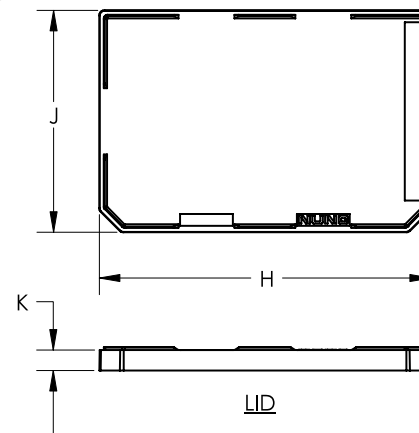
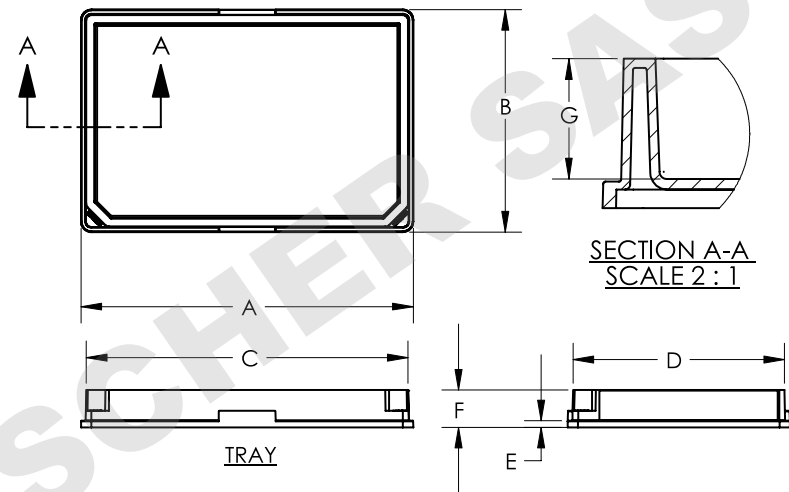


CATALOG NUMBER	SEE CHART BELOW	
TOTAL VOLUME, mL	90	
SUGGESTED WORKING VOL., mL	35	
NOM. CULTURE AREA (cm <sup>2</sup> )	84	
MATERIAL (PLATE & LID)	POLYSTYRENE	
	INCH	MM
A (BASE LENGTH)	5.030	127.76
B (BASE WIDTH)	3.365	85.47
C (TOP LENGTH)	4.87	123.7
D (TOP WIDTH)	3.20	81.3
E (FLANGE HEIGHT)	0.10	2.5
F (OVERALL HEIGHT)	0.57	14.5
G (WELL DEPTH)	0.46	11.7
H (LID LENGTH)	5.02	127.5
J (LID WIDTH)	3.36	85.3
K (LID HEIGHT)	0.31	7.9
L (STACKED HEIGHT W/LIDS)	0.63	16.0
M (ASSEMBLY HEIGHT W/LID)	1.26	32.0

CATALOG NO.	COLOR	UNITS PER (PK/CASE)
165218	CLEAR	10/60
242811	CLEAR	10/60
264728	CLEAR	10/90
465219	CLEAR	10/60

1. ALL DIMENSIONS ARE NOMINAL AND IN INCHES AND MILLIMETERS UNLESS OTHERWISE NOTED.
2. THIS IS NOT A PRODUCTION DRAWING, BUT IS FOR INFORMATIONAL PURPOSES ONLY, AND IS SUBJECT TO CHANGE WITHOUT NOTICE.



SPECS ON BACK

NOT TO SCALE

### CONFIDENTIAL

THIS PRODUCT SPECIFICATION SHEET CONTAINS CONFIDENTIAL AND/OR PROPRIETARY INFORMATION AND IS TO BE USED ONLY FOR THE EXPRESSED PURPOSES AGREED UPON BY AN AUTHORIZED OFFICER OF THERMO FISHER SCIENTIFIC.

**ThermoFisher**  
**SCIENTIFIC**

Thermo Fisher Scientific  
75 Panorama Creek Drive  
Rochester, NY 14625-2385, USA

MADE	PB	APP'D	PVC	PSS 165218	REV.	0307
CK'D	KOW	3/21/07				

DESCRIPTION:

OMNITRAY