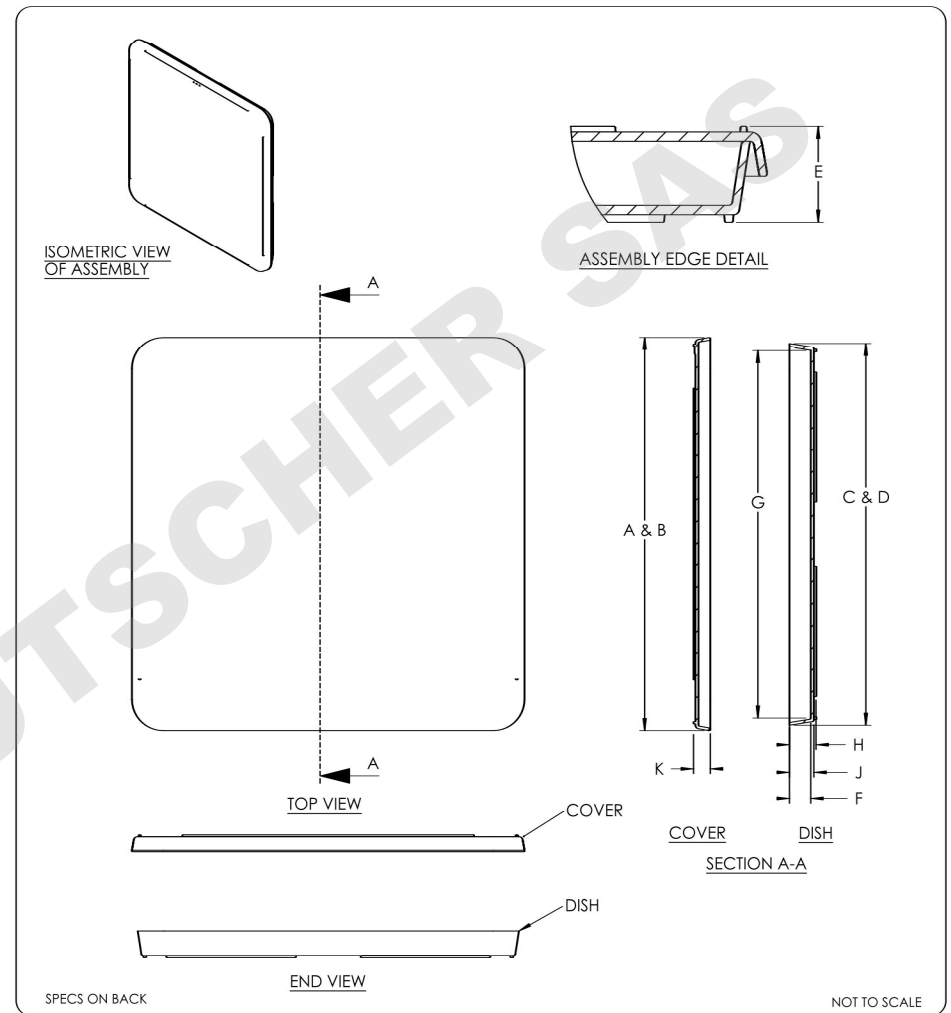


CATALOG NUMBER.....:	240845	
MATERIAL.....:	PS	
	INCH	MM
A (COVER OVERALL WIDTH)::	9.48	240.8
B (COVER OVERALL LENGTH):	9.48	240.8
C (DISH OVERALL WIDTH).....:	9.19	233.4
D (DISH OVERALL LENGTH).....:	9.19	233.4
E (OVERALL HEIGHT WITH RIBS).....:	0.77	19.6
F (DISH INSIDE HEIGHT).....:	0.52	13.1
G (DISH INSIDE BOTTOM).....:	8.92	226.5
H (DISH OUTSIDE WITH RIBS).....:	0.66	16.8
J (DISH OUTSIDE W/O RIBS).....:	0.59	15.0
K (COVER HEIGHT W/ RIBS).....:	0.41	10.3

1. ALL DIMENSIONS ARE NOMINAL AND IN INCHES AND MILLIMETERS UNLESS OTHERWISE NOTED.
2. THIS IS NOT A PRODUCTION DRAWING, BUT IS FOR INFORMATIONAL PURPOSES ONLY, AND IS SUBJECT TO CHANGE WITHOUT NOTICE.



CONFIDENTIAL

THIS PRODUCT SPECIFICATION SHEET CONTAINS CONFIDENTIAL AND/OR PROPRIETARY INFORMATION AND IS TO BE USED ONLY FOR THE EXPRESSED PURPOSES AGREED UPON BY AN AUTHORIZED OFFICER OF THERMO FISHER SCIENTIFIC.

**ThermoFisher
SCIENTIFIC**

Thermo Fisher Scientific
75 Panorama Creek Drive
Rochester, NY 14625-2385, USA

MADE	MCC	APPROV	PVC	PSS	PSS 240845	REV.	0103
CTD	RDR	1/28/04					

DESCRIPTION: **LOW PROFILE BIO-ASSAY DISH**