

SPECS ON BACK

NOT TO SCALE

CONFIDENTIAL

THIS PRODUCT SPECIFICATION SHEET CONTAINS CONFIDENTIAL AND/OR PROPRIETARY INFORMATION AND IS TO BE USED ONLY FOR THE EXPRESSED PURPOSES AGREED UPON BY AN AUTHORIZED OFFICER OF THERMO FISHER SCIENTIFIC.

ThermoFisher
SCIENTIFIC

Thermo Fisher Scientific
75 Panorama Creek Drive
Rochester, NY 14625-2385, USA

MADE	JDD	APP'D	<i>[Signature]</i>
CR'D	KGW	DATE	2/7/08

PSS 154WWW

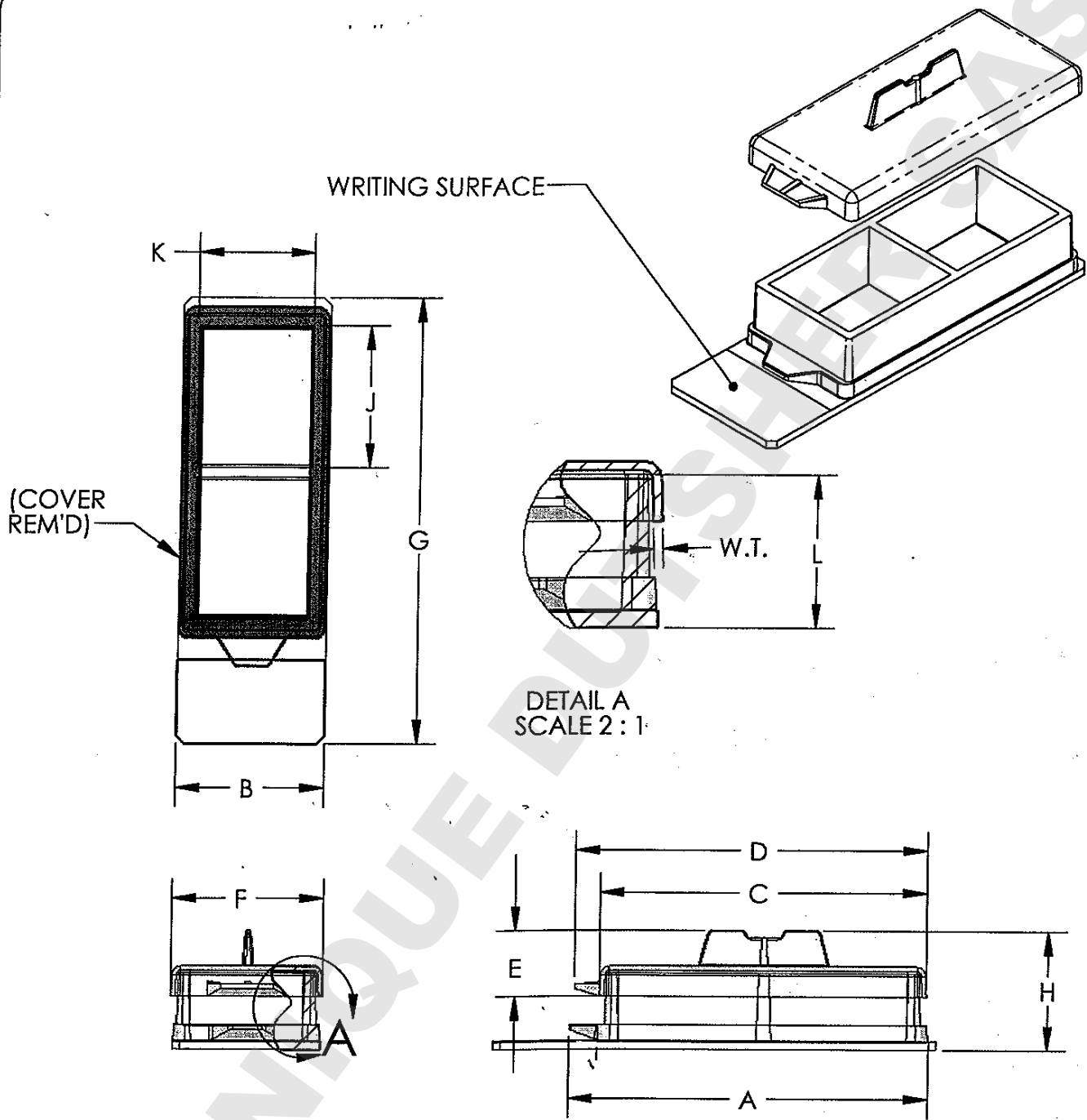
REV.	0207
------	------

DESCRIPTION:

LAB-TEK™ II 1-WELL STERILE CHAMBER SLIDES™

CATALOG NUMBER		154453	154739
GROWTH SURFACE		RS	CC ² ™
WRITING SURFACE COLOR		WHITE	BLUE
NUMBER OF WELLS		1	
SUGGESTED WORKING VOLUME (ml)		2.0-4.5	
CULTURE AREA (cm ² /WELL)		8.6	
MATERIAL	MEDIA CHAMBER	POLYSTYRENE	
	COVER	POLYSTYRENE	
	BOTTOM	SODA LIME GLASS	
		INCH	MM
A (MEDIA CHAMBER LENGTH)		2.38	60.5
B (GLASS WIDTH)		0.99	25.1
C (COVER LENGTH)		2.18	55.4
D (COVER PLUS TAB LENGTH)		2.36	59.9
E (COVER HEIGHT)		0.45	11.4
F (COVER WIDTH)		1.01	25.7
G (GLASS LENGTH)		2.94	74.7
H (OVERALL HEIGHT)		0.79	20.0
J (WELL LENGTH- TOP)		1.94	49.3
K (WELL WIDTH- TOP)		0.77	19.6
L (CHAMBER HEIGHT)		0.50	12.7
W.T. (COVER WALL THICKNESS)		0.03	0.76

1. ALL DIMENSIONS ARE NOMINAL AND IN INCHES AND MILLIMETERS UNLESS OTHERWISE NOTED.
2. THIS IS NOT A PRODUCTION DRAWING, BUT IS FOR INFORMATIONAL PURPOSES ONLY, AND IS SUBJECT TO CHANGE WITHOUT NOTICE.



SPECS ON BACK

NOT TO SCALE

CONFIDENTIAL

THIS PRODUCT SPECIFICATION SHEET CONTAINS CONFIDENTIAL AND/OR PROPRIETARY INFORMATION AND IS TO BE USED ONLY FOR THE EXPRESSED PURPOSES AGREED UPON BY AN AUTHORIZED OFFICER OF THERMO FISHER SCIENTIFIC.

**ThermoFisher
SCIENTIFIC**

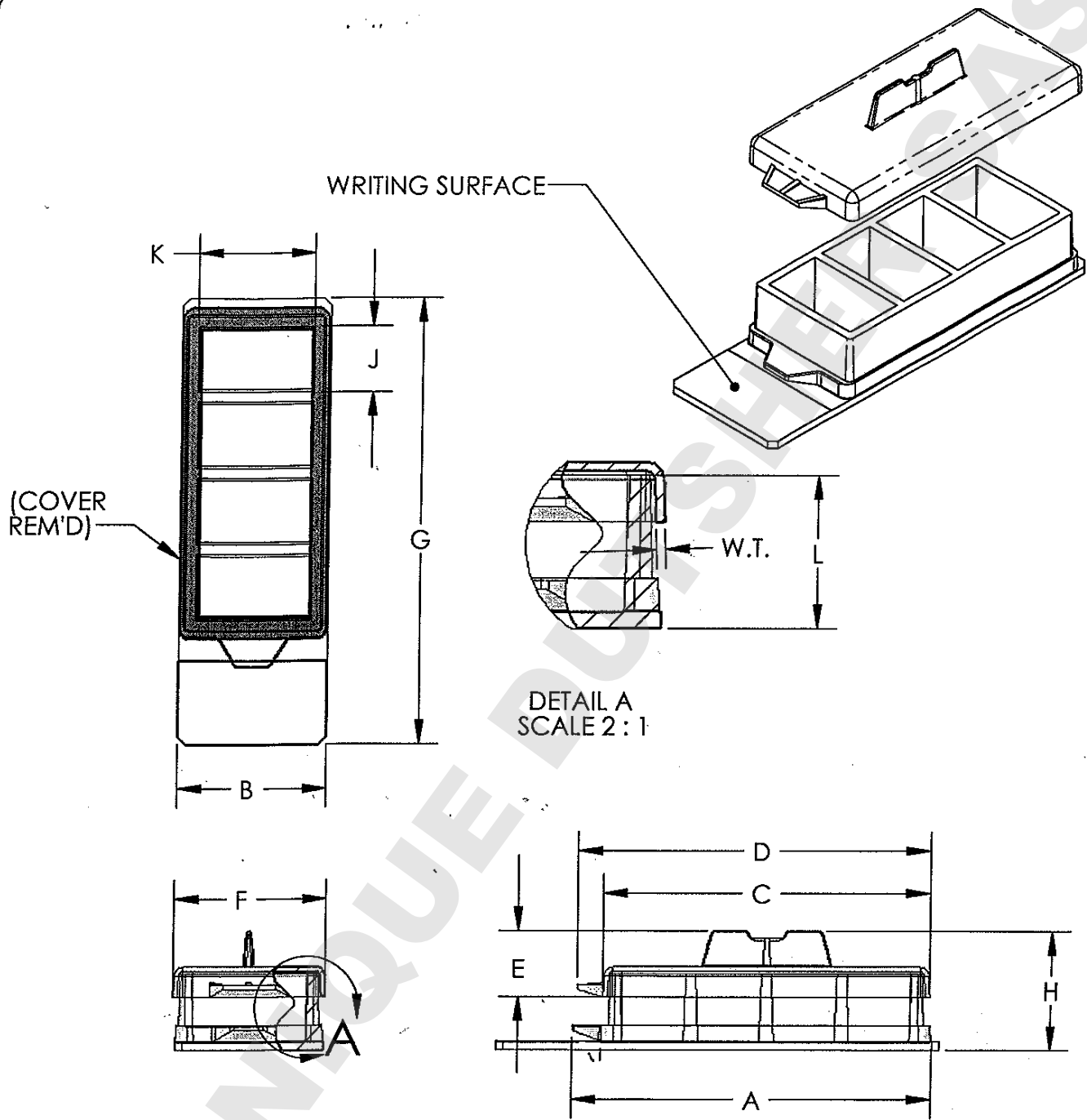
Thermo Fisher Scientific
75 Panorama Creek Drive
Rochester, NY 14625-2385, USA

MADE	JDD	APFD	PSS 154XXX	REV.	0207
CKD	Kowd	2/7/07			

DESCRIPTION: LAB-TEK™ II 2-WELL STERILE CHAMBER SLIDES™

CATALOG NUMBER		154461	154852
GROWTH SURFACE		RS	CC ² ™
WRITING SURFACE COLOR		WHITE	BLUE
NUMBER OF WELLS		2	
SUGGESTED WORKING VOLUME (ml)		1.0-2.0	
CULTURE AREA (cm ² /WELL)		4.0	
MATERIAL	MEDIA CHAMBER	POLYSTYRENE	
	COVER	POLYSTYRENE	
	BOTTOM	SODA LIME GLASS	
		INCH	MM
A (MEDIA CHAMBER LENGTH)		2.38	60.5
B (GLASS WIDTH)		0.99	25.1
C (COVER LENGTH)		2.18	55.4
D (COVER PLUS TAB LENGTH)		2.36	59.9
E (COVER HEIGHT)		0.45	11.4
F (COVER WIDTH)		1.01	25.7
G (GLASS LENGTH)		2.94	74.7
H (OVERALL HEIGHT)		0.79	20.0
J (WELL LENGTH- TOP)		0.94	23.9
K (WELL WIDTH- TOP)		0.77	19.6
L (CHAMBER HEIGHT)		0.50	12.7
W.T. (COVER WALL THICKNESS)		0.03	0.76

1. ALL DIMENSIONS ARE NOMINAL AND IN INCHES AND MILLIMETERS UNLESS OTHERWISE NOTED.
2. THIS IS NOT A PRODUCTION DRAWING, BUT IS FOR INFORMATIONAL PURPOSES ONLY, AND IS SUBJECT TO CHANGE WITHOUT NOTICE.



SPECS ON BACK

NOT TO SCALE

CONFIDENTIAL

THIS PRODUCT SPECIFICATION SHEET CONTAINS CONFIDENTIAL AND/OR PROPRIETARY INFORMATION AND IS TO BE USED ONLY FOR THE EXPRESSED PURPOSES AGREED UPON BY AN AUTHORIZED OFFICER OF THERMO FISHER SCIENTIFIC.

**ThermoFisher
SCIENTIFIC**

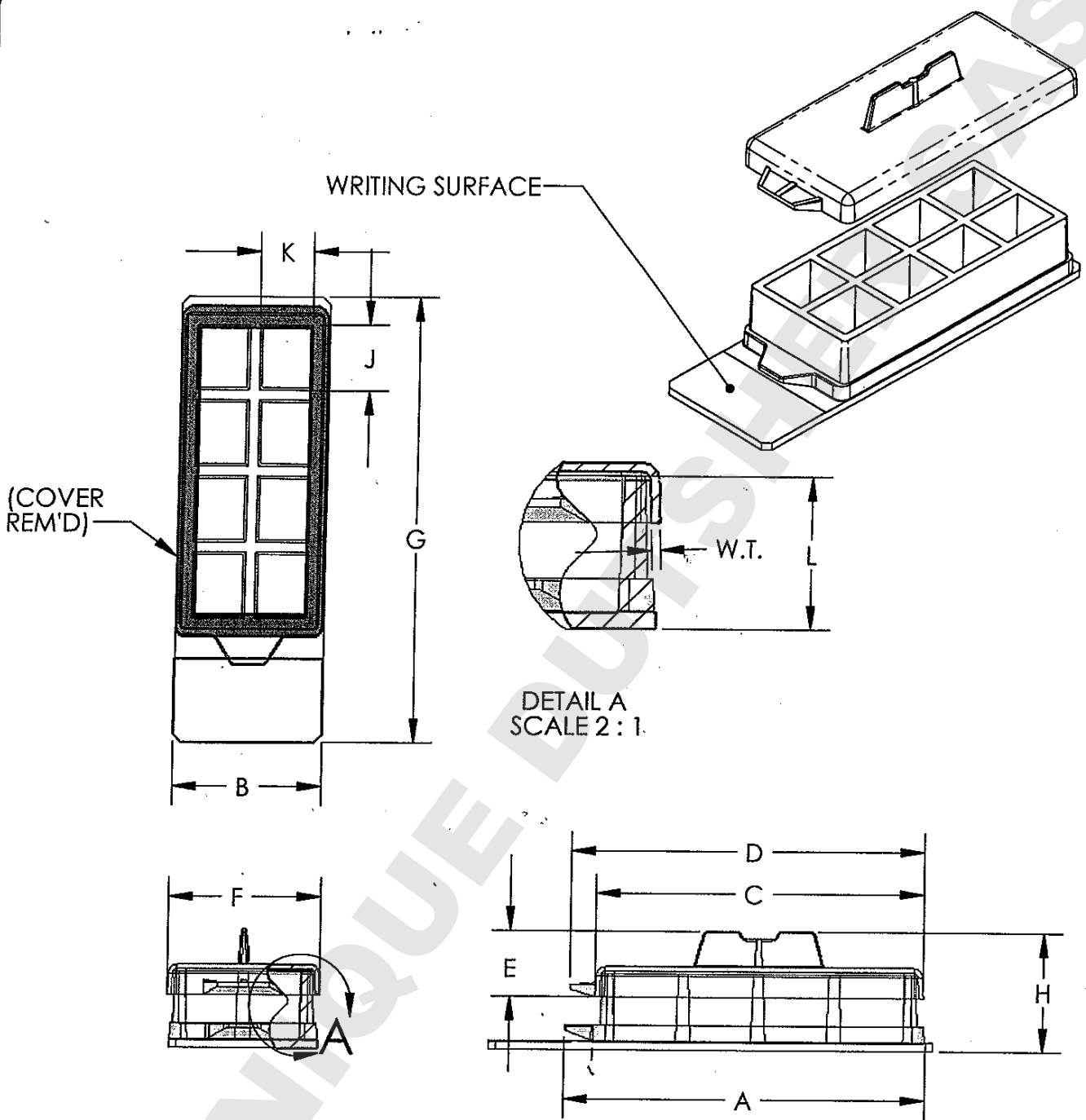
Thermo Fisher Scientific
75 Panorama Creek Drive
Rochester, NY 14625-2385, USA

MADE	JDD	APPROV	<i>[Signature]</i>	PSS 154YYY	REV.	0207
CKD	Kaw	DATE	2/7/07			

DESCRIPTION: LAB-TEK™ II 4-WELL STERILE CHAMBER SLIDES™

CATALOG NUMBER		154526	154917
GROWTH SURFACE		RS	CC ² ™
WRITING SURFACE COLOR		WHITE	BLUE
NUMBER OF WELLS		4	
SUGGESTED WORKING VOLUME (ml)		0.5-1.0	
CULTURE AREA (cm ² /WELL)		1.7	
MATERIAL	MEDIA CHAMBER	POLYSTYRENE	
	COVER	POLYSTYRENE	
	BOTTOM	SODA LIME GLASS	
		INCH	MM
A (MEDIA CHAMBER LENGTH)		2.38	60.5
B (GLASS WIDTH)		0.99	25.1
C (COVER LENGTH)		2.18	55.4
D (COVER PLUS TAB LENGTH)		2.36	59.9
E (COVER HEIGHT)		0.45	11.4
F (COVER WIDTH)		1.01	25.7
G (GLASS LENGTH)		2.94	74.7
H (OVERALL HEIGHT)		0.79	20.0
J (WELL LENGTH- TOP)		0.43	10.9
K (WELL WIDTH- TOP)		0.77	19.6
L (CHAMBER HEIGHT)		0.50	12.7
W.T. (COVER WALL THICKNESS)		0.03	0.76

1. ALL DIMENSIONS ARE NOMINAL AND IN INCHES AND MILLIMETERS UNLESS OTHERWISE NOTED.
2. THIS IS NOT A PRODUCTION DRAWING, BUT IS FOR INFORMATIONAL PURPOSES ONLY, AND IS SUBJECT TO CHANGE WITHOUT NOTICE.



SPECS ON BACK

NOT TO SCALE

CONFIDENTIAL

THIS PRODUCT SPECIFICATION SHEET CONTAINS CONFIDENTIAL AND/OR PROPRIETARY INFORMATION AND IS TO BE USED ONLY FOR THE EXPRESSED PURPOSES AGREED UPON BY AN AUTHORIZED OFFICER OF THERMO FISHER SCIENTIFIC.

ThermoFisher
SCIENTIFIC

Thermo Fisher Scientific
75 Panorama Creek Drive
Rochester, NY 14625-2385, USA

MADE	JDD	APPR	<i>[Signature]</i>
CKD	Kuw	DATE	2/7/07

PSS 154ZZZ

REV.	0207
------	------

DESCRIPTION: LAB-TEK™ II 8-WELL STERILE CHAMBER SLIDES™

CATALOG NUMBER		154534	154941
GROWTH SURFACE		RS	CC ² ™
WRITING SURFACE COLOR		WHITE	BLUE
NUMBER OF WELLS		8	
SUGGESTED WORKING VOLUME (ml)		0.2-0.5	
CULTURE AREA (cm ² /WELL)		0.7	
MATERIAL	MEDIA CHAMBER	POLYSTYRENE	
	COVER	POLYSTYRENE	
	BOTTOM	SODA LIME GLASS	
		INCH	MM
A (MEDIA CHAMBER LENGTH)		2.38	60.5
B (GLASS WIDTH)		0.99	25.1
C (COVER LENGTH)		2.18	55.4
D (COVER PLUS TAB LENGTH)		2.36	59.9
E (COVER HEIGHT)		0.45	11.4
F (COVER WIDTH)		1.01	25.7
G (GLASS LENGTH)		2.94	74.7
H (OVERALL HEIGHT)		0.79	20.0
J (WELL LENGTH- TOP)		0.43	10.9
K (WELL WIDTH- TOP)		0.35	8.9
L (CHAMBER HEIGHT)		0.50	12.7
W.T. (COVER WALL THICKNESS)		0.03	0.76

1. ALL DIMENSIONS ARE NOMINAL AND IN INCHES AND MILLIMETERS UNLESS OTHERWISE NOTED.
2. THIS IS NOT A PRODUCTION DRAWING, BUT IS FOR INFORMATIONAL PURPOSES ONLY, AND IS SUBJECT TO CHANGE WITHOUT NOTICE.