

SPECS ON BACK

NOT TO SCALE

**CONFIDENTIAL**

THIS PRODUCT SPECIFICATION SHEET CONTAINS CONFIDENTIAL AND/OR PROPRIETARY INFORMATION AND IS TO BE USED ONLY FOR THE EXPRESSED PURPOSES AGREED UPON BY AN AUTHORIZED OFFICER OF THERMO FISHER SCIENTIFIC.

**ThermoFisher**  
SCIENTIFIC

Thermo Fisher Scientific  
75 Panorama Creek Drive  
Rochester, NY 14625-2385, USA

MADE	JDD	APPR	<i>[Signature]</i>
CRD	KGW	DATE	2/7/08

PSS 154WWW

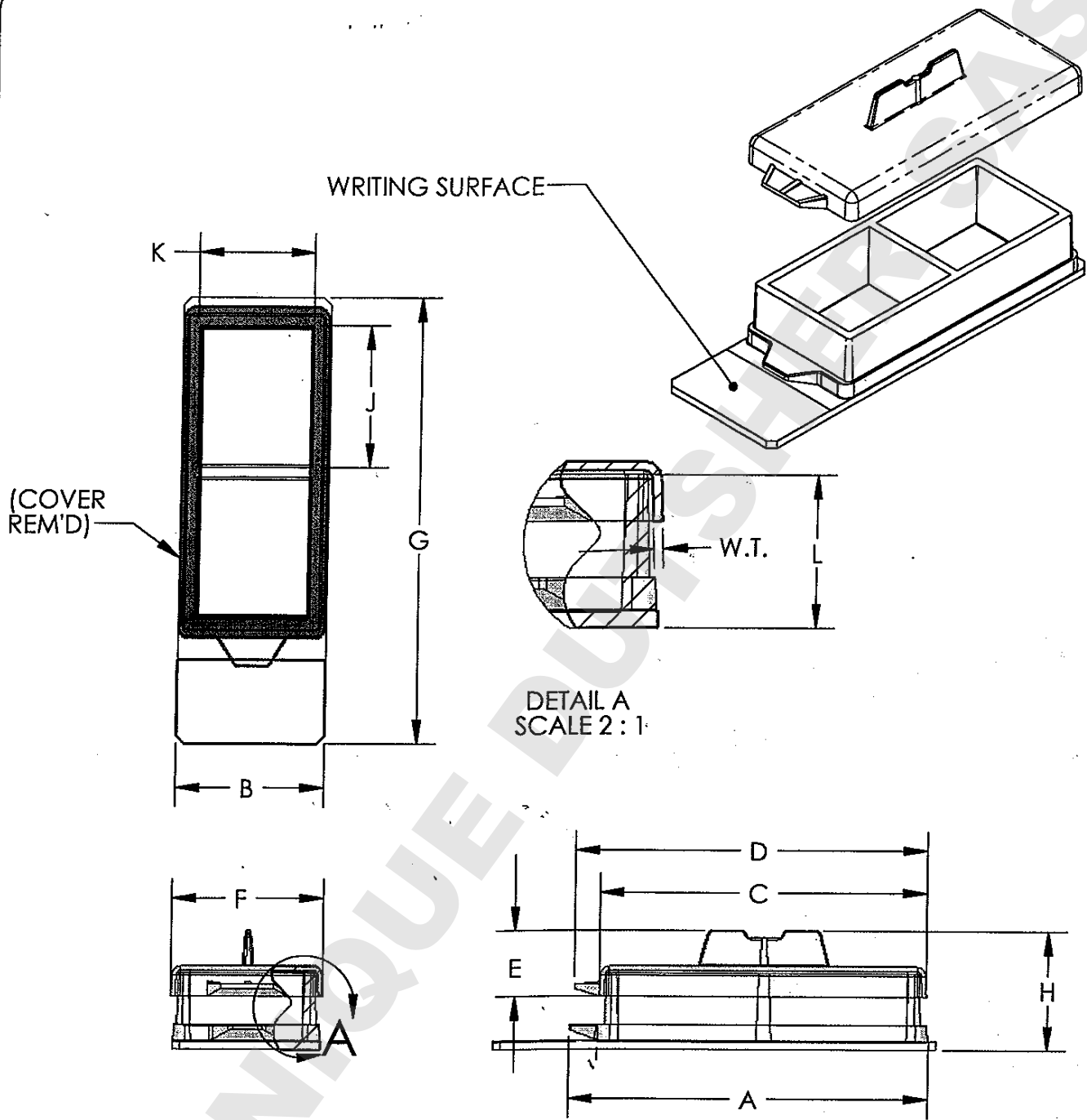
REV.	0207
------	------

DESCRIPTION:

LAB-TEK™ II 1-WELL STERILE CHAMBER SLIDES™

CATALOG NUMBER		154453	154739
GROWTH SURFACE		RS	CC <sup>2</sup> ™
WRITING SURFACE COLOR		WHITE	BLUE
NUMBER OF WELLS		1	
SUGGESTED WORKING VOLUME (ml)		2.0-4.5	
CULTURE AREA (cm <sup>2</sup> /WELL)		8.6	
MATERIAL	MEDIA CHAMBER	POLYSTYRENE	
	COVER	POLYSTYRENE	
	BOTTOM	SODA LIME GLASS	
		INCH	MM
A (MEDIA CHAMBER LENGTH)		2.38	60.5
B (GLASS WIDTH)		0.99	25.1
C (COVER LENGTH)		2.18	55.4
D (COVER PLUS TAB LENGTH)		2.36	59.9
E (COVER HEIGHT)		0.45	11.4
F (COVER WIDTH)		1.01	25.7
G (GLASS LENGTH)		2.94	74.7
H (OVERALL HEIGHT)		0.79	20.0
J (WELL LENGTH- TOP)		1.94	49.3
K (WELL WIDTH- TOP)		0.77	19.6
L (CHAMBER HEIGHT)		0.50	12.7
W.T. (COVER WALL THICKNESS)		0.03	0.76

1. ALL DIMENSIONS ARE NOMINAL AND IN INCHES AND MILLIMETERS UNLESS OTHERWISE NOTED.
2. THIS IS NOT A PRODUCTION DRAWING, BUT IS FOR INFORMATIONAL PURPOSES ONLY, AND IS SUBJECT TO CHANGE WITHOUT NOTICE.



SPECS ON BACK

NOT TO SCALE

**CONFIDENTIAL**

THIS PRODUCT SPECIFICATION SHEET CONTAINS CONFIDENTIAL AND/OR PROPRIETARY INFORMATION AND IS TO BE USED ONLY FOR THE EXPRESSED PURPOSES AGREED UPON BY AN AUTHORIZED OFFICER OF THERMO FISHER SCIENTIFIC.

**ThermoFisher  
SCIENTIFIC**

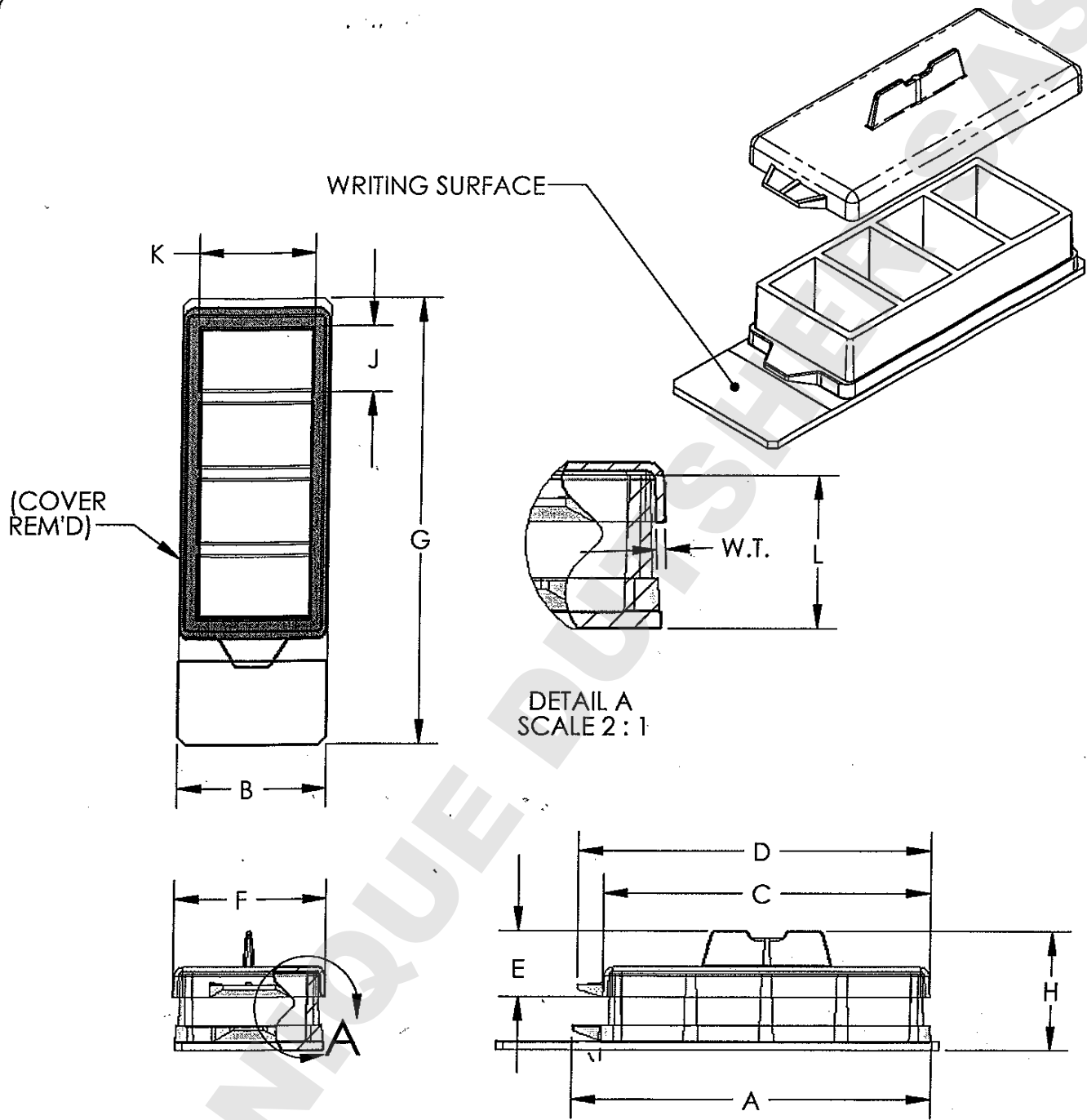
Thermo Fisher Scientific  
75 Panorama Creek Drive  
Rochester, NY 14625-2385, USA

MADE JDD	APFD <i>[Signature]</i>	PSS 154XXX	REV. 0207
CKD Kowd	2/7/07		

DESCRIPTION: LAB-TEK™ II 2-WELL STERILE CHAMBER SLIDES™

CATALOG NUMBER		154461	154852
GROWTH SURFACE		RS	CC <sup>2</sup> ™
WRITING SURFACE COLOR		WHITE	BLUE
NUMBER OF WELLS		2	
SUGGESTED WORKING VOLUME (ml)		1.0-2.0	
CULTURE AREA (cm <sup>2</sup> /WELL)		4.0	
MATERIAL	MEDIA CHAMBER	POLYSTYRENE	
	COVER	POLYSTYRENE	
	BOTTOM	SODA LIME GLASS	
		INCH	MM
A (MEDIA CHAMBER LENGTH)		2.38	60.5
B (GLASS WIDTH)		0.99	25.1
C (COVER LENGTH)		2.18	55.4
D (COVER PLUS TAB LENGTH)		2.36	59.9
E (COVER HEIGHT)		0.45	11.4
F (COVER WIDTH)		1.01	25.7
G (GLASS LENGTH)		2.94	74.7
H (OVERALL HEIGHT)		0.79	20.0
J (WELL LENGTH- TOP)		0.94	23.9
K (WELL WIDTH- TOP)		0.77	19.6
L (CHAMBER HEIGHT)		0.50	12.7
W.T. (COVER WALL THICKNESS)		0.03	0.76

1. ALL DIMENSIONS ARE NOMINAL AND IN INCHES AND MILLIMETERS UNLESS OTHERWISE NOTED.
2. THIS IS NOT A PRODUCTION DRAWING, BUT IS FOR INFORMATIONAL PURPOSES ONLY, AND IS SUBJECT TO CHANGE WITHOUT NOTICE.



SPECS ON BACK

NOT TO SCALE

**CONFIDENTIAL**

THIS PRODUCT SPECIFICATION SHEET CONTAINS CONFIDENTIAL AND/OR PROPRIETARY INFORMATION AND IS TO BE USED ONLY FOR THE EXPRESSED PURPOSES AGREED UPON BY AN AUTHORIZED OFFICER OF THERMO FISHER SCIENTIFIC.

**ThermoFisher  
SCIENTIFIC**

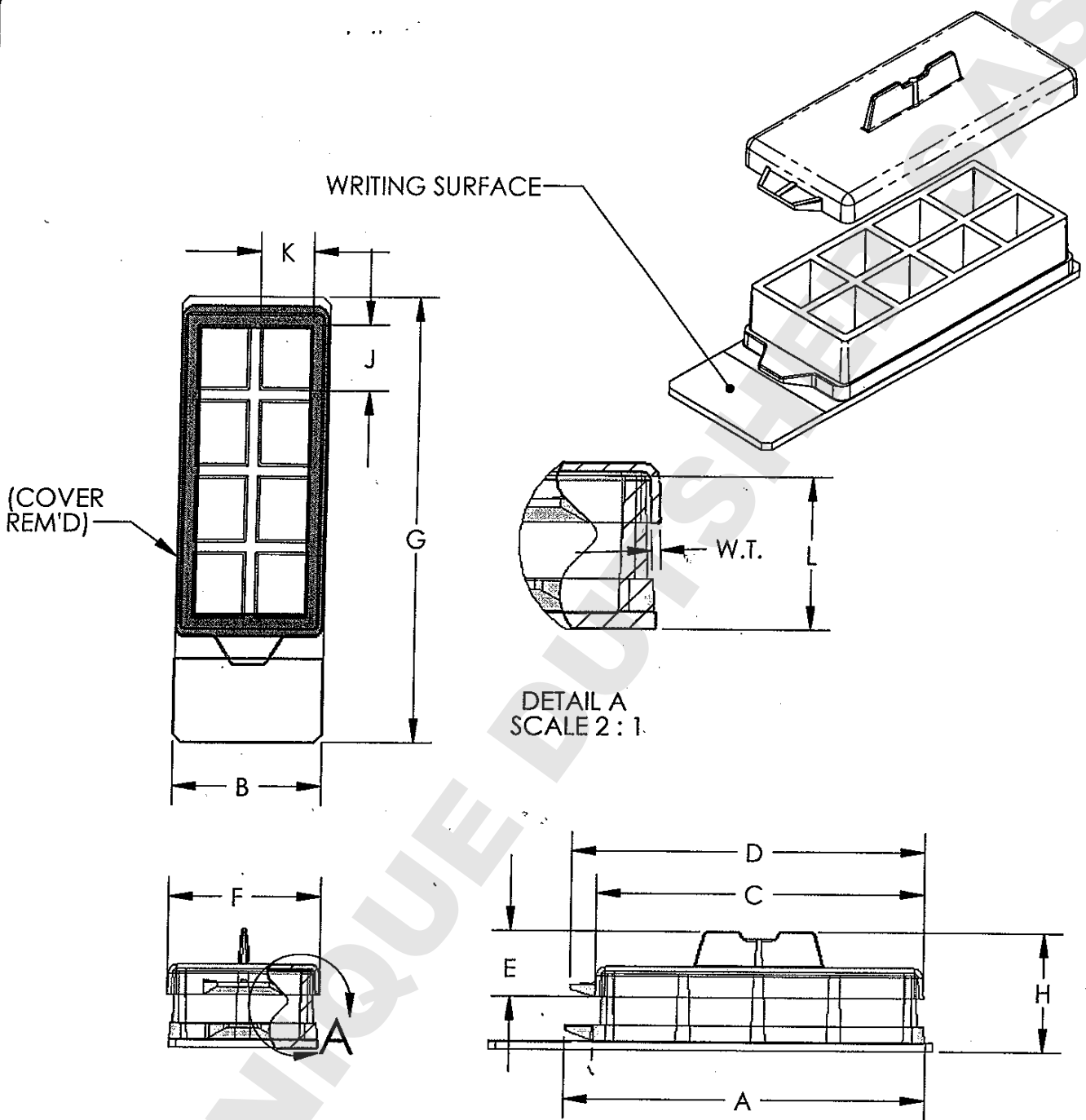
Thermo Fisher Scientific  
75 Panorama Creek Drive  
Rochester, NY 14625-2385, USA

MADE	JDD	APPROV	<i>[Signature]</i>	PSS 154YYY	REV.	0207
CKD	Kaw	DATE	2/7/07			

DESCRIPTION: LAB-TEK™ II 4-WELL STERILE CHAMBER SLIDES™

CATALOG NUMBER		154526	154917
GROWTH SURFACE		RS	CC <sup>2</sup> ™
WRITING SURFACE COLOR		WHITE	BLUE
NUMBER OF WELLS		4	
SUGGESTED WORKING VOLUME (ml)		0.5-1.0	
CULTURE AREA (cm <sup>2</sup> /WELL)		1.7	
MATERIAL	MEDIA CHAMBER	POLYSTYRENE	
	COVER	POLYSTYRENE	
	BOTTOM	SODA LIME GLASS	
		INCH	MM
A (MEDIA CHAMBER LENGTH)		2.38	60.5
B (GLASS WIDTH)		0.99	25.1
C (COVER LENGTH)		2.18	55.4
D (COVER PLUS TAB LENGTH)		2.36	59.9
E (COVER HEIGHT)		0.45	11.4
F (COVER WIDTH)		1.01	25.7
G (GLASS LENGTH)		2.94	74.7
H (OVERALL HEIGHT)		0.79	20.0
J (WELL LENGTH- TOP)		0.43	10.9
K (WELL WIDTH- TOP)		0.77	19.6
L (CHAMBER HEIGHT)		0.50	12.7
W.T. (COVER WALL THICKNESS)		0.03	0.76

1. ALL DIMENSIONS ARE NOMINAL AND IN INCHES AND MILLIMETERS UNLESS OTHERWISE NOTED.
2. THIS IS NOT A PRODUCTION DRAWING, BUT IS FOR INFORMATIONAL PURPOSES ONLY, AND IS SUBJECT TO CHANGE WITHOUT NOTICE.



SPECS ON BACK

NOT TO SCALE

**CONFIDENTIAL**

THIS PRODUCT SPECIFICATION SHEET CONTAINS CONFIDENTIAL AND/OR PROPRIETARY INFORMATION AND IS TO BE USED ONLY FOR THE EXPRESSED PURPOSES AGREED UPON BY AN AUTHORIZED OFFICER OF THERMO FISHER SCIENTIFIC.

**ThermoFisher**  
**SCIENTIFIC**

Thermo Fisher Scientific  
75 Panorama Creek Drive  
Rochester, NY 14625-2385, USA

MADE	JDD	APPR	<i>[Signature]</i>	PSS 154ZZZ	REV.	0207
CKD	Kuw		2/7/07			
DESCRIPTION: LAB-TEK™ II 8-WELL STERILE CHAMBER SLIDES™						

CATALOG NUMBER		154534	154941
GROWTH SURFACE		RS	CC <sup>2</sup> ™
WRITING SURFACE COLOR		WHITE	BLUE
NUMBER OF WELLS		8	
SUGGESTED WORKING VOLUME (ml)		0.2-0.5	
CULTURE AREA (cm <sup>2</sup> /WELL)		0.7	
MATERIAL	MEDIA CHAMBER	POLYSTYRENE	
	COVER	POLYSTYRENE	
	BOTTOM	SODA LIME GLASS	
		INCH	MM
A (MEDIA CHAMBER LENGTH)		2.38	60.5
B (GLASS WIDTH)		0.99	25.1
C (COVER LENGTH)		2.18	55.4
D (COVER PLUS TAB LENGTH)		2.36	59.9
E (COVER HEIGHT)		0.45	11.4
F (COVER WIDTH)		1.01	25.7
G (GLASS LENGTH)		2.94	74.7
H (OVERALL HEIGHT)		0.79	20.0
J (WELL LENGTH- TOP)		0.43	10.9
K (WELL WIDTH- TOP)		0.35	8.9
L (CHAMBER HEIGHT)		0.50	12.7
W.T. (COVER WALL THICKNESS)		0.03	0.76

1. ALL DIMENSIONS ARE NOMINAL AND IN INCHES AND MILLIMETERS UNLESS OTHERWISE NOTED.
2. THIS IS NOT A PRODUCTION DRAWING, BUT IS FOR INFORMATIONAL PURPOSES ONLY, AND IS SUBJECT TO CHANGE WITHOUT NOTICE.