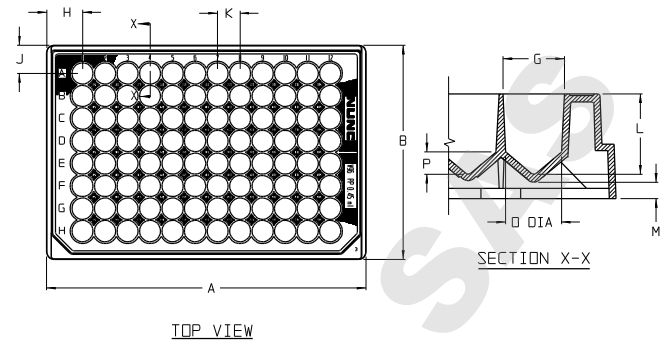


CATALOG NUMBER.....	SEE BELOW	
NOM. CAP. (uL).....	450	
MATERIAL.....	PP	
	INCH	MM
A (BASE LENGTH).....	5.030	127.76
B (BASE WIDTH).....	3.365	85.47
C (TOP LENGTH).....	4.85	123.3
D (TOP WIDTH).....	3.20	81.2
E (FLANGE LONG SIDE).....	0.30	7.5
F (OVERALL HEIGHT).....	0.57	14.4
G DIA.....	0.40	8.5
H (A-1 LOCATION) (X).....	0.57	14.4
J (A-1 LOCATION) (Y).....	0.44	11.2
K (WELL-TO-WELL SPACING).....	0.35	9.0
L (WELL DEPTH).....	0.43	11.0
M (BOTTOM OF WELL DISTANCE).....	.10	2.5
N (FLANGE SHORT SIDE).....	.09	2.3
O (WELL DIA, BTM OF CYL).....	.30	7.6
P (WELL CONICAL DEPTH).....	.12	3.0

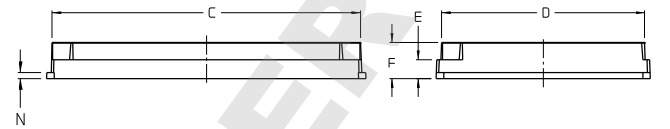
CATALOG NUMBER	COLOR	STERILE	UNITS PER PACK/CASE
249944	NATURAL	NO	20/120
249946	NATURAL	YES	20/120
249945	BLACK	NO	20/120
249949	WHITE	NO	20/120
249943	RED	NO	20/120
249947	YELLOW	NO	20/120
249950	BLUE	NO	20/120

NOTES:

1. ALL DIMENSIONS ARE NOMINAL AND IN INCHES AND MILLIMETERS UNLESS OTHERWISE NOTED.
2. THIS IS NOT A PRODUCTION DRAWING, BUT IS FOR INFORMATIONAL PURPOSES ONLY, AND IS SUBJECT TO CHANGE WITHOUT NOTICE.



TOP VIEW



SPECS ON BACK

NOT TO SCALE

CONFIDENTIAL

THIS PRODUCT SPECIFICATION SHEET CONTAINS CONFIDENTIAL AND/OR PROPRIETARY INFORMATION AND IS TO BE USED ONLY FOR THE EXPRESSED PURPOSES AGREED UPON BY AN AUTHORIZED OFFICER OF THERMO FISHER SCIENTIFIC.

**ThermoFisher
SCIENTIFIC**

Thermo Fisher Scientific
75 Panoramo Creek Drive
Rochester, NY 14625-2385, USA

DATE: JDD	APP'D: pvc	PSS 2499XX	REV: 0505
DATE: 6/29/05	DATE: 6/29/05		
DESCRIPTION: 96-WELL, PP, "V-BOTTOM" PLATE (NON-TREATED)			

DOMINIQUE DUT...