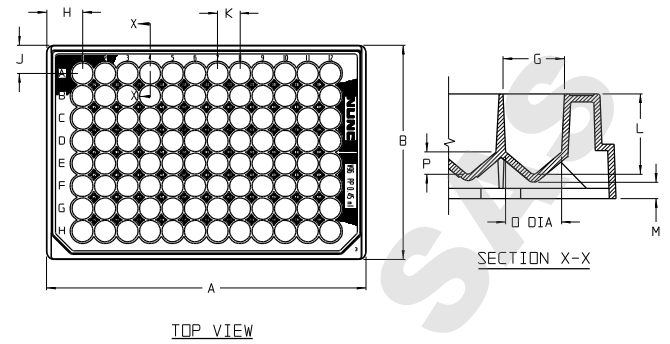


|                                  |           |        |
|----------------------------------|-----------|--------|
| CATALOG NUMBER.....              | SEE BELOW |        |
| NDM. CAP. (uL).....              | 450       |        |
| MATERIAL.....                    | PP        |        |
|                                  | INCH      | MM     |
| A (BASE LENGTH).....             | 5.030     | 127.76 |
| B (BASE WIDTH).....              | 3.365     | 85.47  |
| C (TOP LENGTH).....              | 4.85      | 123.3  |
| D (TOP WIDTH).....               | 3.20      | 81.2   |
| E (FLANGE LONG SIDE).....        | 0.30      | 7.5    |
| F (OVERALL HEIGHT).....          | 0.57      | 14.4   |
| G DIA.....                       | 0.40      | 8.5    |
| H (A-1 LOCATION) (X).....        | 0.57      | 14.4   |
| J (A-1 LOCATION) (Y).....        | 0.44      | 11.2   |
| K (WELL-TO-WELL SPACING).....    | 0.35      | 9.0    |
| L (WELL DEPTH).....              | 0.43      | 11.0   |
| M (BOTTOM OF WELL DISTANCE)..... | .10       | 2.5    |
| N (FLANGE SHORT SIDE).....       | .09       | 2.3    |
| O (WELL DIA, BTM OF CYL).....    | .30       | 7.6    |
| P (WELL CONICAL DEPTH).....      | .12       | 3.0    |

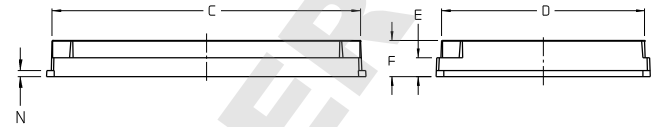
| CATALOG NUMBER | COLOR   | STERILE | UNITS PER PACK/CASE |
|----------------|---------|---------|---------------------|
| 249944         | NATURAL | NO      | 20/120              |
| 249946         | NATURAL | YES     | 20/120              |
| 249945         | BLACK   | NO      | 20/120              |
| 249949         | WHITE   | NO      | 20/120              |
| 249943         | RED     | NO      | 20/120              |
| 249947         | YELLOW  | NO      | 20/120              |
| 249950         | BLUE    | NO      | 20/120              |

NOTES:

1. ALL DIMENSIONS ARE NOMINAL AND IN INCHES AND MILLIMETERS UNLESS OTHERWISE NOTED.
2. THIS IS NOT A PRODUCTION DRAWING, BUT IS FOR INFORMATIONAL PURPOSES ONLY, AND IS SUBJECT TO CHANGE WITHOUT NOTICE.



TOP VIEW



SPECS ON BACK

NOT TO SCALE

CONFIDENTIAL

THIS PRODUCT SPECIFICATION SHEET CONTAINS CONFIDENTIAL AND/OR PROPRIETARY INFORMATION AND IS TO BE USED ONLY FOR THE EXPRESSED PURPOSES AGREED UPON BY AN AUTHORIZED OFFICER OF THERMO FISHER SCIENTIFIC.

**ThermoFisher**  
**SCIENTIFIC**

Thermo Fisher Scientific  
75 Panoramo Creek Drive  
Rochester, NY 14625-2385, USA

|  |               |            |           |
|--|---------------|------------|-----------|
| DATE: JDD  | APP'D: PVC    | PSS 2499XX | REV: 0505 |
| DATE: 6/29/05  | DATE: 6/29/05 |            |           |
| DESCRIPTION: 96-WELL, PP, "V-BOTTOM" PLATE (NON-TREATED) |               |            |           |

DOMINIQUE DUTY