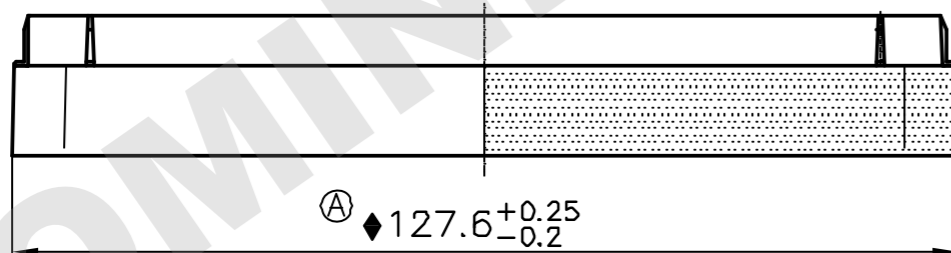
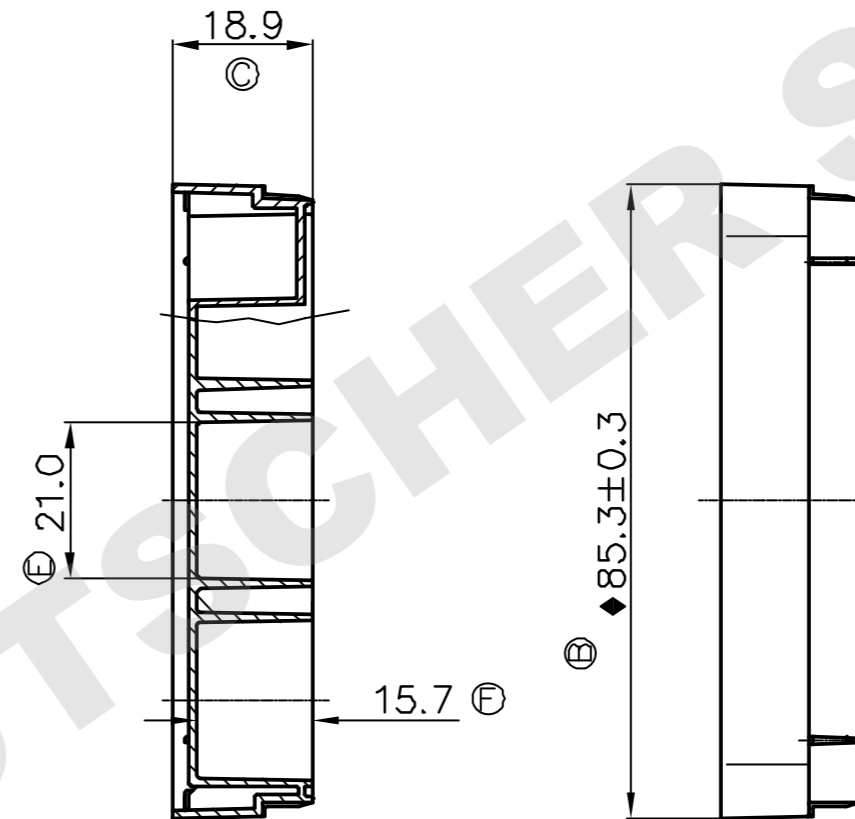


Section AA



Tolerances unless otherwise specified:
 Without decimal: ±0.5 mm
 1 place decimal: ±0.1 mm
 2 place decimal: ±0.05 mm

Undefined radius: R 0.20 mm
 General draft angle 1.5°

ThermoFisher
 SCIENTIFIC

Roskilde Site · Kamstrupvej 90 · P.O.Box 280
 DK-4000 Roskilde · Denmark
 Tel +45 4631 2000 · Fax +45 4631 2042
 E-mail: info.nunc@thermofisher.com

www.nuncbrand.com

SUBJECT: Bottom part for Multidish 12		DRAWN BY/DATE: LNE/01.09.00	CHANGE ORDER NO.:CC-181	VALID FROM: 2008.01.29	APPROVED BY/DATE: HES 2008.01.22	FORMAT: A3
ITEM NUMBER:	MATERIAL: PS	DRAWING NO.:2741	VERSION: 10	PAGE YPL: -C	SCALE: 1:1	ME: RJC