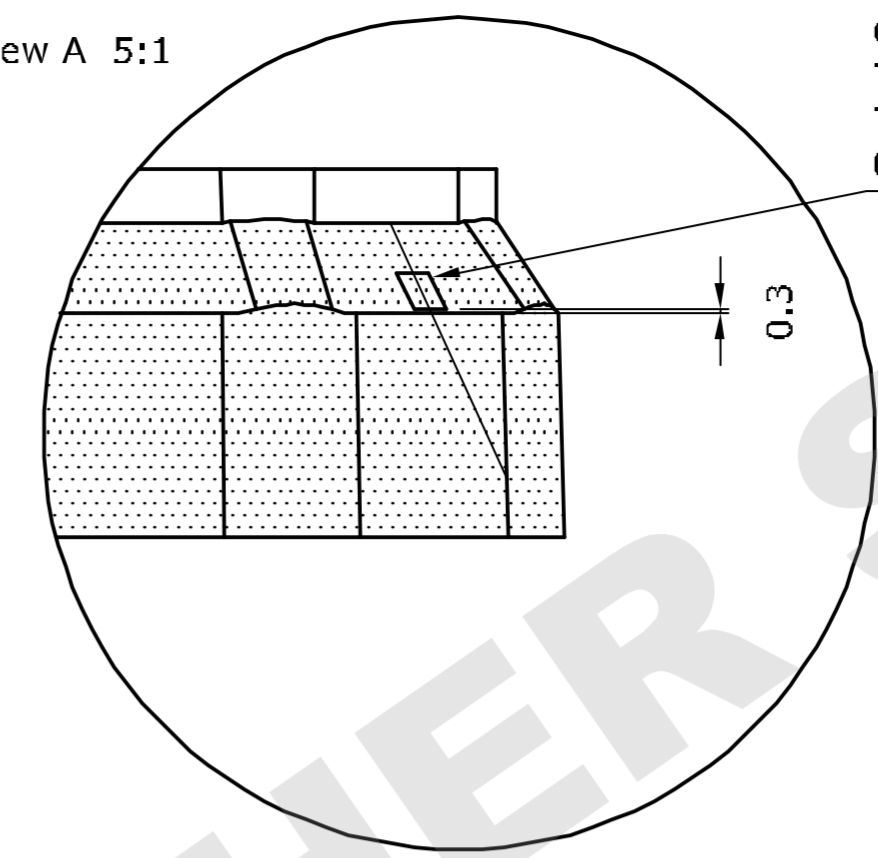
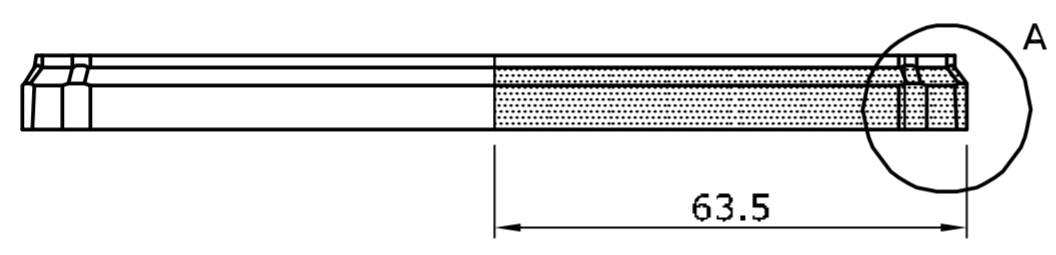


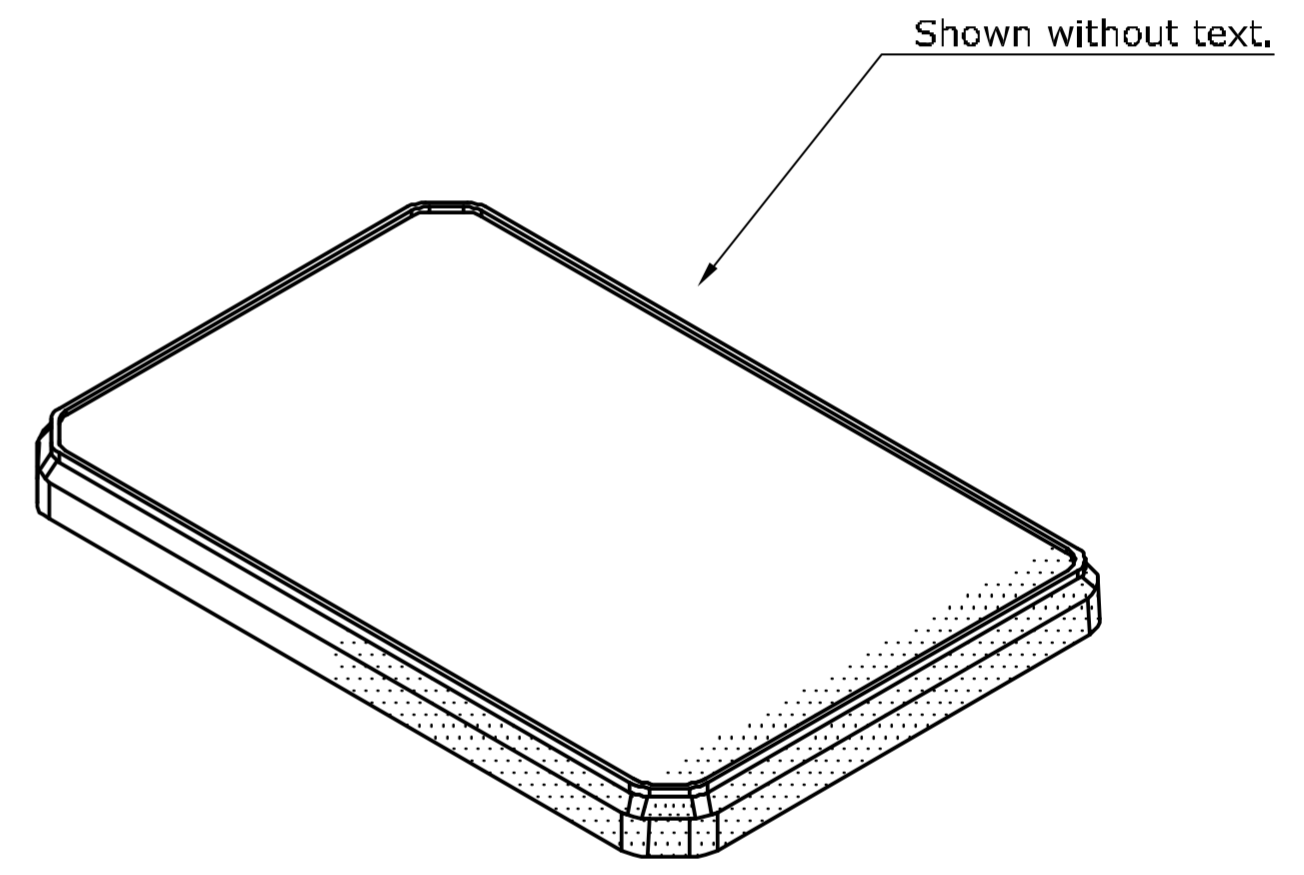
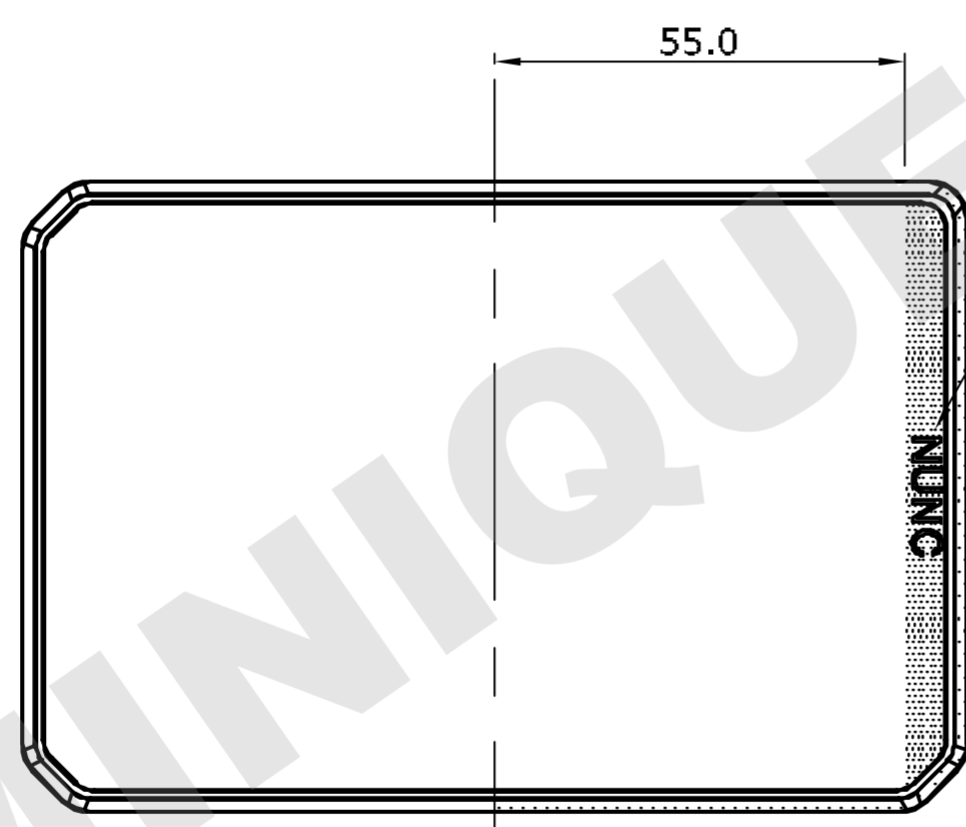
View A 5:1



Cavity number
Text style: Helvetica Medium
Text size: 1mm
0.05 positive

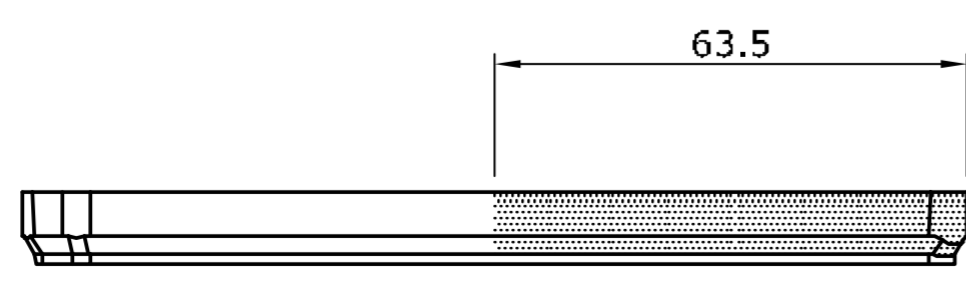
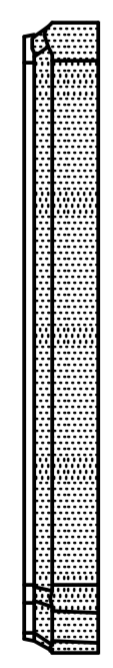
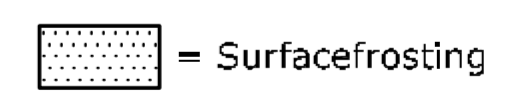


NUNC logo to be polished
Text style: Helvetica Medium
Text size: 4 mm
0.05 negative



Tolerances unless otherwise specified:
Without decimal: ± 0.5 mm
1 place decimal: ± 0.1 mm
2 place decimal: ± 0.05 mm

Undefined radius: R 0.20 mm
Surfacefrosting = Chamilles 25



DOMINIQUER DITSCHER SAS

Roskilde Site • Kamstrupvej 90 • P.O.Box 280 DK-4000 Roskilde • Denmark Tel +45 4631 2000 • Fax +45 4631 2042 E-mail: info.nunc@thermofisher.com		www.nuncbrand.com			
SUBJECT: MultiDish 6, Lid 2nd generation	DRAWN BY/DATE: JLL/17.09.01	CHANGE ORDER NO.:// CO-1:81	VALID FROM: 2007.12.05	APPROVED BY/DATE: JR2007.11.27	FORMAT: A2
J. AREA: PS	SCALE: 1:1 (5:1)	DRAWING NO.:// 3224	VERSION: 10	PAGE TYPE: -C	METRIC: [Symbol]