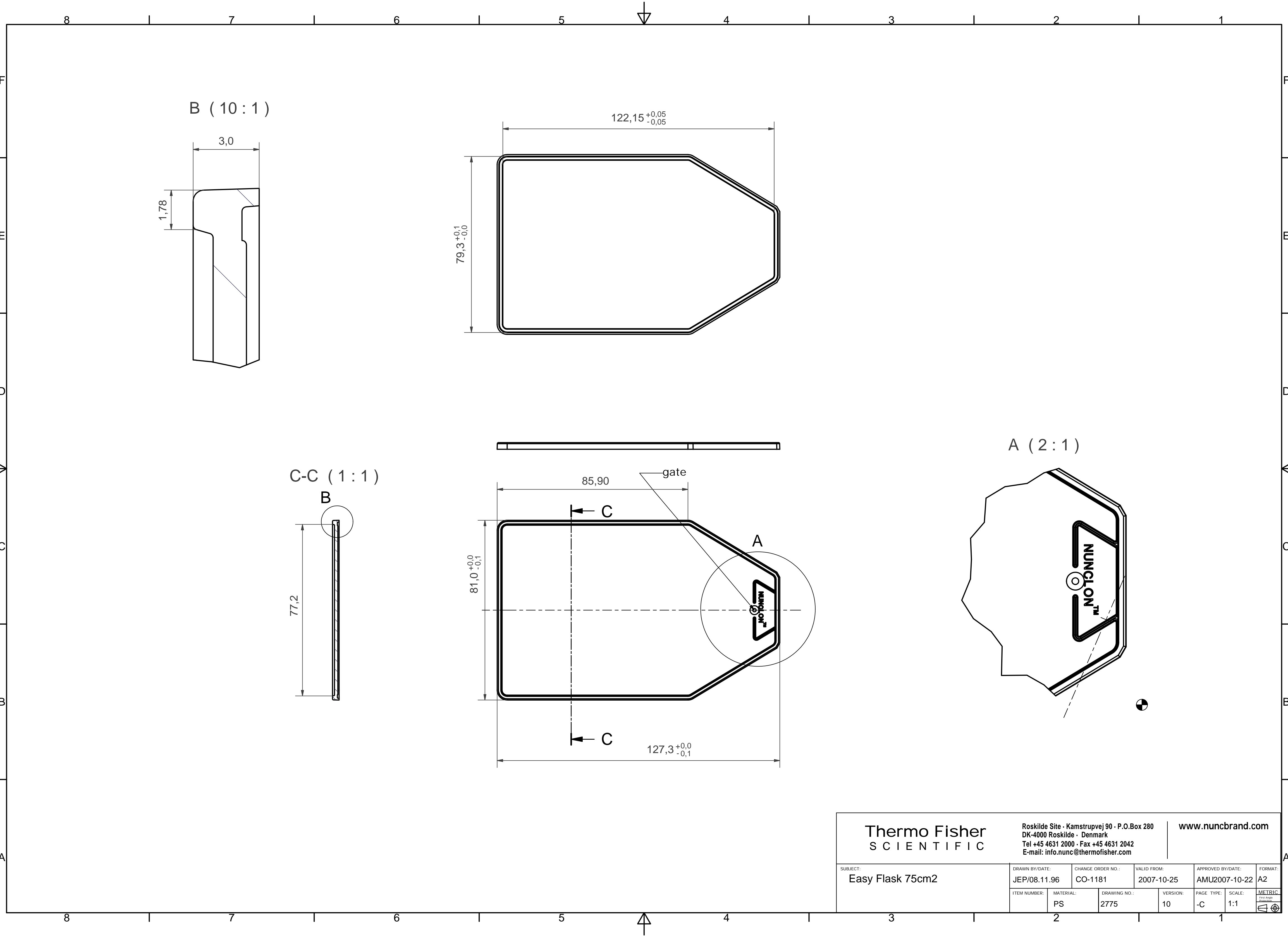


**Thermo Fisher**  
SCIENTIFIC

Roskilde Site · Kamstrupvej 90 · P.O.Box 280  
DK-4000 Roskilde · Denmark  
Tel +45 4631 2000 · Fax +45 4631 2042  
E-mail: info.nunc@thermofisher.com

[www.nuncbrand.com](http://www.nuncbrand.com)

SUBJECT: Bottom part 75cm <sup>2</sup> flask NEWNUNC		DRAWN BY/DATE: HES/24.03.04	CHANGE ORDER NO.: CO-1181	VALID FROM: 2007-10-26	APPROVED BY/DATE: AMU2007-10-23	FORMAT: A3
ITEM NUMBER:	MATERIAL: PS	DRAWING NO.: 2774	VERSION: 10	PAGE TYPE: -C	SCALE: 1:1	METRIC First Angle Production



<b>Thermo Fisher</b> SCIENTIFIC		Roskilde Site - Kamstrupvej 90 · P.O.Box 280 DK-4000 Roskilde · Denmark Tel +45 4631 2000 · Fax +45 4631 2042 E-mail: info.nunc@thermofisher.com			<a href="http://www.nuncbrand.com">www.nuncbrand.com</a>	
		SUBJECT: Easy Flask 75cm2	DRAWN BY/DATE: JEP/08.11.96	CHANGE ORDER NO.: CO-1181	VALID FROM: 2007-10-25	APPROVED BY/DATE: AMU2007-10-22
ITEM NUMBER: PS	MATERIAL: PS	DRAWING NO.: 2775	VERSION: 10	PAGE TYPE: -C	SCALE: 1:1	METRIC 