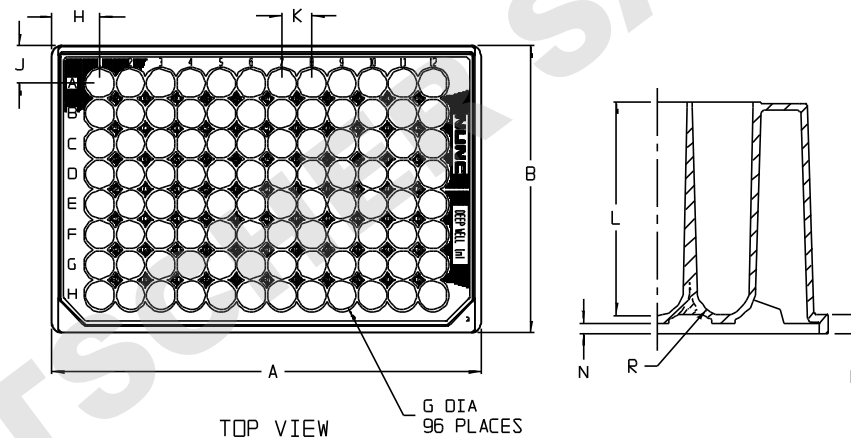


CATALOG NUMBER.....	26025X	
NOM. CAP. (mL).....	1.30	
MATERIAL.....	PP	
	INCH	MM
A (BASE LENGTH).....	5.030	127.76
B (BASE WIDTH).....	3.365	85.47
C (TOP LENGTH).....	4.98	126.4
D (TOP WIDTH).....	3.32	84.3
E (FLANGE HEIGHT).....	0.10	2.5
F (OVERALL HEIGHT).....	1.25	31.6
G (DIA).....	0.33	8.4
H (A-1 LOCATION) (X).....	0.57	14.4
J (A-1 LOCATION) (Y).....	0.44	11.2
K (WELL TO WELL SPACING).....	0.35	9.0
L (DEPTH OF WELL).....	1.15	29.1
M (FLANGE TO FLANGE VERTICAL).....	1.19	30.2
N (BTM OF WELL TO RESTING PLANE).....	0.06	1.4
R (BTM OF INNER WELL RADIUS).....	0.14	3.6

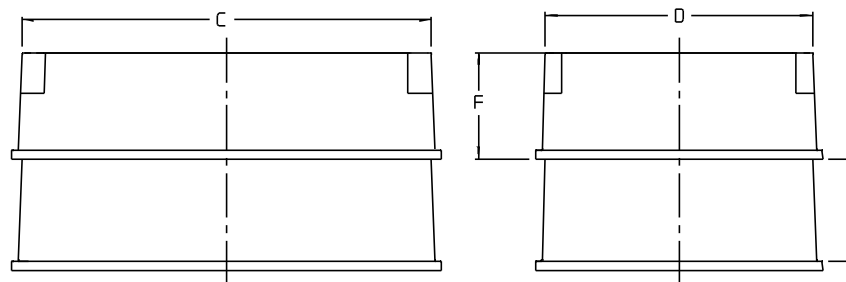
PART NUMBER	COLOR
260251	NATURAL
260252	NATURAL

NOTES:

1. ALL DIMENSIONS ARE NOMINAL AND IN INCHES AND MILLIMETERS UNLESS OTHERWISE NOTED.
2. THIS IS NOT A PRODUCTION DRAWING, BUT IS FOR INFORMATIONAL PURPOSES ONLY, AND IS SUBJECT TO CHANGE WITHOUT NOTICE.



TOP VIEW G DIA 96 PLACES



SPECS ON BACK

NOT TO SCALE

CONFIDENTIAL

THIS PRODUCT SPECIFICATION SHEET CONTAINS CONFIDENTIAL AND/OR PROPRIETARY INFORMATION AND IS TO BE USED ONLY FOR THE EXPRESSED PURPOSES AGREED UPON BY AN AUTHORIZED OFFICER OF THERMO FISHER SCIENTIFIC.

ThermoFisher
SCIENTIFIC

Thermo Fisher Scientific
75 Panorama Creek Drive
Rochester, NY 14625-2385, USA

MADE	PB	APP'D	PVC		REV.	0204
DC'd	2/17/04	2/17/04		PSS 26025X		

DESCRIPTION:
96 WELL, PP, RECEPTION PLATE