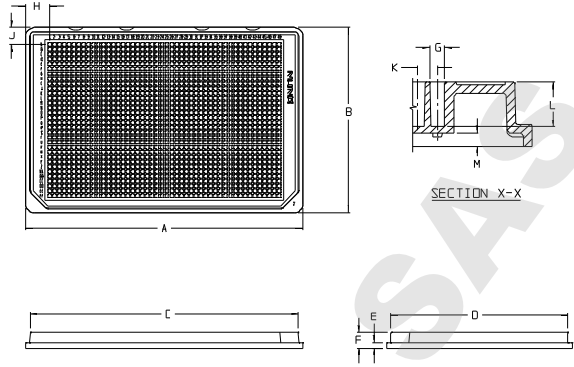


CATALOG NUMBER.....	SEE BELOW	
NDM. CAP. (uL).....	13.4	
MATERIAL.....	PS	
	INCH	MM
A (BASE LENGTH).....	5.03	127.8
B (BASE WIDTH).....	3.37	85.5
C (TOP LENGTH).....	4.87	123.7
D (TOP WIDTH).....	3.22	81.7
E (FLANGE HEIGHT).....	0.10	2.5
F (OVERALL HEIGHT).....	0.29	7.4
G (WELL WIDTH).....	0.07	1.7
H (A-I LOCATION) (X).....	0.43	11.0
J (A-I LOCATION) (Y).....	0.31	7.9
K (WELL-TO-WELL SPACING).....	0.09	2.2
L (WELL DEPTH).....	0.20	5.1
M (BOTTOM OF WELL DISTANCE).....	0.06	1.5
S (STACKED - NO LIDS).....	.535	13.6

CATALOG NUMBER	SURFACE	COLOR	STERILE	WITH LID*	UNITS/PK/CASE
253614	NDN-TREATED	CLEAR	NO	NO	30/90
253607	NDN-TREATED	WHITE	NO	NO	30/90
253601	NDN-TREATED	BLACK	NO	NO	30/90
453603	MAXISORP™	BLACK	NO	NO	30/90

NOTES:

1. ALL DIMENSIONS ARE NOMINAL AND IN INCHES AND MILLIMETERS UNLESS OTHERWISE NOTED.
2. THIS IS NOT A PRODUCTION DRAWING, BUT IS FOR INFORMATIONAL PURPOSES ONLY, AND IS SUBJECT TO CHANGE WITHOUT NOTICE.



SPECS ON BACK

NOT TO SCALE

CONFIDENTIAL

THIS PRODUCT SPECIFICATION SHEET CONTAINS CONFIDENTIAL AND/OR PROPRIETARY INFORMATION AND IS TO BE USED ONLY FOR THE EXPRESSED PURPOSES AGREED UPON BY AN AUTHORIZED OFFICER OF THERMO FISHER SCIENTIFIC.

ThermoFisher
SCIENTIFIC

Thermo Fisher Scientific
75 Panorama Creek Drive
Rochester, NY 14625-2385, USA

DATE	JDD	APP'D	PVC	REV.	0207
DATE	PVC	DATE	2/16/07	DESCRIPTION	

PSS X536XX

DESCRIPTION: 1536 WELL, PS, FLAT BOTTOM PLATE

DOMINIQUE DUTY