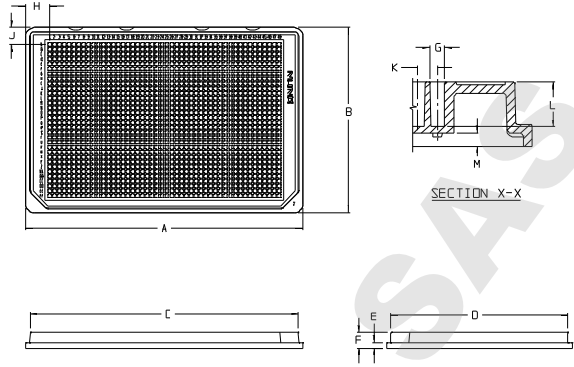


CATALOG NUMBER.....	SEE BELOW	
NDM CAP. (uL).....	13.4	
MATERIAL.....	PS	
	INCH	MM
A (BASE LENGTH).....	5.03	127.8
B (BASE WIDTH).....	3.37	85.5
C (TOP LENGTH).....	4.87	123.7
D (TOP WIDTH).....	3.22	81.7
E (FLANGE HEIGHT).....	0.10	2.5
F (OVERALL HEIGHT).....	0.29	7.4
G (WELL WIDTH).....	0.07	1.7
H (A-I LOCATION) (X).....	0.43	11.0
J (A-I LOCATION) (Y).....	0.31	7.9
K (WELL-TO-WELL SPACING).....	0.09	2.2
L (WELL DEPTH).....	0.20	5.1
M (BOTTOM OF WELL DISTANCE).....	0.06	1.5
S (STACKED - NO LIDS).....	.535	13.6

CATALOG NUMBER	SURFACE	COLOR	STERILE	WITH LID*	UNITS/PK/CASE
253614	NDN-TREATED	CLEAR	NO	NO	30/90
253607	NDN-TREATED	WHITE	NO	NO	30/90
253601	NDN-TREATED	BLACK	NO	NO	30/90
453603	MAXISORP™	BLACK	NO	NO	30/90

NOTES:

1. ALL DIMENSIONS ARE NOMINAL AND IN INCHES AND MILLIMETERS UNLESS OTHERWISE NOTED.
2. THIS IS NOT A PRODUCTION DRAWING, BUT IS FOR INFORMATIONAL PURPOSES ONLY, AND IS SUBJECT TO CHANGE WITHOUT NOTICE.



SPECS ON BACK

NOT TO SCALE

CONFIDENTIAL

THIS PRODUCT SPECIFICATION SHEET CONTAINS CONFIDENTIAL AND/OR PROPRIETARY INFORMATION AND IS TO BE USED ONLY FOR THE EXPRESSED PURPOSES AGREED UPON BY AN AUTHORIZED OFFICER OF THERMO FISHER SCIENTIFIC.

**ThermoFisher  
SCIENTIFIC**

Thermo Fisher Scientific  
75 Panorama Creek Drive  
Rochester, NY 14625-2385, USA

DATE	JDD	APP'D	PVC	REV.	0207
DATE	PVC	DATE	2/16/07	DESCRIPTION	PSS X536XX

DESCRIPTION: 1536 WELL, PS, FLAT BOTTOM PLATE

DOMINIQUE DUTY