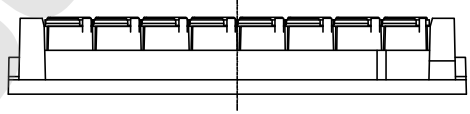
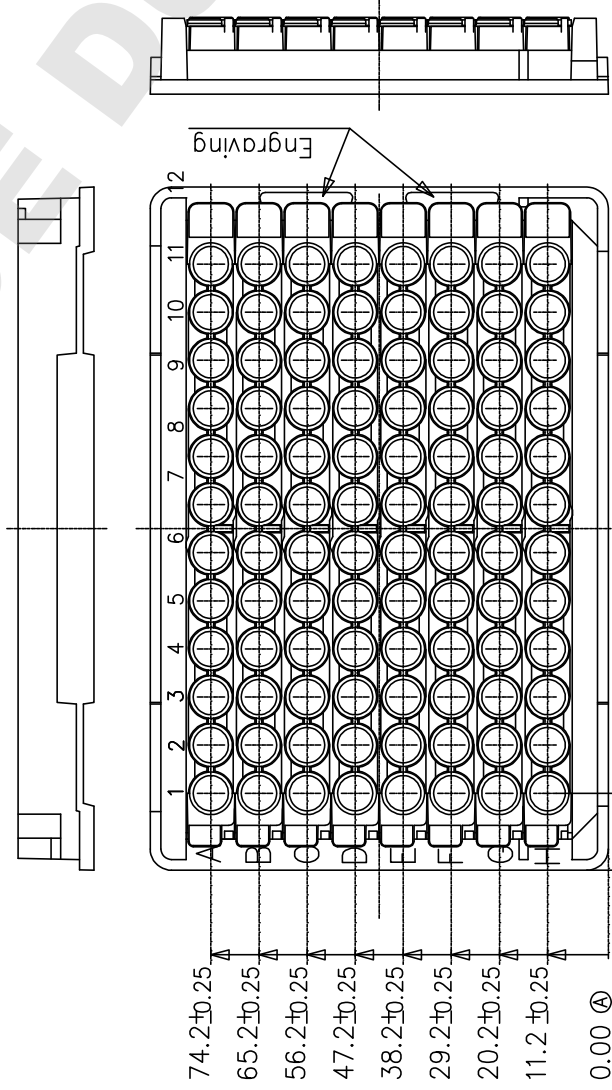
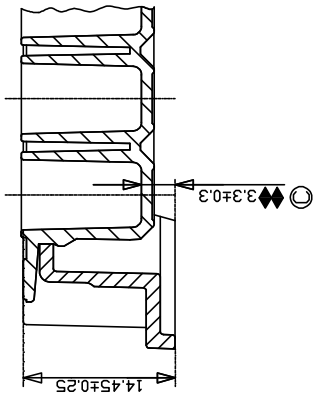


A-A  
2:1



**ThermoFisher**  
S C I E N T I F I C

Nunc A/S - Kamstrupvej 90 · P.O.Box 280  
DK-4000 Roskilde · Denmark  
Tel +45 4631 2000 · Fax +45 4631 2042  
E-mail: Info.nunc@thermofisher.com

www.thermoscientific.com

SUBJECT: Module C12 mounted in frame		DRAWING NO.: 2091	VERSION: 11-b	APPROVED BY/DATE: ROSLOL 2012.05.09	FORMAT: A3
DRAWING MODIFIED BY:	CHANGE ORDER NO.:	VALID FROM:	APPROVED BY/DATE:	PAGE TYPE:	METRIC
ITEM NUMBER:	MATERIAL:	2012.05.14	ROSLOL	-C	UNIT