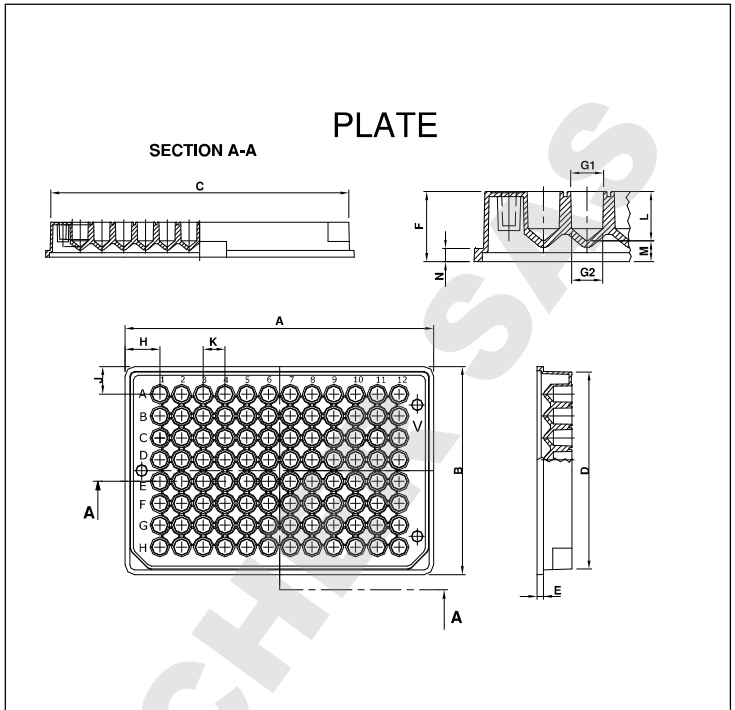


CATALOG NUMBER	SEE BELOW	
WORKING RANGE (µL)	50 – 250µL	
MATERIAL	PS	
	MM	INCH
A. BASE LENGTH	127.7	5.03
B. BASE WIDTH	85.7	3.37
C. TOP LENGTH	123.3	4.85
D. TOP WIDTH	81.2	3.20
E. FLANGE LONG SIDE	2.7	0.11
F. OVERALL HEIGHT	14.5	0.57
G1, DIA TOP	Ø6.8	Ø0.27
G2, DIA BOTTOM	Ø6.4	Ø0.25
H, A - I LOCATION (X)	14.4	0.57
J, A - I LOCATION (Y)	11.4	0.45
K, WELL TO WELL SPACING	9	0.35
L, WELL DEPTH	10.3	0.41
M, BOTTOM OF WELL DISTANCE	4.3	0.17
N, FLANGE SHORT SIDE	2.7	0.11

CATALOG NO	SURFACE	COLOR	STERILE	WITH LID*	UNITS/PK/CASE
249662	NON-TREATED	CLEAR	+	-	1/50

- NOTES:
- ALL DIMENSIONS ARE NOMINAL AND IN INCHES AND MILLIMETERS UNLESS OTHERWISE NOTED.
 - THIS IS NOT A PRODUCTION DRAWING, BUT IS FOR INFORMATION PURPOSES ONLY, AND IS SUBJECT TO CHANGE WITHOUT NOTICE.



	Roskilde Site • Kamstrupvej 90 • P.O.Box 280 DK-4000 Roskilde • Denmark Tel +45 4631 2000 • Fax +45 4631 2042 E-mail: Info.nunc@thermoFisher.com			www.nuncbrand.com
	SUBJECT: V96 MICROWELL PLATE, PS			
DRAWN BY/DATE:	CHANGE ORDER NO.:	VALID FROM:	APPROVED BY/DATE:	FORM:
ITEM NUMBER:	MATERIAL:	DRAWING NO.:	VERSION:	PAGE TYPE SCALE METRIC

CONFIDENTIAL

THIS PRODUCT SPECIFICATION SHEET CONTAINS CONFIDENTIAL AND/OR PROPRIETARY INFORMATION AND IS TO BE USED ONLY FOR THE EXPRESSED PURPOSES AGREED UPON BY AN AUTHORIZED OFFICER OF THERMO FISHER SCIENTIFIC